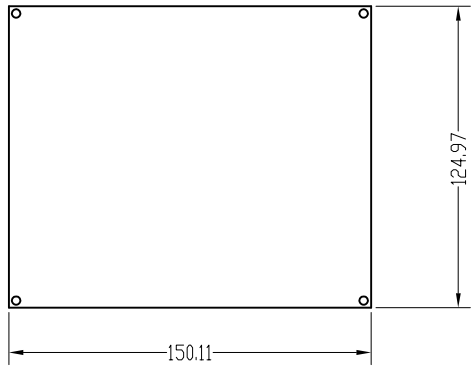
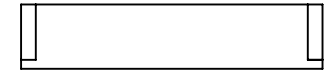
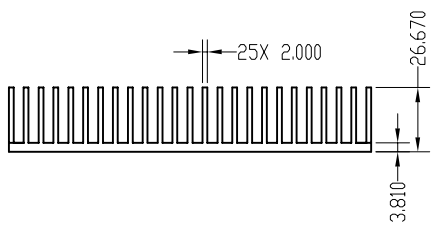
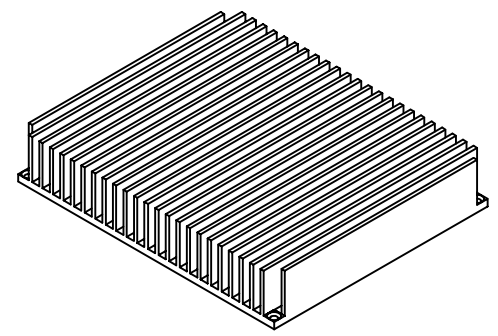
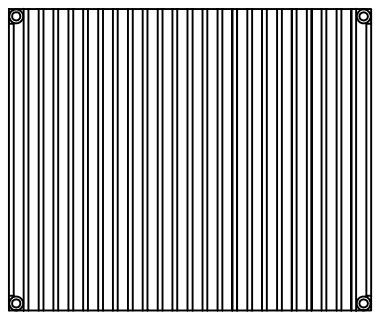


NOTICE - PROPRIETARY INFORMATION  
 THE DESIGN AND RELATED INFORMATION CONTAINED HEREIN  
 IS THE SOLE PROPERTY OF COFAN INC. THE DISCLOSURE  
 OF THIS INFORMATION DOES NOT CONSTITUTE THE RELEASE OF  
 ANY PROPRIETARY RIGHTS THEREIN. PERMISSION TO REPRODUCE  
 THIS INFORMATION OR THE PRODUCTS DISCLOSED HEREIN  
 MUST BE OBTAINED IN WRITING FROM COFAN INC.

REVISION HISTORY					
REV	DESCRIPTION	DRWN	CHK'D	APP'VD	DATE

- NOTES:
- MATERIAL: ALUMINUM 6063
  - FINISH: BLACK ANODIZE
  - DEBURR ALL SHARP EDGES
  - MARK PART NUMBER PER INFINERA DOC #050-0053-XXX, APPROXIMATELY WHERE SHOWN
  - PART WEIGHT: 579.8g
  - SECTION AREA: 214.742mm<sup>2</sup>



DO NOT SCALE DRAWING  
 UNLESS OTHERWISE SPECIFIED  
 DIMENSIONS ARE IN MILLIMETRE  
 TOLERANCES ARE:  
 1 PLACE .X ± 0.50  
 2 PLACE .XX ± 0.25  
 3 PLACE .XXX ± 0.12  
 ANGLES EXCEPT 90° ± 1°  
 MAXIMUM SURFACE ROUGHNESS 3.2 √

MATERIAL:	1	EXTRUSION SUPPLIER: He Chin	CUSTOMER DRAWING NUMBER: 541-0063-001 Rev 02		
FINISH:	2	CUSTOMER PART NUMBER: 541-0063-001 Rev 02	NAME: HEAT SINK, EDFA, DAM, DTC		
DRAWN BY:	Ajie	COFAN DRAWING NUMBER: 20-1129	SCALE: N/DN	CUS REV: 01	COF REV: A
APPR BY:		COFAN PART NUMBER: 20-1129	SHEET: 1 OF 1	DATE DRAWN: Sept-28-2005	

