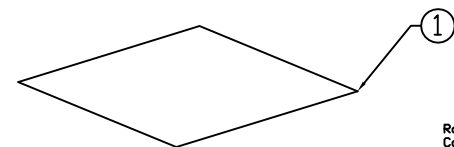
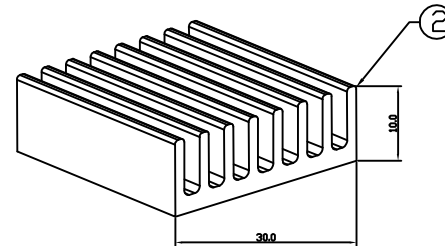
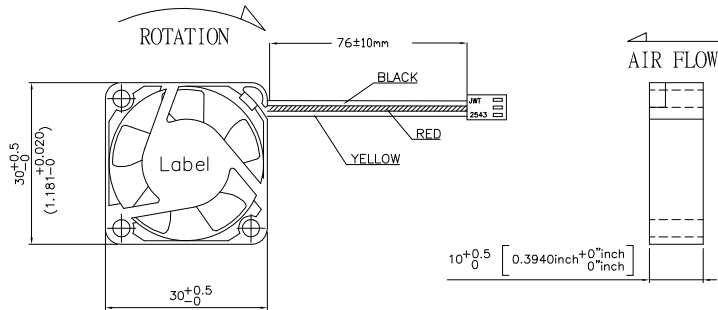
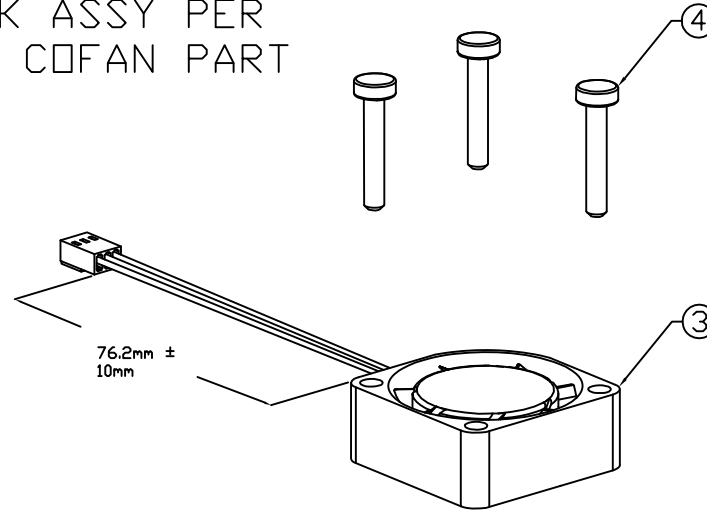


NOTICE - PROPRIETARY INFORMATION  
 THE DESIGN AND RELATED INFORMATION CONTAINED HEREIN IS THE SOLE PROPERTY OF COFAN INC. THE DISCLOSURE OF THIS INFORMATION DOES NOT CONSTITUTE THE RELEASE OF ANY PROPRIETARY RIGHTS THEREIN. PERMISSION TO REPRODUCE THIS INFORMATION OR THE PRODUCTS DISCLOSED HEREIN MUST BE OBTAINED IN WRITING FROM COFAN INC.

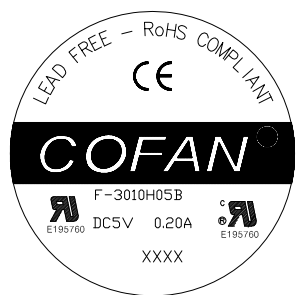
TO ORDER HEATSINK ASSY PER  
 THIS DRAWING USE COFAN PART  
 # 30-1115 Rev 01

NOTES:

1. Thermal Resistance 2.58°C/W including 3M Thermal Interface Material



RoHS  
 Complaint  
 2002/95/EC



THIS DOCUMENT IS CONFIDENTIAL AND PROPRIETARY TO COFAN USA, FREMONT, CA

FAN PARTS LIST

- |   |                                                                                 |
|---|---------------------------------------------------------------------------------|
| 1 | 1X FAN, F-3010H05BIII                                                           |
| 2 | 1X MOLEX HOUSING 22-01-3027 OR EQUIV.<br>3X MOLEX TERMINAL 08-50-0114 OR EQUIV. |

Value	Temp	25	30	40	50	60	70				
		AF	45.25	32	16	8	4	2			
ESTIMATED MTF		1801739	1274002	637011	318506	159253	79626				
ESTIMATED L10		257391	182003	91002	45501	22750	11375				
MODEL NO	RATED VOLTAGE V	OPERATING VOLTAGE V	RATED CURRENT A	ACTUAL CURRENT A	RATED POWER W	RATED SPEED RPM	MAX AIR FLOW		MAX PRESSURE		NOISE LEVEL dBA
F-3010H05BIII	5	4.5~5.5	0.20	0.19	1.00	10000	CMM	CFM	mmH <sub>2</sub> O	InH <sub>2</sub> O	31.6

RoHS  
 Complaint  
 2002/95/EC

4	Screw, M3x16, Steel, Phillips, Pan Head, Black Zinc	60-1019 Rev 01	3
3	Fan, 5V, 30x10mm, 2 Ball, 3Pin, Tach, 3"	F-3010H05BIII-06 Rev 01	1
2	Heatsink, 30x30x10mm, Black Anodized AL6063-T5	20-1120 Rev 01	1
1	3M8810, 30 x 30mm	70-1015 Rev 01	1
Item	Part Description	Part Number	Q'ty

DO NOT SCALE DRAWING		MATERIAL: 1		CUSTOMER DRAWING NUMBER: -		 1400 FULLTON PL. UNIT A FREMONT CA 94539	
UNLESS OTHERWISE SPECIFIED DIMENSIONS ARE IN MILLIMETRE TOLERANCES ARE:		FINISH: 2		CUSTOMER PART NUMBER: -		NAME: 30x30x20mm Active Heatsink	
1 PLACE .X	± 0.5	DRAWN BY:		COFAN DRAWING NUMBER: 30-1115		SCALE: 1:1	CUS REV: -
2 PLACE .XX	± 0.25	APPR BY:		COFAN PART NUMBER: 30-1115		DATE DRAWN: Jan-03-2008	COF REV: 01
3 PLACE .XXX	± 0.13					SHEET: 1 OF 1	
ANGLES EXCEPT 90°	± 1°						
MAXIMUM SURFACE ROUGHNESS	125√						