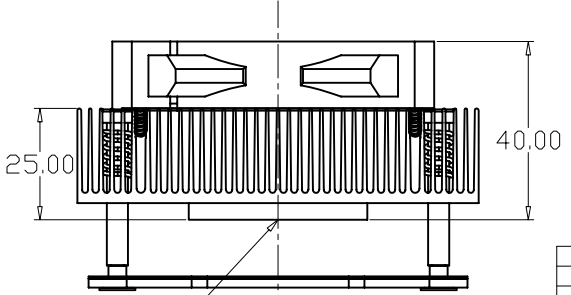
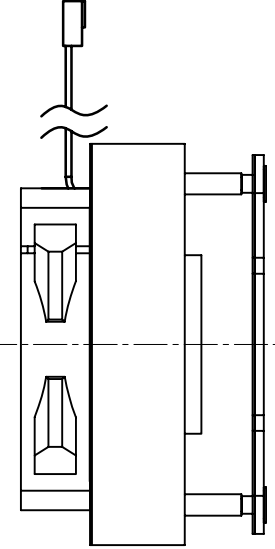
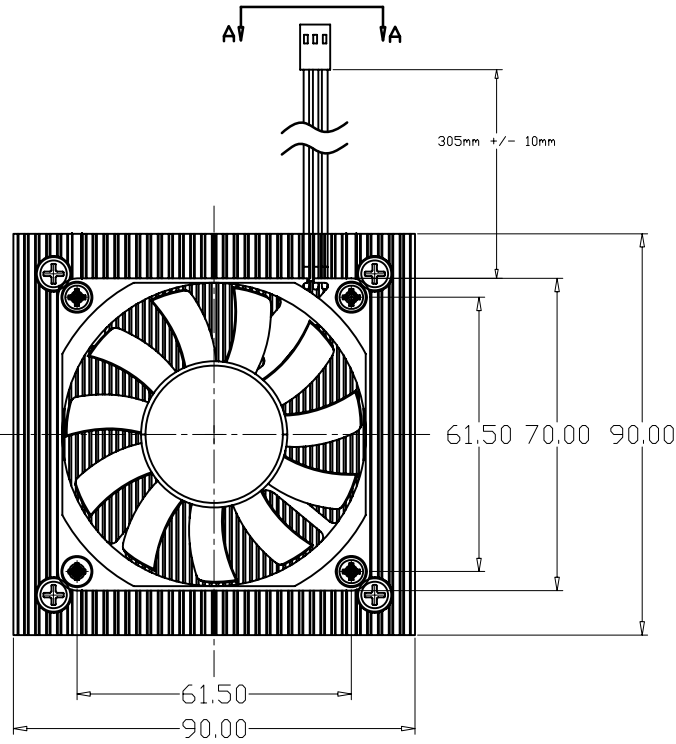
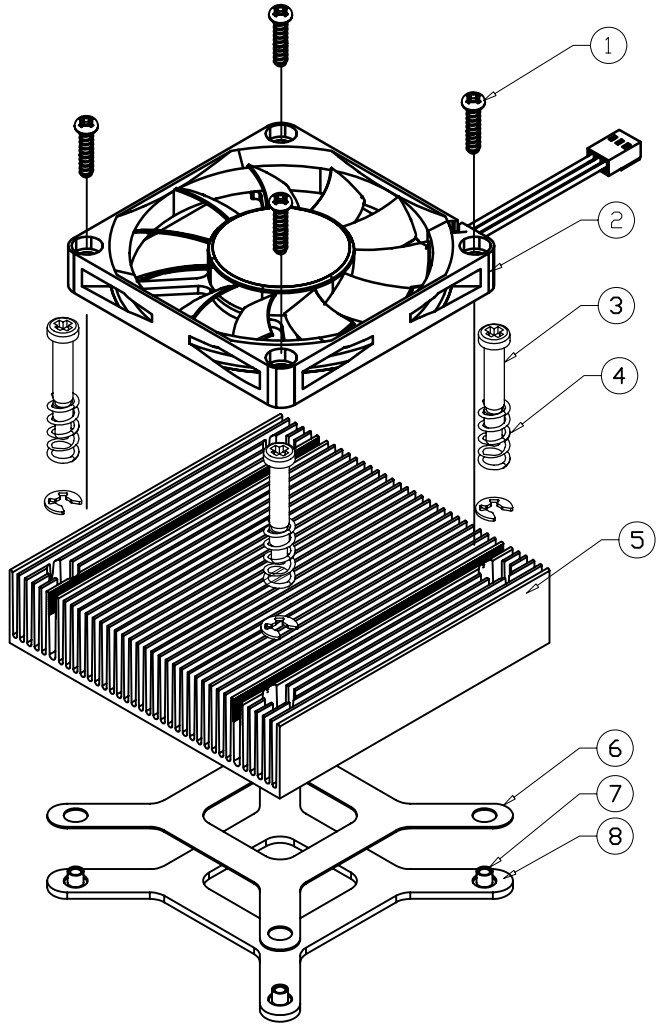


NOTICE - PROPRIETARY INFORMATION
 THE DESIGN AND RELATED INFORMATION CONTAINED HEREIN IS THE SOLE PROPERTY OF COFAN INC. THE DISCLOSURE OF THIS INFORMATION DOES NOT CONSTITUTE THE RELEASE OF ANY PROPRIETARY RIGHTS THEREIN. PERMISSION TO REPRODUCE THIS INFORMATION OR THE PRODUCTS DISCLOSED HEREIN MUST BE OBTAINED IN WRITING FROM COFAN INC.



A-A



ITEM	DESCRIPTION	COFAN P/N	REV	MATERIAL/Plating	QTY
9	THERMAL TAPE	70-1077	01	PHASE CHANGE TAPE, T-PCM585, 25x25x1.3mm	1
8	BACKING PLATE	20-1573	01	300 Series Stainless Steel/No Plating - Degrease Only	1
7	M3 PEM	50-1128	01	300 Series Stainless Steel/No Plating - Degrease Only	4
6	INSULATION	50-1222	01	0.5mm 3M TAPE	1
5	HEAT SINK	20-1572	01	Aluminum 6063-T5	1
4	SPRING	50-1223	01	Spring Steel/Music Wire/AMS 5112/ASTM A228/No Plating	4
3	SCREW & CLIP	60-1121	01	300 Series Stainless Steel/No Plating - Degrease Only	4
2	F-7015H12B	----	A	FAN,70x10mm,12V,2BallH Speed,3 Wire, Tach,Conn, RoHS, 305mm, Gold DA Pins	1
1	FAN SCREW	60-1019	01	Screw,Phillips Pan Head, M3x17 Point	4

DO NOT SCALE DRAWING
 UNLESS OTHERWISE SPECIFIED DIMENSIONS ARE IN MILLIMETRE TOLERANCES ARE:

1 PLACE .X ± 0.4
 2 PLACE .XX ± 0.25
 3 PLACE .XXX ± 0.13
 ANGLES EXCEPT 90° ± 1°
 MAXIMUM SURFACE ROUGHNESS 125√

MATERIAL:	-	CUSTOMER DRAWING NUMBER:	COFAN USA 1400 FULTON PL. UNIT A FREDRICK CA 94539		
FINISH:	-	CUSTOMER PART NUMBER:	NAME: HEAT SINK ASSY, 775		
DRAWN BY:	Jun	COFAN DRAWING NUMBER:	SCALE:	CUS REV:	COF REV:
APPR BY:		COFAN PART NUMBER:	NONE	-	01
		30-1532	SHEET:	DATE DRAWN:	
		30-1532	1 OF 1	Apr-12-2007	

RoHS
 Compliant
 2002/95/EC