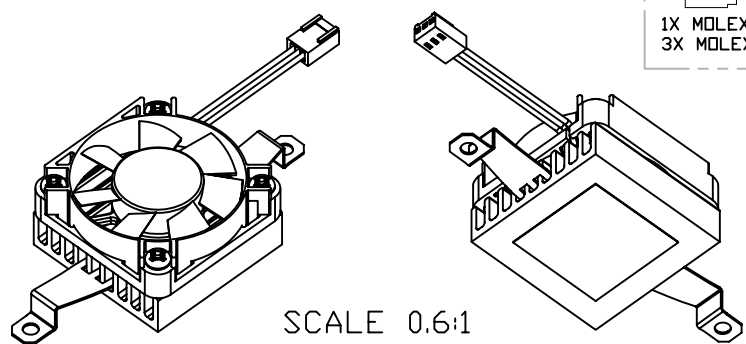
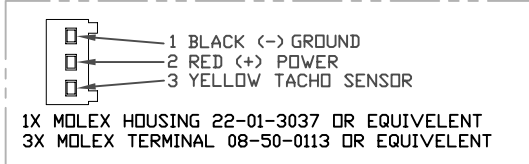
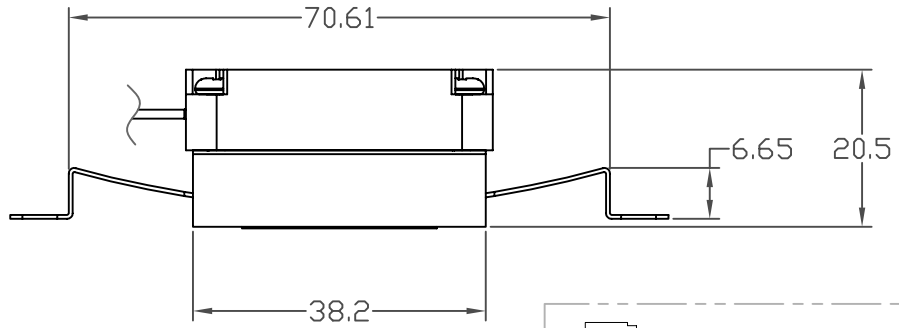
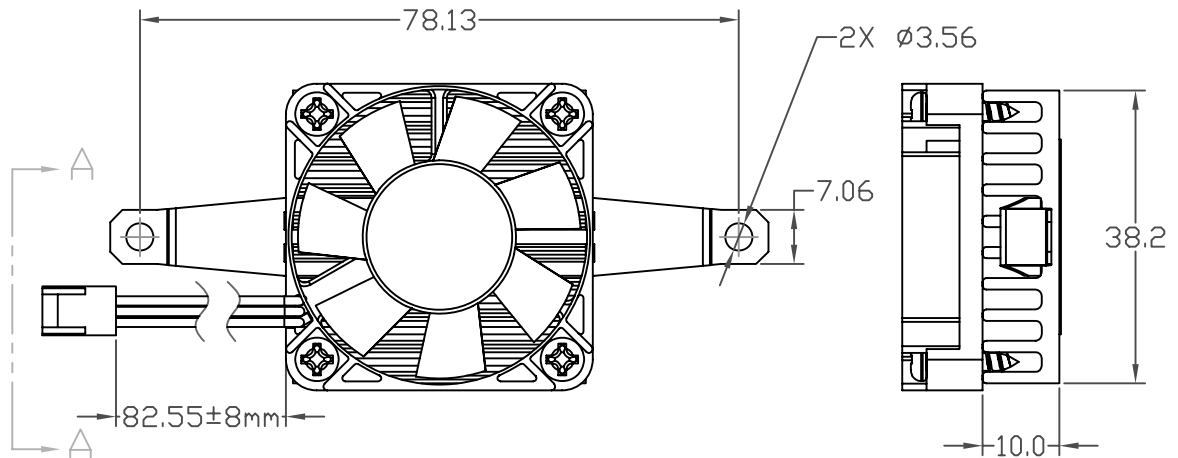
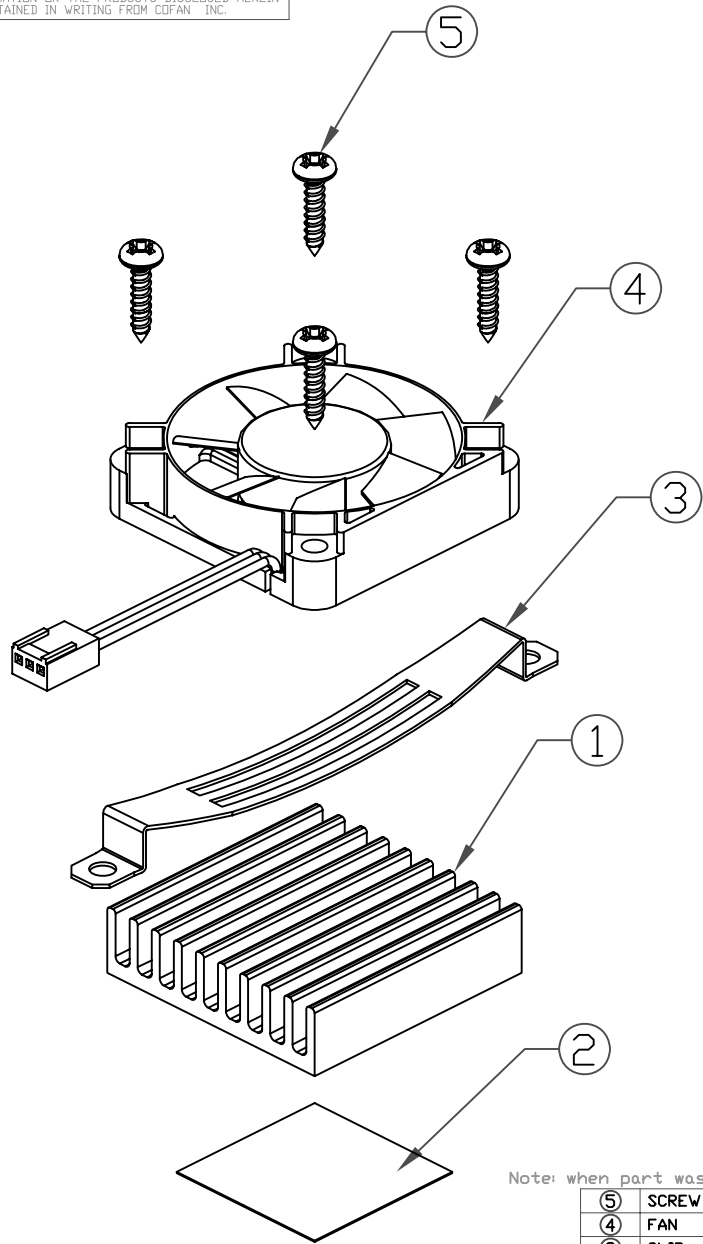


NOTICE - PROPRIETARY INFORMATION
 THE DESIGN AND RELATED INFORMATION CONTAINED HEREIN
 IS THE SOLE PROPERTY OF COFAN INC. THE DISCLOSURE
 OF THIS INFORMATION DOES NOT CONSTITUTE THE RELEASE OF
 ANY PROPRIETARY RIGHTS THEREIN. PERMISSION TO REPRODUCE
 THIS INFORMATION OR THE PRODUCTS DISCLOSED HEREIN
 MUST BE OBTAINED IN WRITING FROM COFAN INC.



SCALE 0.6:1

Note: when part was HTM4001 Sunon 40 x 10mm, 5800 RPM Sleeve Bearing fan was used but we are now using Cofan 2 Ball Bearing 6000 RPM Fan

Item	Part Description	Part Number	Q'ty	UNLESS OTHERWISE SPECIFIED DIMENSIONS ARE IN MILLIMETRE TOLERANCES ARE:
5	SCREW	FS3012	4	DO NOT SCALE DRAWING
4	FAN	Cofan F-410H12B, Cofan F-4010H12B	1	
3	CLIP	HTM4001_CLIP	1	
2	THERMAL PAD	CHDMERICS T725 1" x 1"	1	
1	HEAT SINK	45005035	1	
				1 PLACE .X ± 0.4
				2 PLACE .XX ± 0.25
				3 PLACE .XXX ± 0.13
				ANGLES EXCEPT 90° ± 1°
				MAXIMUM SURFACE ROUGHNESS 125√

MATERIAL:	Heatsink: AL6063-T5 Clip 301 SS - 1/2 Hard	NAME:	COFAN USA 1400 FULTON PL. UNIT A FRENCH CA 94539		
FINISH:	-	SCALE:	1:1	CUS REV:	-
DRAWN BY:	Dan	COFAN OLD PART #:	HTM4001	COF REV:	01
APPR BY:		COFAN PART NUMBER:	30-1739	SHEET:	1 OF 1
				DATE DRAWN:	Oct-18-2007

BOM SHEET