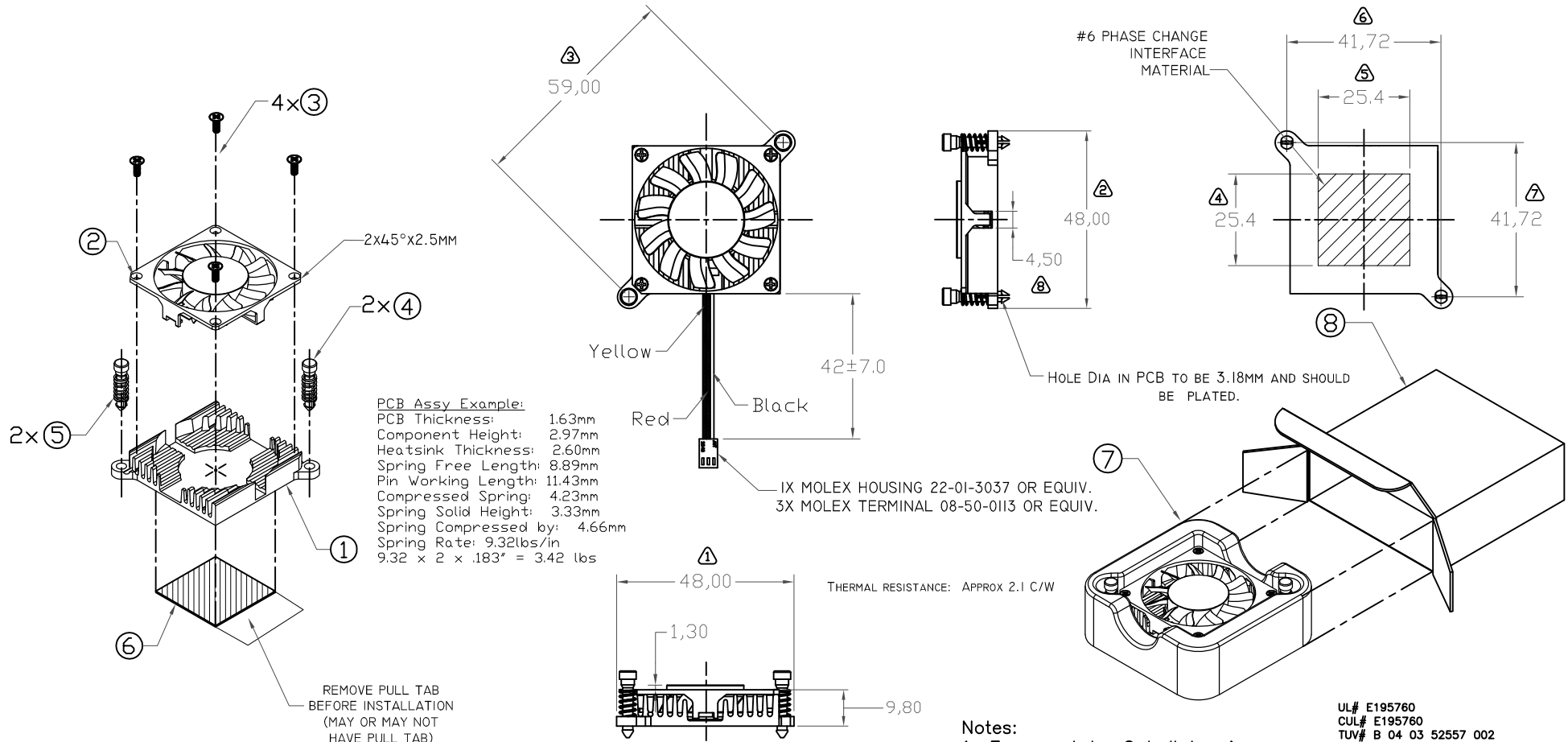


NOTICE - PROPRIETARY INFORMATION  
 THE DESIGN AND RELATED INFORMATION CONTAINED HEREIN IS THE SOLE PROPERTY OF COFAN INC. THE DISCLOSURE OF THIS INFORMATION DOES NOT CONSTITUTE THE RELEASE OF ANY PROPRIETARY RIGHTS THEREIN. PERMISSION TO REPRODUCE THIS INFORMATION OR THE PRODUCTS DISCLOSED HEREIN MUST BE OBTAINED IN WRITING FROM COFAN INC.

RoHS  
 COMPLIANT  
 2002/95/EC

REVISION HISTORY					
REV	DESCRIPTION	DRWN	CHK'D	APP'VD	DATE
01	Initial Release	Long			10-11-07
02	Increase heat sink base thickness from 0.9 to 1.5mm Add 45 degree cuts on both sides heatsink and Fan	Long			11-06-07



Item	Part Description	Part Number	Material and Finish	Q'ty
8	Box	30-1742 Box	WEB or WEC	1
7	PVC	30-1742 PVC	PCV T=0.4mm.	1
6	THERMAL TAPE	70-1077 OR 70-1078 OR	HONEYWELL PCM45F, CHOMERICS T-725 OR LAIRD T-PCM585, 25X25MM	1
5	SPRING	50-1008 Rev 01	Spring Steel, / Nickel Plate.	2
4	BRASS PIN	50-1016 Rev 01	Brass, / Passivate	2
3	SCREW	60-1098 Rev 01	Steel, Black Zinc plated, M2 x 4	4
2	DC FAN	F-4008H12B-05 Rev 02	12V DC Fan: 40x40x9.6mm, 2 Ball, 6000 RPM	1
1	HEAT SINK	20-2066 Rev 02	AL 6061-T5, / Black anodize.	1

Notes:  
 1. Fan must be 2 ball bearing.

Value	Temp		25	30	40	50	60	70
AF			45.25	32	16	8	4	2
ESTIMATED MTTF			1801739	1274022	637011	318506	159253	79626
ESTIMATED L10			257391	182003	91002	45501	22750	11375

MODEL NO	RATED VOLTAGE V	OPERATING VOLTAGE V	RATED CURRENT A	ACTUAL CURRENT A	RATED POWER W	RATED SPEED RPM	MAX AIR FLOW		MAX. STATIC AIR PRESSURE		NOISE LEVEL dBA
							CMH	CFM	mmHg	InHg	
F-4008H12B	12	9.0-13.8	0.18	0.08	2.16	6000	0.168	5.92	2.26	0.089	26.6

DO NOT SCALE DRAWING MATERIAL: N/A CUSTOMER DRAWING NUMBER: -----

UNLESS OTHERWISE SPECIFIED DIMENSIONS ARE IN MILLIMETRE TOLERANCES ARE:

1 PLACE .X	± 0.3
2 PLACE .XX	± 0.2
3 PLACE .XXX	± 0.13
ANGLES EXCEPT 90°	± 0.5°
MAXIMUM SURFACE ROUGHNESS	3.2√

FINISH: N/A CUSTOMER PART NUMBER: -----

DRAWN BY: Long COFAN DRAWING NUMBER: 30-1742 SCALE: 1:1 CUS REV: - COF REV: 02

APPR BY: COFAN PART NUMBER: 30-1742 SHEET: 1 OF 1 DATE DRAWN: Oct-11-2007

**COFAN USA**  
 1400 FULTON PL. UNIT A FREMONT CA 94539  
 NAME: FAN HEATSINK, 12V, 6000 RPM