



# Approval Specification for Cofan Part # 30-1828 Rev 01

Heatsink – Fan Combination

RoHS Compliant

Revision Date: Mar 18, 2008

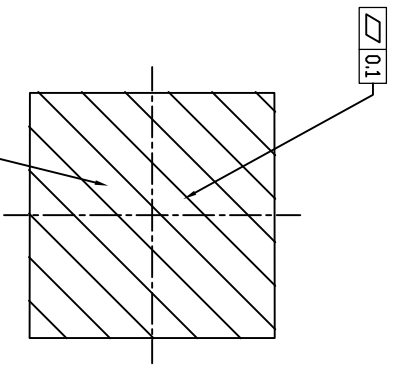
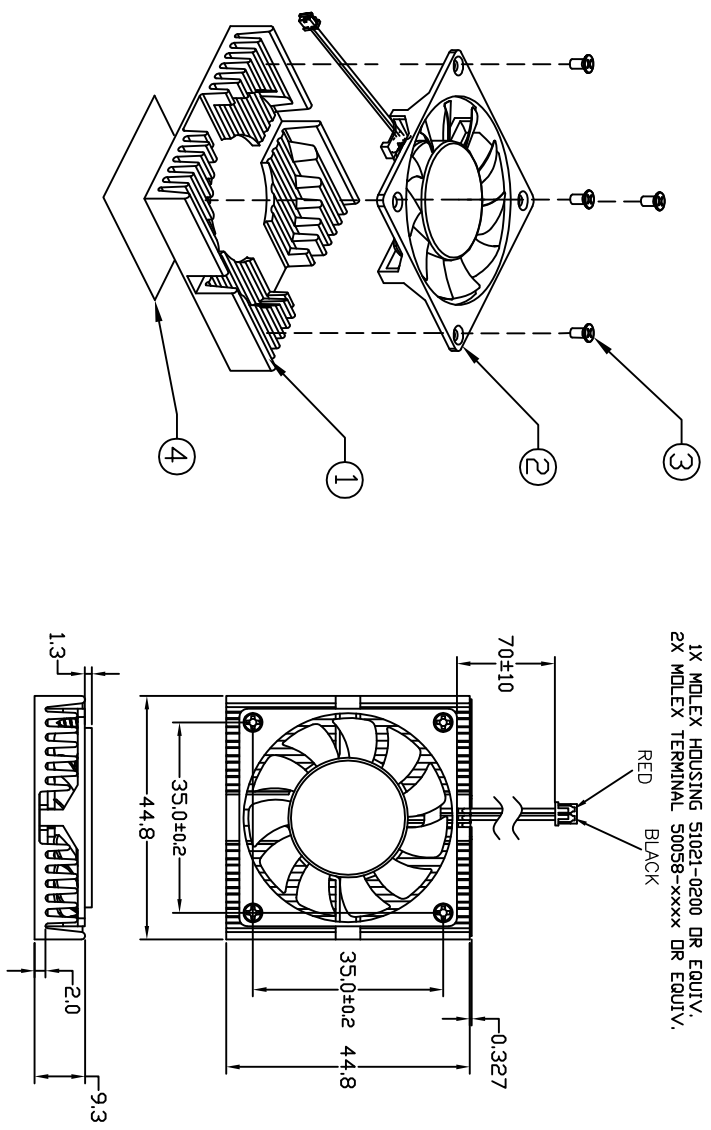
Cofan USA, 46177 Warm Springs Blvd, Fremont, CA 94539 [www.cofan-usa.com](http://www.cofan-usa.com) (800) 766-6097

NOTICE - PROPRIETARY INFORMATION CONTAINED HEREIN IS UNCLASSIFIED EXCEPT WHERE SHOWN OTHERWISE. THIS INFORMATION IS UNCLASSIFIED BY DATE AND BY ANY PROPRIETARY RIGHTS THEREIN. PERMISSION TO REPRODUCE THIS INFORMATION OR THE PRODUCT'S DISCLOSED HEREIN MUST BE OBTAINED IN WRITING FROM COFAN, INC.

NOTES:

- 1 MATERIAL: ----
- 2 FINISH: ----
- 3 DEBURR AND BREAK ALL SHARP EDGES..
- 4  $\triangle$  IS CRITICAL INSPECTION POINT. NUMBERING IN TRIANGLE IS TO BE USED FOR CROSS REFERENCE OF INSPECTION REPORT TO DRAWING DIMENSION OR FEATURE.
- 5 ALL DIMENSIONS TO INCLUDE APPLICABLE FINISH.
- 6 PART GROSS WEIGHT: 25 g/Pcs.

REVISION HISTORY					
REV	DESCRIPTION	DRWN	CHK'D	APP'VD	DATE
-	-	-	-	-	-



THERMAL RESISTANCE:  
APPROX 1.6°C/W  
IN FREE AIR AT  
25W OF POWER  
NOT INCLUDING  
TIM

Item	Part Description	Part Number	REV	QTY
④	Chomerics T412, 45x45mm	70-1031	A	2
③	SCREW, M2x5	60-1060	2	4
②	DC FAN, 40x40x8	F-400H12B-05	A	1
①	Heat sink, AL, Black Anodize	20-1130	A	1

DO NOT SCALE DRAWING

UNLESS OTHERWISE SPECIFIED DIMENSIONS ARE IN MILLIMETRE TOLERANCES ARE:

1 PLACE .X	± 0.25
2 PLACE .XX	± 0.13
3 PLACE .XXX	± 0.08
ANGLES EXCEPT 90°	± 0.5°
MAXIMUM SURFACE ROUGHNESS	6.3

BOM SHEET

NAME:	DATE:	CUSTOMER DRAWING NUMBER:	NAME:
DRAWN BY:		[-----]	COFAN USA
CHECKED BY:		CUSTOMER PART NUMBER:	4617 VIKING SPRING BLVD FREMONT CA 94539
CHECKED BY:		[-----]	FAN SINK, 12V
APPR BY:		COFAN DRAWING NUMBER:	30-1828
		COFAN PART NUMBER:	30-1828
		SHEET:	1 OF 1
		DATE DRAWN:	3-18-2008

ROHS COMPLIANT  
2002/95/EC

8 7 6 5 4 3 2 1



## Approval Specification for Cofan Part # F-4008H12B-05 Rev A

40 x 40mm x 8.3mm, 12VDC Fan, 2 Wire, Connector, RoHS Compliant

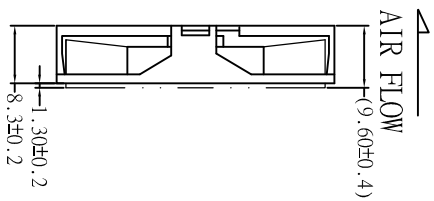
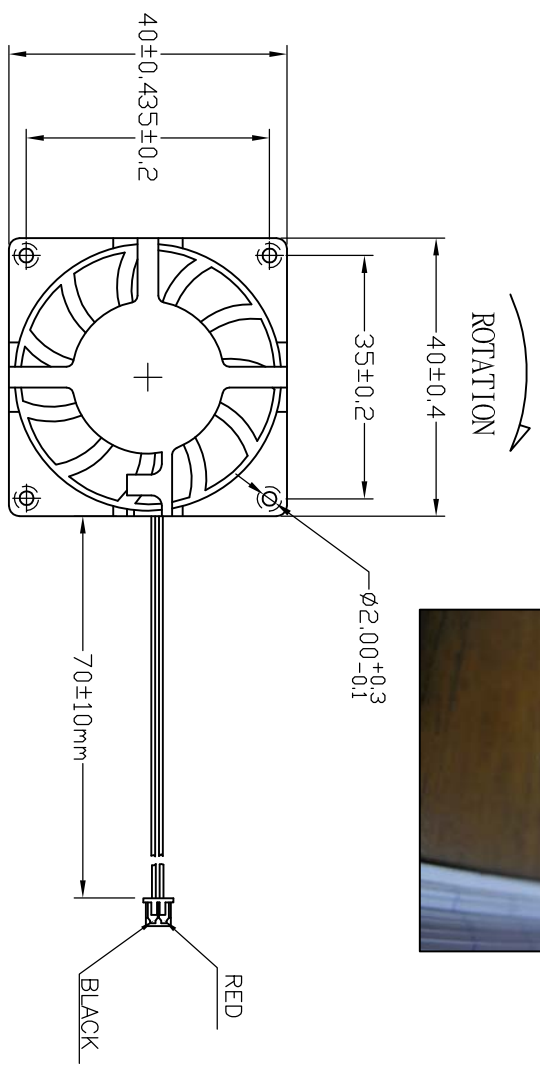
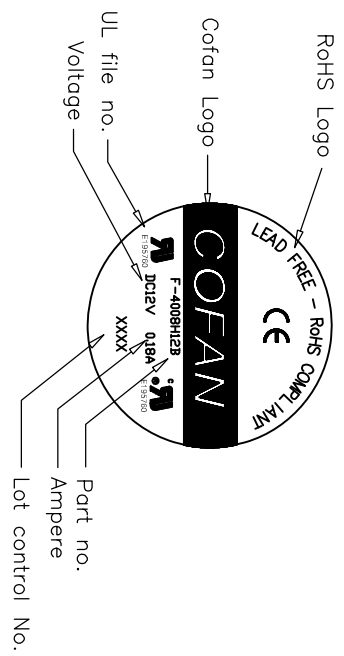
Revision Date: Mar-19-2008

Cofan USA, 46177 Warm Springs Blvd, Fremont, CA 94539 [www.cofan-usa.com](http://www.cofan-usa.com) (800) 766-6097

NOTICE - PROPRIETARY INFORMATION  
 THE DESIGN, RELEVANT INFORMATION CONTAINED HEREIN IS THE SOLE PROPERTY OF COFAN USA INC. THE DISCLOSURE OF THIS INFORMATION DOES NOT CONSTITUTE THE RELEASE OF ANY PROPRIETARY RIGHTS. HEREBY PERMISSION TO REPRODUCE THIS INFORMATION IS GRANTED ON THE CONDITION THAT ALL RIGHTS MUST BE OBTAINED IN WRITING FROM COFAN USA INC.

Note: This fan and all parts associated with this fan (including packaging, housings, and pins) either does not contain any hazardous substances such as lead, mercury, or PCBs, or is below acceptable levels, and is in compliance with 2002/95/EC of the European Parliament and of the Council of 27th January, 2003, on the restriction on the use of certain hazardous substances in electrical and electronic equipment.

DC BRUSHLESS FAN  
 40 X 40 X 8.3 mm



UL/CUL# E195760  
 TUV# B 04 03 52557 03  
 CE# EN50081-1

ROHS  
 COMPLIANT  
 2002/95/EC

PARTS LIST

①	1X AXIEX HOUSING SUPER-2800 PR. EQUIV.
②	1X AXIEX HOUSING SUPER-2800 PR. EQUIV.
③	1X FAN, COFAN MODEL F-4008H12B

MODEL NO	RATED VOLTAGE V	OPERATING VOLTAGE V	RATED CURRENT A	ACTUAL CURRENT A	RATED POWER W	RATED SPEED RPM	MAX AIR FLOW @ 9000 RPM CMH	MAX PRESSURE @ 9000 RPM mmHg D	NOISE LEVEL @9A dBA
F-4008H12B	12	9-13.8	0.18	0.18	2.88	9000	0.252	8.91	35.5

COFAN ORDERING PART # F-4008H12B-05 Rev A (part # on label will be F-4008H12B)  
 Bearing Type: 2 Ball Bearing, MTBF: 125K Hours @ 25M/70K Hours @ 45M  
 Lead time - 2.5 to 3 weeks  
 To place order, call Ben at (800) 766-6097 or email to ben@cofan-usa.com

UNLESS OTHERWISE SPECIFIED DIMENSIONS ARE IN MILLIMETRE TOLERANCES ARE:	DRAWN BY: Jun	DATE: 10/25/07	CUSTOMER DRAWING NUMBER: [-----]
1 PLACE .X ± 0.4	CHECKED BY:		CUSTOMER PART NUMBER: [-----]
2 PLACE .XX ± 0.25	CHECKED BY:		COFAN DRAWING NUMBER: F-4008H12B-05
3 PLACE .XXX ± 0.13	APPR BY:		COFAN PART NUMBER: F-4008H12B-05
ANGLES EXCEPT 90° ± 0.5°			
MAXIMUM SURFACE ROUNDEDNESS 6.4			

NAME: COFAN USA 4617 VARI SPRINGS BLVD FREMONT CA 94539	NAME: FAN, 40x8mm, 12V, 2 Ball, Connector, RoHS
SCALE: NONE	CUS REV: A
SHEET: 1 OF 1	DATE DRAWN: Mar-19-2008

**Cofan USA, Inc.**  
**46177 Warm Springs Blvd**  
**Fremont, CA 94539**  
**USA**

**TEL: (510) 490-7533**  
**FAX: (510) 490-7931**  
**www.cofan-usa.com**

## SPECIFICATION FOR APPROVAL

**Rev A**

### 1. SCOPE:

This specification defines the electrical and mechanical characteristics of the following DC brushless axial flow fan:

Item		Description	
1-1	Part Number	F-4008H12B-05 (part # on label will be F-4008H12B)	
1-2	Outline Dimensions	40 x 9.6mm	
1-3	Bearing System	2 Ball Bearing	
1-4	Rated Voltage	12 VDC	
1-5	Operating Voltage	9 – 13.8 VDC	
1-6	Input Current	0.18 A	
1-7	Input Power	2.88W	
1-8	Speed	9000 R.P.M.	a. 25°C, 65% RH, b. Free Air c. Rated Voltage
1-9	Max. Air Flow (At zero static pressure)	8.91 CFM 0.252 CMM	a. Rated Voltage b. AMCA Standard
1-10	Max. Air Pressure (At zero airflow)	0.183 in H <sub>2</sub> O 4.64 mm H <sub>2</sub> O	c. Rated Current
1-11	Acoustical Noise (Avg)	35.5 dBA	a. Rated Voltage b. Measured in a Non-Echo Chamber c. CNS 8753 Standard d. ISO 3744 Test Condition
1-12	Life Expectance	257,391 L10 Hours 91,002 L10 Hours	a. 25°C (MTBF of 1,801,739 Hours) b. 40°C (MTBF of 637,011 Hours)
1-13	Insulation Type	UL: Class A	
1-14	Weight	9 Grams	
1-15	Rotation	Clockwise from label side	