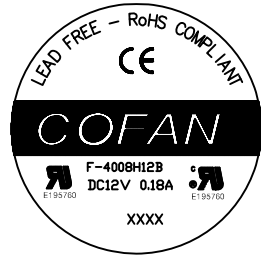


NOTICE - PROPRIETARY INFORMATION
 THE DESIGN AND RELATED INFORMATION CONTAINED HEREIN
 IS THE SOLE PROPERTY OF COFAN USA INC. THE DISCLOSURE
 OF THIS INFORMATION DOES NOT CONSTITUTE THE RELEASE OF
 ANY PROPRIETARY RIGHTS THEREIN. PERMISSION TO REPRODUCE
 THIS INFORMATION OR THE PRODUCTS DISCLOSED HEREIN
 MUST BE OBTAINED IN WRITING FROM COFAN USA INC.

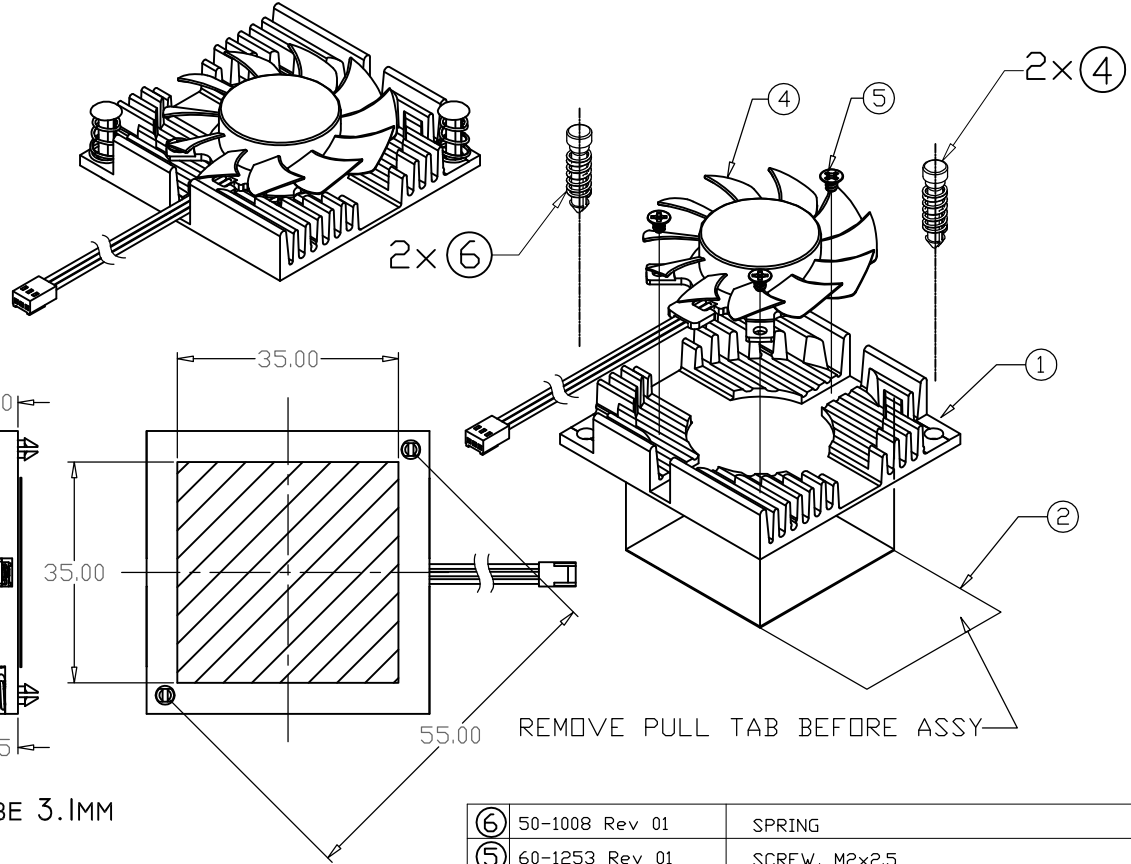
THERMAL RESISTANCE: APPROX 1.99°C/W

REVISION HISTORY					
REV	DESCRIPTION	DRWN	CHK'D	APP'VD	DATE
-	-	-	-	-	-



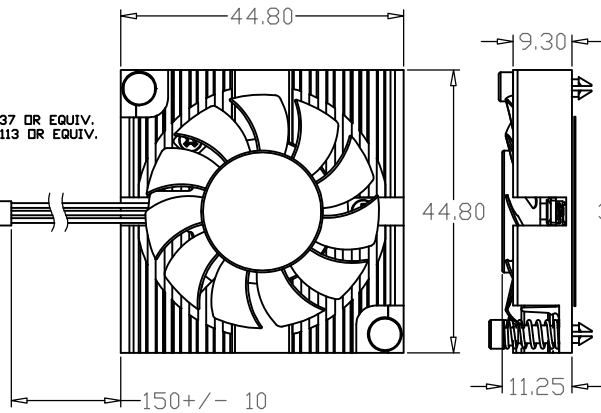
PCB Assy Example:

- PCB Thickness: 1.63mm
- Component Height: 2.97mm
- Heatsink Thickness: 2.00mm
- Spring Free Length: 8.89mm
- Pin Working Length: 11.43mm
- Compressed Spring: 4.83mm
- Spring Solid Height: 3.33mm
- Spring Compressed by: 4.06mm
- Spring Rate: 9.32lbs/in
- 9.32 x 2 x .160" = 2.97 lbs



1X MOLEX HOUSING 22-01-3037 OR EQUIV.
 3X MOLEX TERMINAL 08-50-0113 OR EQUIV.

YELLOW - TACH
 RED POWER
 BLACK GROUND



HOLE DIA IN PCB TO BE 3.1MM

Notes:

- 1. Fan must be 2 ball bearing.

UL# E195760
 CUL# E195760
 TUV# B 04 03 52557 002
 CE# EN5008-1

RoHS
 COMPLIANT
 2002/95/EC

⑥	50-1008 Rev 01	SPRING	2
⑤	60-1253 Rev 01	SCREW, M2x2.5	3
④	F-4008H12BIV-05 Rev 01	12VDC FAN, 40mm, 2 Ball Bearing	1
③	50-1510 Rev 01	Brass Pin	2
②	70-1038 Rev 01	CHROMERICS T-725, 35X35MM	1
①	20-4068 Rev 01	HEATSINK, AL6063-T5, BLACK ANODIZED 55mm Hole to Hole	1
	Part Number	Part Description	Qty

BOM SHEET

Value	Temp	25	30	40	50	60	70
AF		45.25	32	16	8	4	2

ESTIMATED MTTF	1801739	1274022	637011	318506	159253	79626
ESTIMATED L10	257391	182003	91002	45501	22750	11375

MODEL NO	RATED VOLTAGE V	OPERATING VOLTAGE V	RATED CURRENT A	ACTUAL CURRENT A	RATED POWER W	RATED SPEED RPM	MAX AIR FLOW		MAX. STATIC AIR PRESSURE		NOISE LEVEL dBA
							CMM	CFM	mmH ₂ O	InH ₂ O	
F-4008H12BIV	12	9.0~13.8	0.18	0.08	2.16	6000	0.168	5.92	2.26	0.089	26.6

DO NOT SCALE DRAWING		NAME:	DATE:	CUSTOMER DRAWING NUMBER:	COFAN USA			
UNLESS OTHERWISE SPECIFIED DIMENSIONS ARE IN MILLIMETRE TOLERANCES ARE:		DRAWN BY:	Jun 10/12/07	[----]	46177 WARM SPRINGS BLVD FREMONT CA 94539			
1 PLACE .X	± 0.25	CHECKED BY:		CUSTOMER PART NUMBER:	NAME: FAN HEAT SINK ASSEMBLY			
2 PLACE .XX	± 0.13	CHECKED BY:		[----]	COFAN DRAWING NUMBER:	SCALE:	CUS REV:	COFAN REV:
3 PLACE .XXX	± 0.08	CHECKED BY:			30-1944	NONE		01
ANGLES EXCEPT 90°	± 0.5°	APPR BY:		COFAN PART NUMBER:	SHEET:	DATE DRAWN:		
MAXIMUM SURFACE ROUGHNESS	6.3			30-1944	1 OF 1	Oct-25-2007		