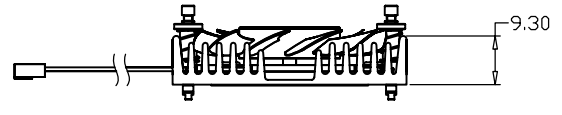
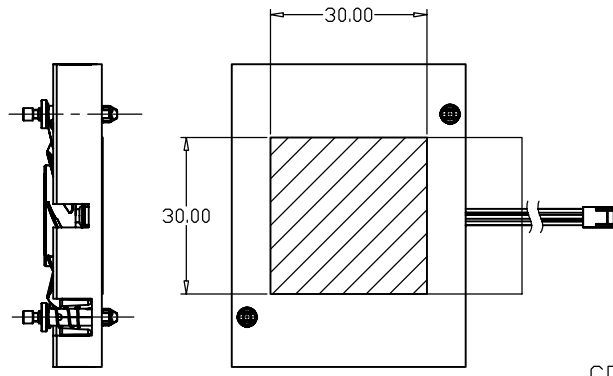
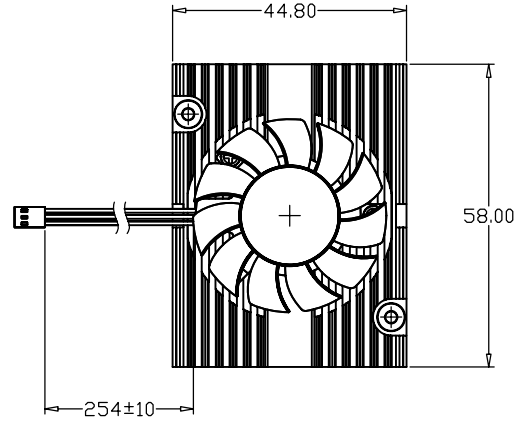
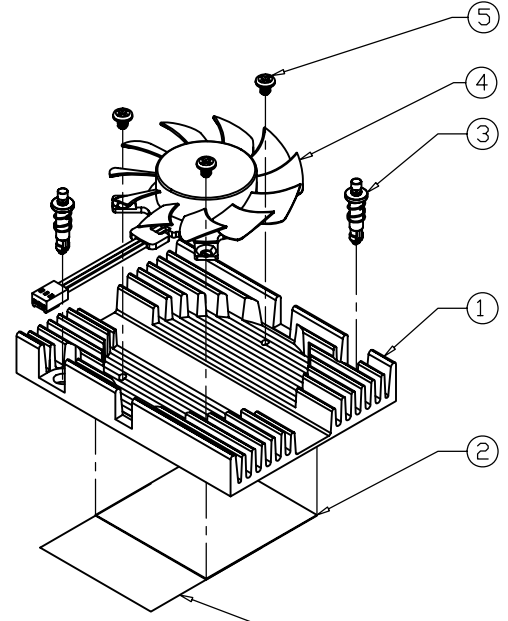
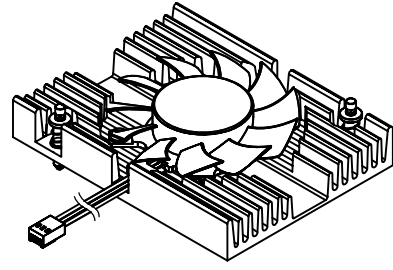


NOTICE - PROPRIETARY INFORMATION  
 THE DESIGN AND RELATED INFORMATION CONTAINED HEREIN  
 IS THE SOLE PROPERTY OF COFAN USA INC. THE DISCLOSURE  
 OF THIS INFORMATION DOES NOT CONSTITUTE THE RELEASE OF  
 ANY PROPRIETARY RIGHTS THEREIN. PERMISSION TO REPRODUCE  
 THIS INFORMATION OR THE PRODUCTS DISCLOSED HEREIN  
 MUST BE OBTAINED IN WRITING FROM COFAN USA INC.

REVISION HISTORY					
REV	DESCRIPTION	DRWN	CHK'D	APPVD	DATE
-	-	-	-	-	-



COFAN TO REMOVE PULL TAB  
 BEFORE SHIPPING TO CUSTOMER

⑤	60-1263 Rev 01	SCREW, M2x2.5	3
④	F-4008H12BIII-05 REV 01	12VDC FAN, 40MM, 2 BALL BEARING	1
③	30-1737	PUSH PIN TO FASTEX, 83FT02-37-9909,	2
②	70-1001	HONEYWELL PCM45F, 30X30MM OR LAIRD T-PCM585, 30X30MM OR CHOMERICS T-725, 30X30MM	1
①	20-4078 Rev 01	HEATSINK, AL6063-T5, BLACK ANODIZED 55MM HOLE TO HOLE	1
	PART NUMBER	DESCRIPTION	QTY

BOM SHEET

DO NOT SCALE DRAWING UNLESS OTHERWISE SPECIFIED DIMENSIONS ARE IN MILLIMETRE TOLERANCES ARE: 1 PLACE .X ± 0.25 2 PLACE .XX ± 0.13 3 PLACE .XXX ± 0.08 ANGLES EXCEPT 90° ± 0.5° MAXIMUM SURFACE ROUGHNESS 6.4	NAME:	DATE:	CUSTOMER DRAWING NUMBER:	 46177 WARM SPRINGS BLVD FREMONT CA 94539			
	DRAWN BY: JUN	10/12/07	[-----]				
	CHECKED BY: IYC	7/2/08	[-----]	NAME: FAN HEAT SINK ASSEMBLY			
	CHECKED BY:			CUSTOMER PART NUMBER: [-----]	COFAN DRAWING NUMBER: 30-1962	SCALE: NONE	CUS REV: 01
	APPR BY:		COFAN PART NUMBER: 30-1962	SHEET: 1 OF 1	DATE DRAWN: OCT-25-2007		

RoHS  
 COMPLIANT  
 2002/95/EC