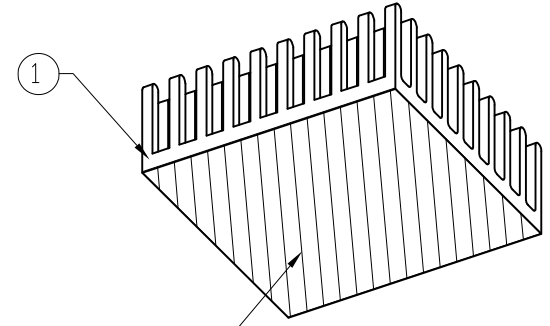
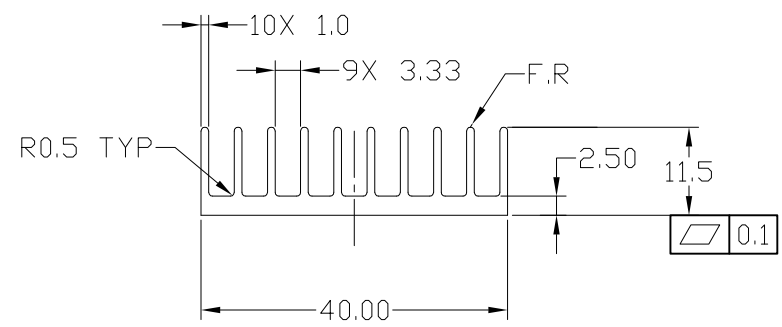
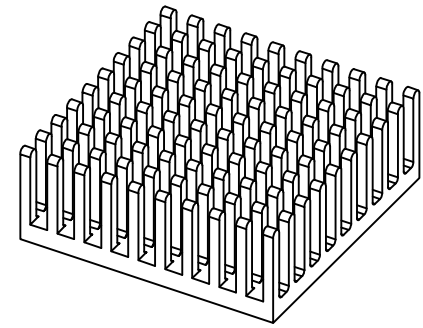
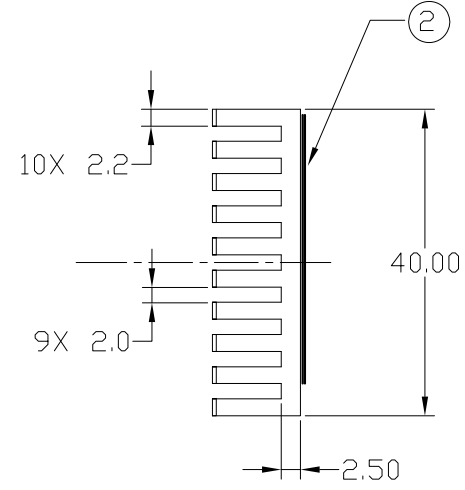
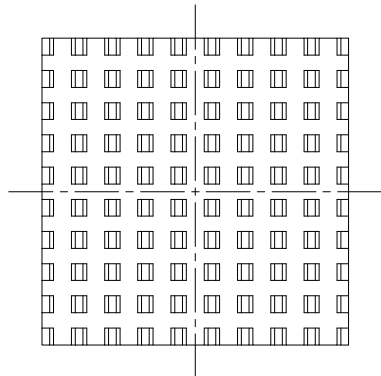


NOTICE - PROPRIETARY INFORMATION
 THE DESIGN AND RELATED INFORMATION CONTAINED HEREIN
 IS THE SOLE PROPERTY OF COFAN INC. THE DISCLOSURE
 OF THIS INFORMATION DOES NOT CONSTITUTE THE RELEASE OF
 ANY PROPRIETARY RIGHTS THEREIN. PERMISSION TO REPRODUCE
 THIS INFORMATION OR THE PRODUCTS DISCLOSED HEREIN
 MUST BE OBTAINED IN WRITING FROM COFAN INC.

To Place Order, use Cofan Part # 30-1847



Thermal Tape

DO NOT SCALE DRAWING

UNLESS OTHERWISE SPECIFIED
 DIMENSIONS ARE IN MILLIMETRE
 TOLERANCES ARE

1 PLACE .X	± 0.4
2 PLACE .XX	± 0.25
3 PLACE .XXX	± 0.13
ANGLES EXCEPT 90°	± 1°
MAXIMUM SURFACE ROUGHNESS	125√

DRAWING NUMBER:

MATERIAL: AL 6063-T5
 FINISH: BLACK ANODIZED

HEAT SINK

DRAWN BY: DAN
 PART NUMBER: 30-1847
 REV: 01

ENGINEER:
 SHEET: 1 OF 1
 DATE DRAWN: 04-13-2005
 SCALE: 1:1

No	P/N	Description	Qty
②	70-1017	Thermal Tape 40x40mm	1
①	20-4038	Bare HeatSink	1