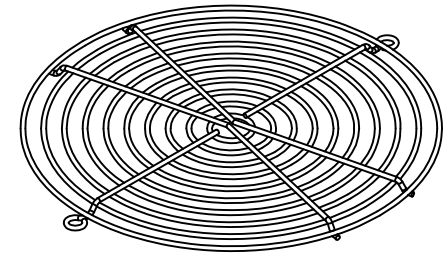
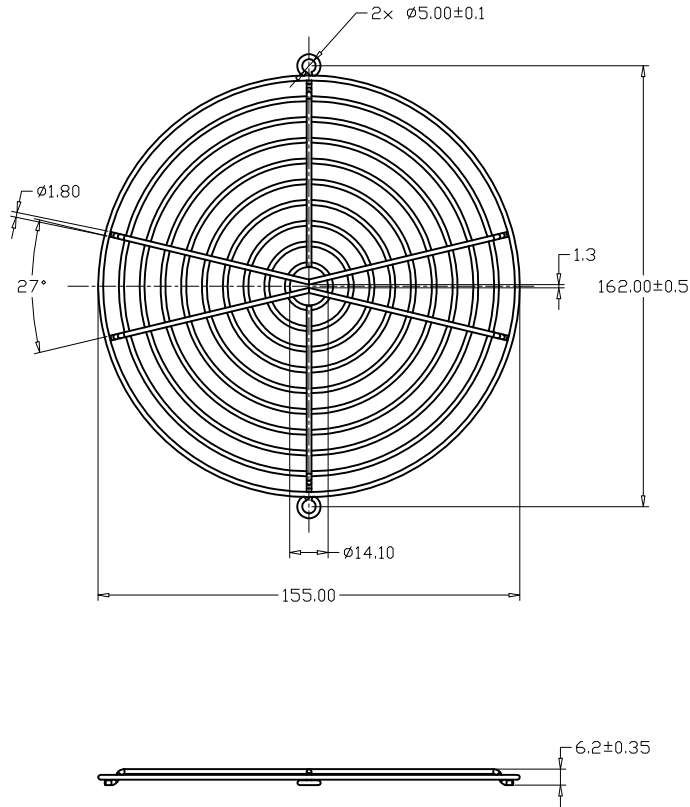


NOTICE - PROPRIETARY INFORMATION
 THE DESIGN AND RELATED INFORMATION CONTAINED HEREIN
 IS THE SOLE PROPERTY OF COFAN USA INC. . THE DISCLOSURE
 OF THIS INFORMATION DOES NOT CONSTITUTE THE RELEASE OF
 ANY PROPRIETARY RIGHTS THEREIN. PERMISSION TO REPRODUCE
 THIS INFORMATION OR THE PRODUCTS DISCLOSED HEREIN
 MUST BE OBTAINED IN WRITING FROM COFAN USA INC.


REVISION HISTORY					
REV	DESCRIPTION	DRWN	CHK'D	APPVD	DATE
-	-	-	-	-	-

NOTES:

- 1. MATERIAL: CI16A
- 2. FINISH: BRIGHT NICKEL CHROME PLATING
- 3. DEBURR AND BREAK ALL SHARP EDGES..
- 4. \triangle IS CRITICAL INSPECTION POINT. NUMBERING IN TRIANGLE IS TO BE USED FOR CROSS REFERENCE OF INSPECTION REPORT TO DRAWING DIMENSION OR FEATURE.
- 5. ALL DIMENSIONS TO INCLUDE APPLICABLE FINISH.
- 6. PART GROSS WEIGHT: 63 g/Pcs.
- 7. RING : $\varnothing 1.8 \pm 0.1$ MM, RIB: $\varnothing 1.8 \pm 0.1$ MM.
- 8. GENERAL TOLERANCE UNLESS NOTED IS ± 0.3 MM



RoHS
 COMPLIANT
 2002/95/EC

DO NOT SCALE DRAWING		NAME:	DATE:	CUSTOMER DRAWING NUMBER:	 46177 VARN SPRING BLVD FREMONT CA 94539		
UNLESS OTHERWISE SPECIFIED DIMENSIONS ARE IN MILLIMETRE TOLERANCES ARE:		DRAWN BY:	A.jie	12/11/09	[----]	CUSTOMER PART NUMBER: NAME: wire form fan guard 150mm	
1 PLACE .X	±	CHECKED BY:			COFAN DRAWING NUMBER:	SCALE:	CUS REV:
2 PLACE .XX	±	CHECKED BY:			54-1031	1:1	01
3 PLACE .XXX	±	APPR BY:			COFAN PART NUMBER:	SHEET:	DATE DRAWN:
ANGLES EXCEPT 90°	± 0.5°				54-1031	1 OF 1	Dec-11-2009
MAXIMUM SURFACE ROUGHNESS	6.3						