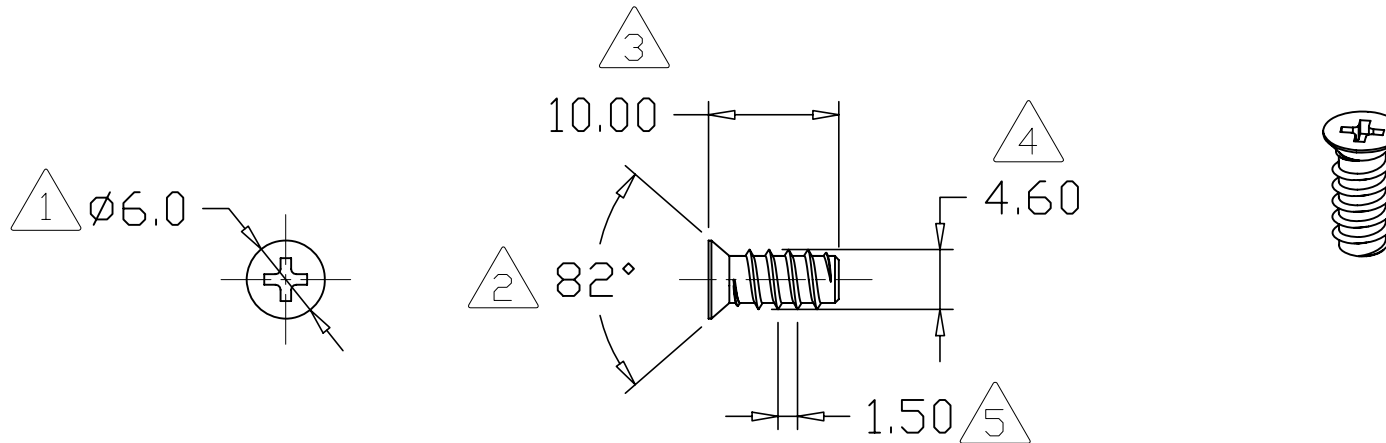


NOTICE - PROPRIETARY INFORMATION
 THE DESIGN AND RELATED INFORMATION CONTAINED HEREIN
 IS THE SOLE PROPERTY OF COFAN INC. THE DISCLOSURE
 OF THIS INFORMATION DOES NOT CONSTITUTE THE RELEASE OF
 ANY PROPRIETARY RIGHTS THEREIN. PERMISSION TO REPRODUCE
 THIS INFORMATION OR THE PRODUCTS DISCLOSED HEREIN
 MUST BE OBTAINED IN WRITING FROM COFAN INC.

| REVISION HISTORY | | | | | |
|------------------|-------------|------|-------|-------|------|
| REV | DESCRIPTION | DRWN | CHK'D | APPVD | DATE |
| | | | | | |

NOTES

- 1. MATERIAL: STEEL
- 2. FINISH: BLACK ZINC PLATED.
- 3. ⚠ IS CRITICAL INSPECTION POINT. NUMBERING IN TRIANGLE IS TO BE USED FOR CROSS REFERENCE OF INSPECTION REPORT TO DRAWING DIMENSION OR FEATURE.



| | | | | | |
|---|----------------|--------------------------------|---|-------------------------|-------------|
| DO NOT SCALE DRAWING <small>UNLESS OTHERWISE SPECIFIED DIMENSIONS ARE IN MILLIMETRE TOLERANCES ARE:</small> | MATERIAL: 1 | CUSTOMER DRAWING NUMBER: ----- | <small>46177 WARM SPRINGS BLVD FREMONT CA 94539</small> | | |
| | FINISH: 2 | CUSTOMER PART NUMBER: ----- | NAME: FAN SCREW Ø4.6x10MM | | |
| | DRAWN BY: Ajie | COFAN DRAWING NUMBER: FS4610 | SCALE: 1:1 | CUS REV: - | COF REV: 01 |
| | APPR BY: | COFAN PART NUMBER: 60-1124 | SHEET: 1 OF 1 | DATE DRAWN: NOV-08-2006 | |

8 7 6 5 4 3 2 1

8 7 6 5 4 3 2 1