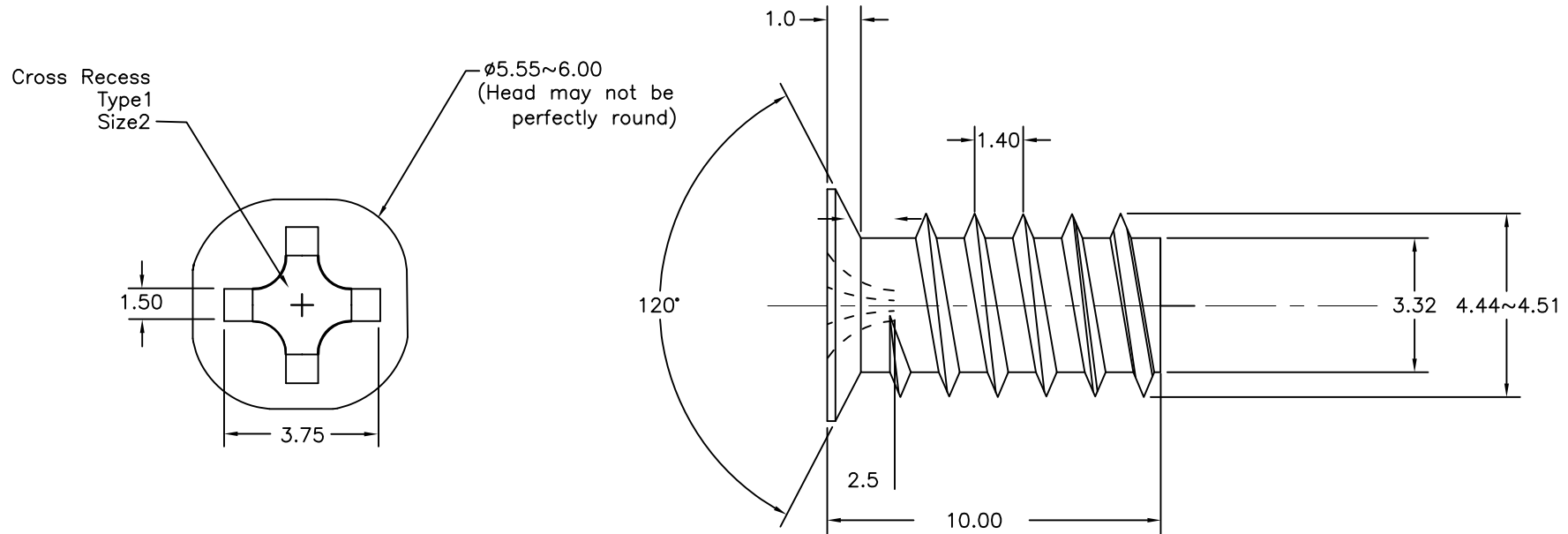



FAN SCREW FOR 4.2MM HOLE DIAMETER IN FAN  
 (use approx .6Nm of torque for installation)



TO ORDER USE COFAN PART # 60-1537 Rev 01

RoHS  
 Compliant  
 2002/95/EC

DO NOT SCALE DRAWING		DRAWING NUMBER: 60-1537		 <b>COFAN USA</b> www.cofan-usa.com	
UNLESS OTHERWISE SPECIFIED DIMENSIONS ARE IN MILLIMETRE TOLERANCES ARE:		MATERIAL: STEEL		Fan Screw, 4.48x10mm, Steel, Bright Nickel, Phillips, 120 Degree Flat Head	
1 PLACE .X	$\pm 0.4$	FINISH: BRIGHT NICKEL		PART NUMBER: 60-1537	
2 PLACE .XX	$\pm 0.25$	DRAWN BY:		REV: 01	
3 PLACE .XXX	$\pm 0.13$	ENGINEER:		SHEET:	
ANGLES EXCEPT 90°	$\pm 1^\circ$	DATE DRAWN: 9-22-09		SCALE:	
MAXIMUM SURFACE ROUGHNESS	125 $\sqrt{\quad}$				

REV	REVISIONS	DATE	BY
8			
7			
6			