

Frameless Fans 30 x 30 x 10 mm

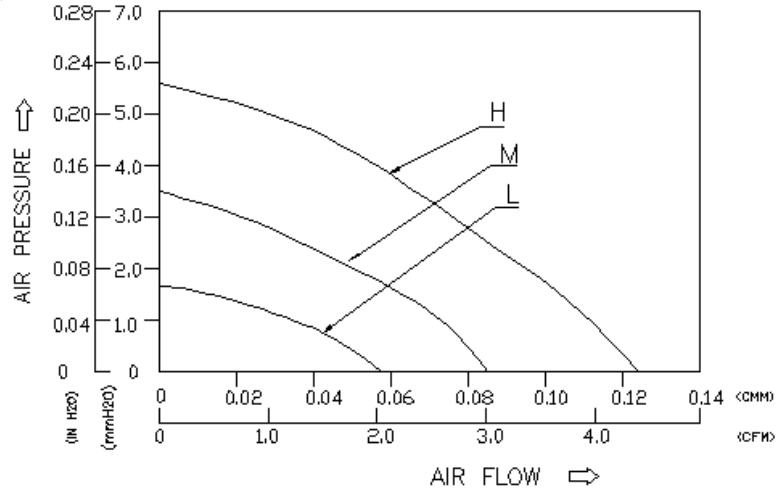
SPECIFICATIONS



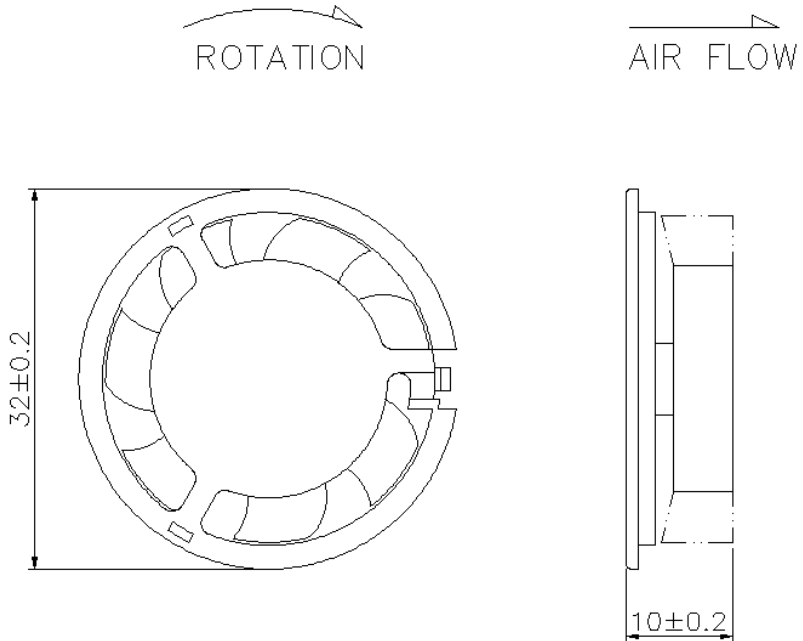
- Bearing Type:
2 Ball Bearing
- Material
Impeller: PBT85%+FIBER15%
(UL 94V-0)
Frame: PBT70%:+FIBER30%
(UL 94V-0)
- Lead Wires:
UL 1007-F
AWG #24 (2 Pin), #28 (3 Pin)
(+) Red, (-) Black
- Weight: 9 Grams (0.32 oz)
- Standard: 3-Wire, Tacho output,
12" wire
- Available: 2-Wire
Locked rotor
Connector

* Specifications are subject to change without notice.

P & Q CURVE (AT RATED VOLTAGE)



DIMENSIONS DRAWING



Model No.	Rated Voltage [V]	Operating Voltage [V]	Rated Current [A]	Actual Current [A]	Rated Power [W]	Rated Speed [RPM]	Max. Air Flow		Max. Static Air Pressure		Noise Level [dBA]	Noise Level Max [dBA]
							CMM	CFM	mmH ₂ O	INH ₂ O		
F-3010L03B	3.3	3-3.6	0.18	0.15	0.59	6000	0.062	2.18	1.61	0.063	20.5	
F-3010M03B	3.3	3-3.6	0.24	0.21	0.79	8500	0.098	3.47	3.05	0.120	26.1	
F-3010H03B	3.3	3-3.6	0.30	0.28	0.99	11000	0.123	4.36	4.41	0.174	30.8	
F-3010L05B	5	4.5-5.5	0.14	0.10	0.70	6000	0.062	2.18	1.61	0.063	20.5	
F-3010M05B	5	4.5-5.5	0.17	0.14	0.85	8500	0.098	3.47	3.05	0.120	26.1	
F-3010H05B	5	4.5-5.5	0.20	0.18	1.00	11000	0.123	4.36	4.41	0.174	30.8	
F-3010L12B	12	10.8-13.8	0.08	0.05	0.96	6000	0.062	2.18	1.61	0.063	20.5	
F-3010M12B	12	9-13.8	0.11	0.08	1.32	8500	0.098	3.47	3.05	0.120	26.1	
F-3010H12B	12	9-13.8	0.14	0.11	1.68	11000	0.123	4.36	4.41	0.174	30.8	