

Frameless Fans

40 x 40 x 08 mm I

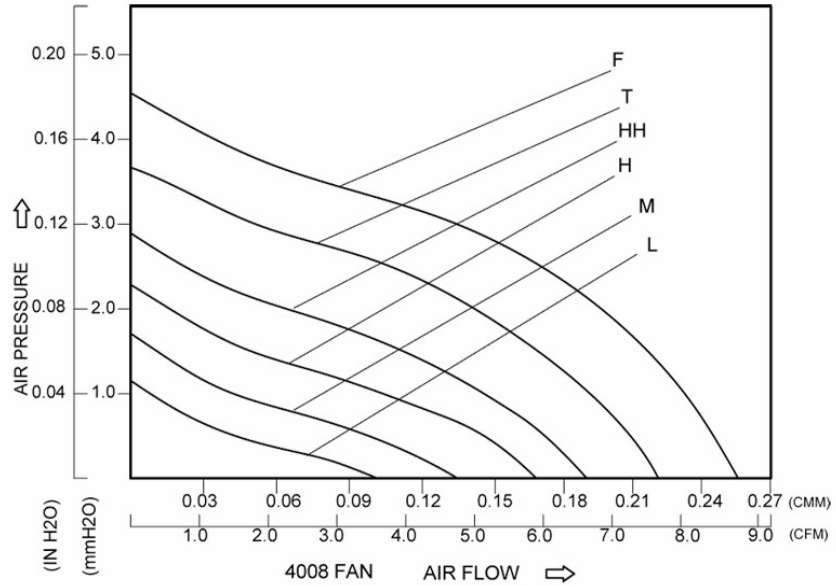
SPECIFICATIONS



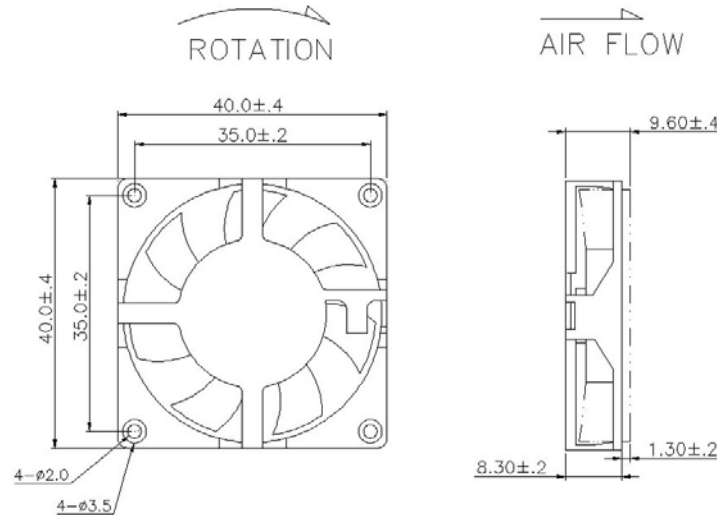
- Bearing Type:
2 Ball Bearing
- Material
Impeller: PBT85%+FIBER15%
(UL 94V-0)
Frame: PBT70%:+FIBER30%
(UL 94V-0)
- Lead Wires:
UL 1007-F
AWG #24 (2 Pin), #28 (3 Pin)
(+) Red, (-) Black
- Weight: 7 Grams (0.25 oz)
- Standard: 3-Wire, Tacho output,
12" wire
- Available: 2-Wire
Locked rotor
Connector

* Specifications are subject to change without notice.

P & Q CURVE (AT RATED VOLTAGE)



DIMENSIONS DRAWING



Model No.	Rated Voltage [V]	Operating Voltage [V]	Rated Current [A]	Actual Current [A]	Rated Power [W]	Rated Speed [RPM]	Max. Air Flow		Max. Static Air Pressure		Noise Level [dBA]	Noise Level Max [dBA]
							CMM	CFM	mmH ₂ O	INH ₂ O		
F-4008L05B I	5	4.5-5.5	0.20	0.08	1.00	4000	0.106	3.73	1.10	0.043	19.6	20.4
F-4008M05B I	5	4.5-5.5	0.24	0.17	1.20	5000	0.133	4.68	1.68	0.066	23.1	24.2
F-4008H05B I	5	4.5-5.5	0.28	0.20	1.40	6000	0.168	5.92	2.26	0.089	26.6	27.9
F-4008L12B I	12	10.8-13.8	0.10	0.06	1.20	4000	0.106	3.73	1.10	0.043	19.6	20.4
F-4008M12B I	12	9-13.8	0.14	0.07	1.68	5000	0.133	4.68	1.68	0.066	23.1	24.2
F-4008H12B I	12	9-13.8	0.18	0.08	2.16	6000	0.168	5.92	2.26	0.089	26.6	27.9
F-4008HH12B I	12	9-13.8	0.12	0.09	1.44	7000	0.191	6.75	2.94	0.116	30.4	
F-4008TH12B I	12	9-13.8	0.14	0.10	1.68	8000	0.228	8.05	3.71	0.146	33.0	
F-4008FH12B I	12	9-13.8	0.24	0.20	2.88	9000	0.252	8.91	4.64	0.183	35.5	