



Frameless Fans

45 x 45 x 10 mm II

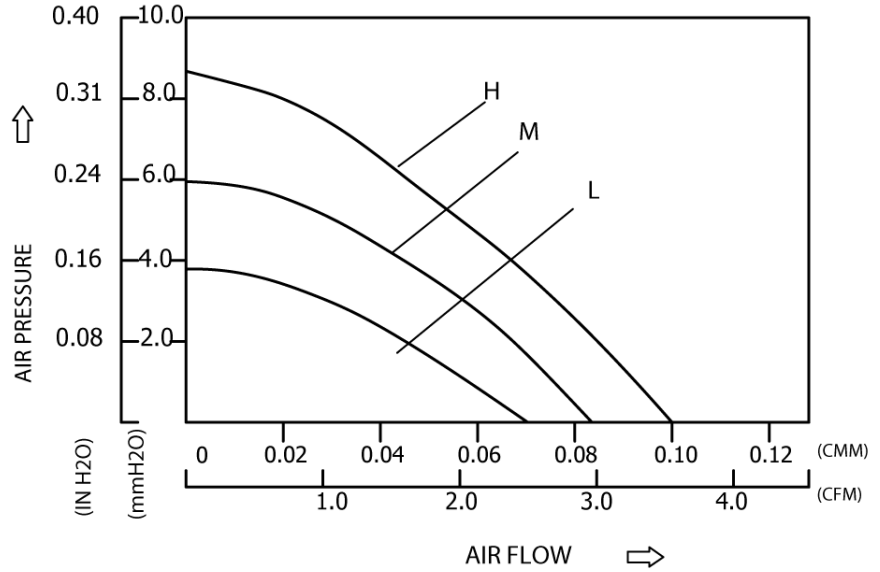
SPECIFICATIONS



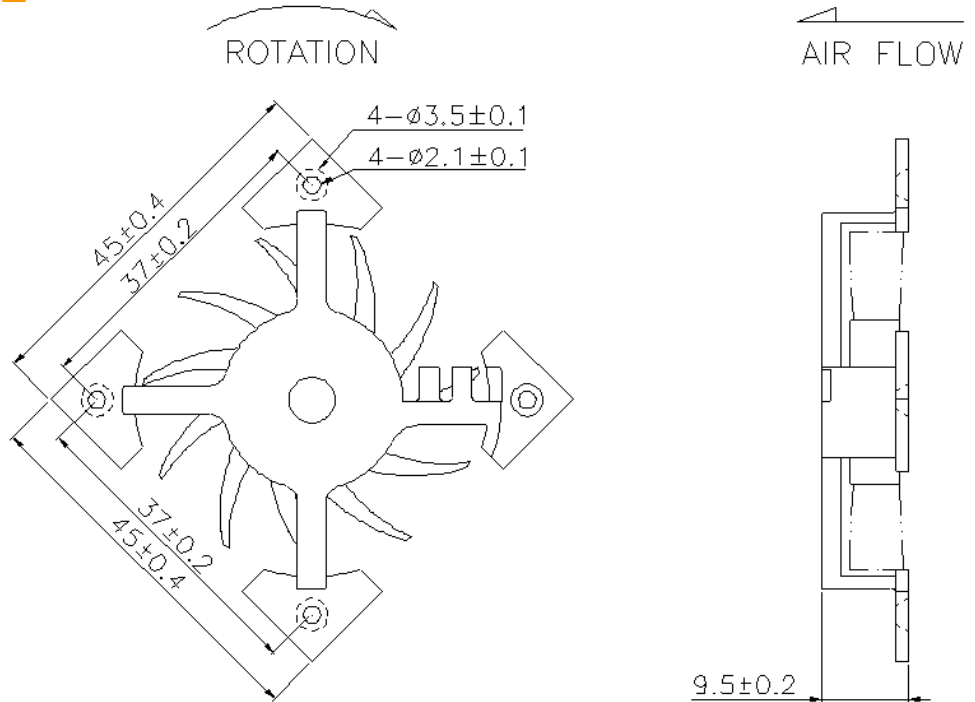
- Bearing Type:
2 Ball Bearing
- Material
Impeller: PBT85%+FIBER15%
(UL 94V-0)
Frame: PBT70%:+FIBER30%
(UL 94V-0)
- Lead Wires:
UL 1007-F
AWG #24 (2 Pin), #28 (3 Pin)
(+) Red, (-) Black
- Weight: 19 Grams (0.67 oz)
- Standard: 3-Wire, Tacho output,
12" wire
- Available: 2-Wire
Locked rotor
Connector

* Specifications are subject to change without notice.

P & Q CURVE (AT RATED VOLTAGE)



DIMENSIONS DRAWING



Model No.	Rated Voltage [V]	Operating Voltage [V]	Rated Current [A]	Actual Current [A]	Rated Power [W]	Rated Speed [RPM]	Max. Air Flow		Max. Static Air Pressure		Noise Level [dBA]	Noise Level Max [dBA]
							CMM	CFM	mmH ₂ O	INH ₂ O		
F-4510L12B II	12	10.8~13.8	0.10	0.07	1.20	3400	0.070	2.46	3.87	0.152	21.8	24.7
F-4510M12B II	12	9~13.8	0.15	0.11	1.80	4200	0.085	2.99	5.99	0.236	25.7	27.2
F-4510H12B II	12	9~13.8	0.23	0.18	2.76	5000	0.100	3.55	8.67	0.341	29.5	31.2