



Frameless Fans

50 x 50 x 20 mm

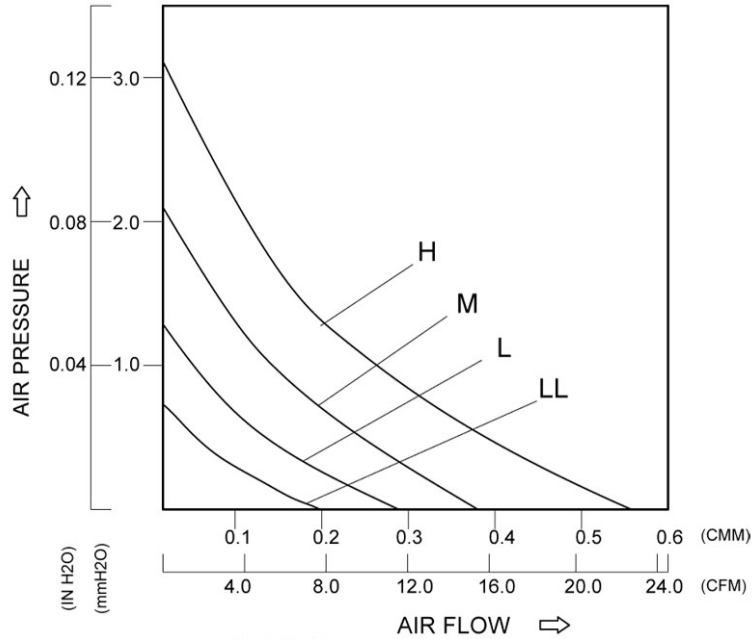
SPECIFICATIONS



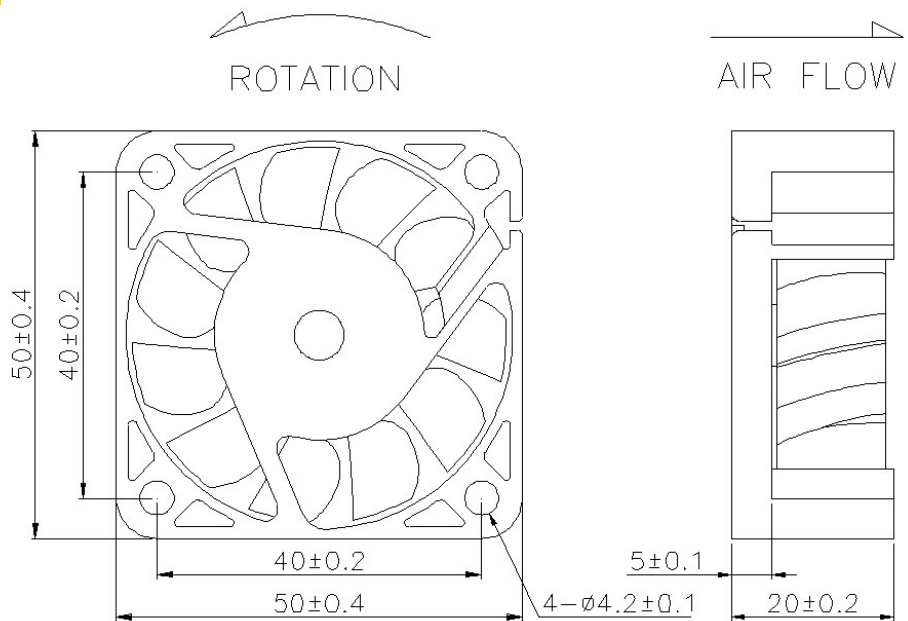
- Bearing Type:  
2 Ball Bearing
- Material  
Impeller: PBT85%+FIBER15%  
(UL 94V-0)  
Frame: PBT70%:+FIBER30%  
(UL 94V-0)
- Lead Wires:  
UL 1007-F  
AWG #24 (2 Pin), #28 (3 Pin)  
(+) Red, (-) Black
- Weight: 28 Grams (0.99 oz)
- Standard: 3-Wire, Tacho output,  
12" wire
- Available: 2-Wire  
Locked rotor  
Connector

\* Specifications are subject to change without notice.

P & Q CURVE (AT RATED VOLTAGE)



DIMENSIONS DRAWING



Model No.	Rated Voltage [V]	Operating Voltage [V]	Rated Current [A]	Actual Current [A]	Rated Power [W]	Rated Speed [RPM]	Max. Air Flow		Max. Static Air Pressure		Noise Level [dBA]	Noise Level Max [dBA]
							CMM	CFM	mmH <sub>2</sub> O	INH <sub>2</sub> O		
F-5020L05B	5	4-5.5	0.30	0.16	1.50	3400	0.296	10.440	1.260	0.050	25.429	26.607
F-5020M05B	5	4-5.5	0.45	0.24	2.25	4200	0.386	13.623	2.080	0.082	30.461	31.462
F-5020H05B	5	4-5.5	0.60	0.38	3.00	5000	0.568	20.070	3.100	0.122	36.040	38.18
F-5020L12B	12	6-13.8	0.16	0.08	1.92	3400	0.296	10.440	1.260	0.050	25.429	26.607
F-5020M12B	12	6-13.8	0.20	0.14	2.40	4200	0.386	13.623	2.080	0.082	30.461	31.462