



Blower Fans

120 x 120 x 25 mm

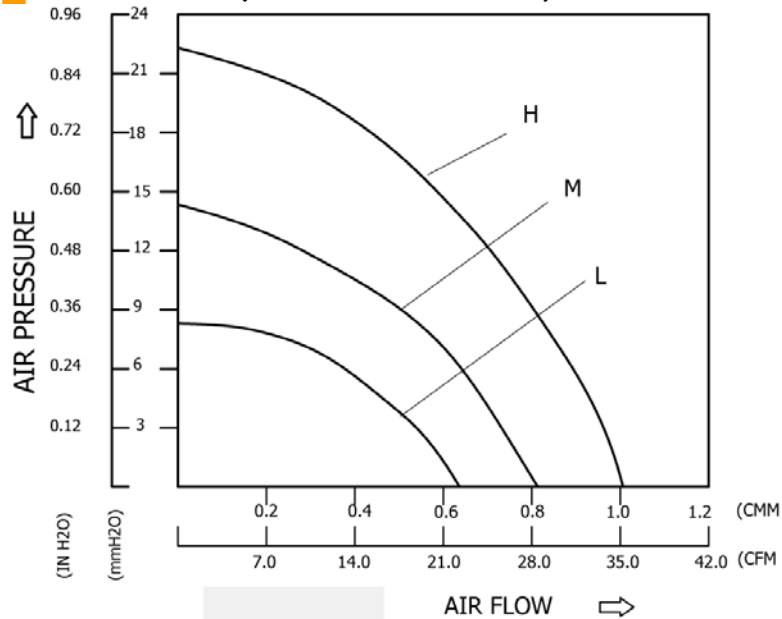
SPECIFICATIONS



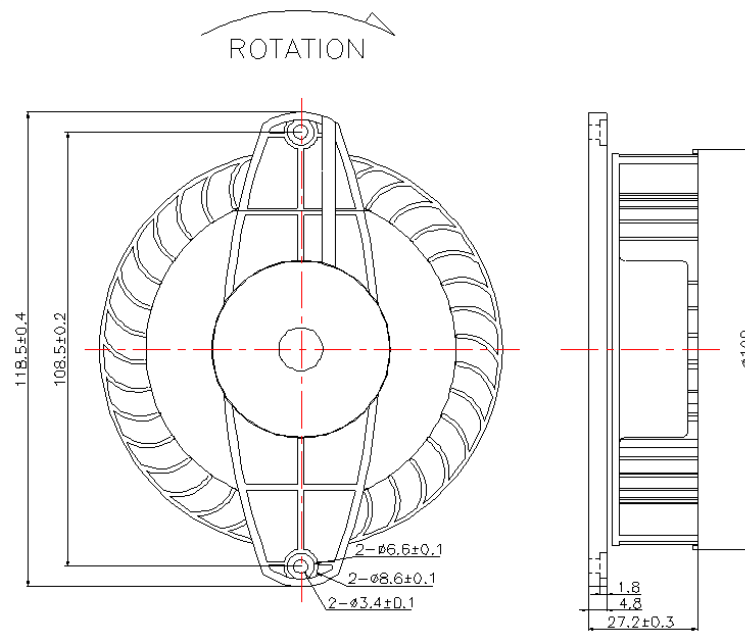
- Bearing Type:
2 Ball Bearing
- Material
Impeller: PBT85%+FIBER15%
(UL 94V-0)
Frame: PBT70%:+FIBER30%
(UL 94V-0)
- Lead Wires:
UL 1007-F
AWG #24 (2 Pin), #28 (3 Pin)
(+) Red, (-) Black
- Weight: 79 Grams (2.79 oz)
- Standard: 3-Wire, Tacho output,
12" wire
- Available: 2-Wire
Locked rotor
Connector

* Specifications are subject to
change without notice.

P & Q CURVE (AT RATED VOLTAGE)



DIMENSIONS DRAWING



Model No.	Rated Voltage [V]	Operating Voltage [V]	Rated Current [A]	Actual Current [A]	Rated Power [W]	Rated Speed [RPM]	Max. Air Flow		Max. Static Air Pressure		Noise Level [dBA]	Noise Level Max [dBA]
							CMM	CFM	mmH ₂ O	INH ₂ O		
FB1225L12B	12	9-13.8	0.18	0.13	2.16	1200	0.644	22.74	8.85	0.349	26.4	29.0
FB1225M12B	12	9-13.8	0.45	0.32	5.40	1600	0.807	28.51	14.25	0.561	34.8	37.7
FB1225H12B	12	9-13.8	0.90	0.52	10.80	2000	1.009	35.63	22.27	0.877	41.9	44.3
FB1225L24B	24	18-27.6	0.15	0.09	3.60	1200	0.644	22.74	8.85	0.349	26.4	29.0
FB1225M24B	24	12-27.6	0.25	0.20	6.00	1600	0.807	28.51	14.25	0.561	34.8	37.7
FB1225H24B	24	12-27.6	0.40	0.35	9.60	2000	1.009	35.63	22.27	0.877	41.9	44.3