

Blower Fans

120 x 120 x 32 mm

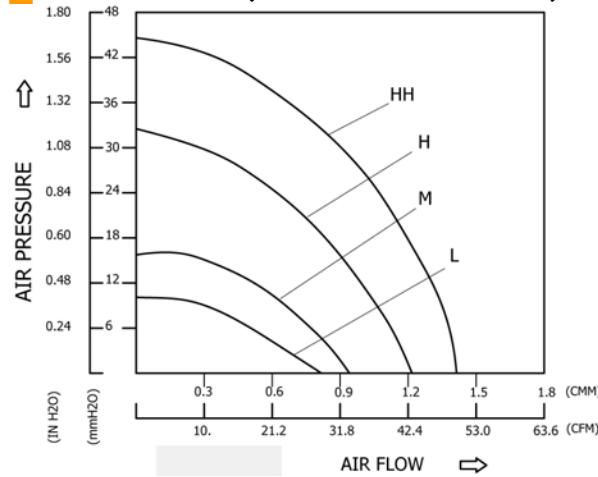
SPECIFICATIONS



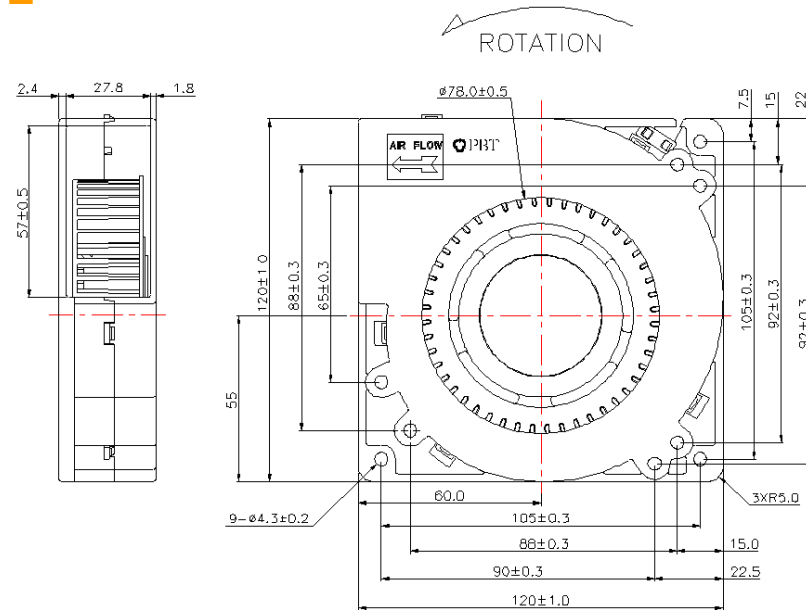
- Bearing Type:  
2 Ball Bearing
- Material  
Impeller: PBT85%+FIBER15%  
(UL 94V-0)  
Frame: PBT70%:+FIBER30%  
(UL 94V-0)
- Lead Wires:  
UL 1007-F  
AWG #24 (2 Pin), #28 (3 Pin)  
(+) Red, (-) Black
- Weight: 307 Grams (10.83 oz)
- Standard: 3-Wire, Tacho output,  
12" wire
- Available: 2-Wire  
Locked rotor  
Connector

\* Specifications are subject to change without notice.

P & Q CURVE (AT RATED VOLTAGE)



DIMENSIONS DRAWING



Model No.	Rated Voltage [V]	Operating Voltage [V]	Rated Current [A]	Actual Current [A]	Rated Power [W]	Rated Speed [RPM]	Max. Air Flow		Max. Static Air Pressure		Noise Level [dBA]	Noise Level Max [dBA]
							CMM	CFM	mmH <sub>2</sub> O	INH <sub>2</sub> O		
FB1232L12B	12	8-13.8	0.36	0.34	4.32	2000	0.819	28.92	10.10	0.398	47.9	
FB1232M12B	12	8-13.8	0.80	0.63	9.60	2500	0.943	33.30	16.10	0.634	52.3	
FB1232H12B	12	8-13.8	1.35	1.01	16.20	3000	1.246	44.01	32.90	1.295	56.1	
FB1232HH12B	12	8-13.8	1.90	1.60	22.80	3500	1.402	49.52	45.70	1.799	60.9	
FB1232L24B	24	12-27.6	0.24	0.20	5.76	2000	0.819	28.92	10.10	0.398	47.9	
FB1232M24B	24	12-27.6	0.34	0.30	8.16	2500	0.943	33.30	16.10	0.634	52.3	
FB1232H24B	24	12-27.6	0.90	0.81	21.60	3000	1.246	44.01	32.90	1.295	56.1	
FB1232HH24B	24	12-27.6	1.20	1.02	28.80	3500	1.402	49.52	45.70	1.799	60.9	
FB1232L48B	48	24-52.8	0.15	0.13	7.20	2000	0.819	28.92	10.10	0.398	47.9	
FB1232M48B	48	24-52.8	0.24	0.20	11.52	2500	0.943	33.30	16.10	0.634	52.3	
FB1232H48B	48	24-52.8	0.75	0.69	36.00	3000	1.246	44.01	32.90	1.295	56.1	
FB1232HH48B	48	24-52.8	0.95	0.83	45.60	3500	1.402	49.52	45.70	1.799	60.9	