


Blower Fans

 50 x 50 x 15 mm I

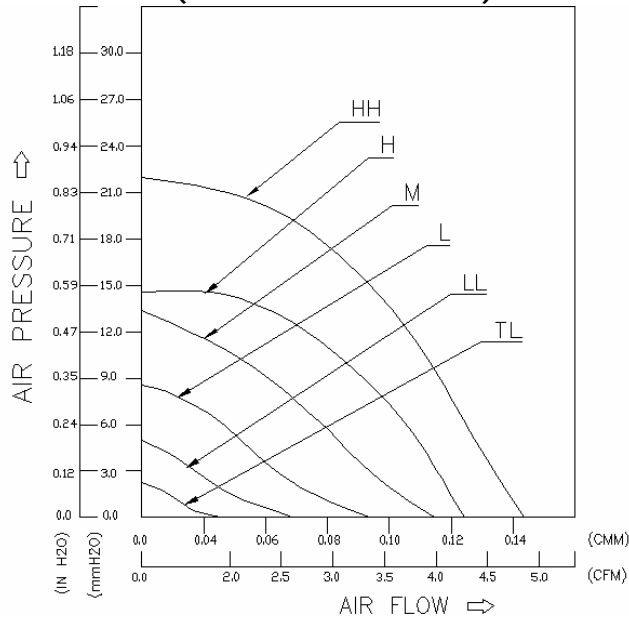
SPECIFICATIONS



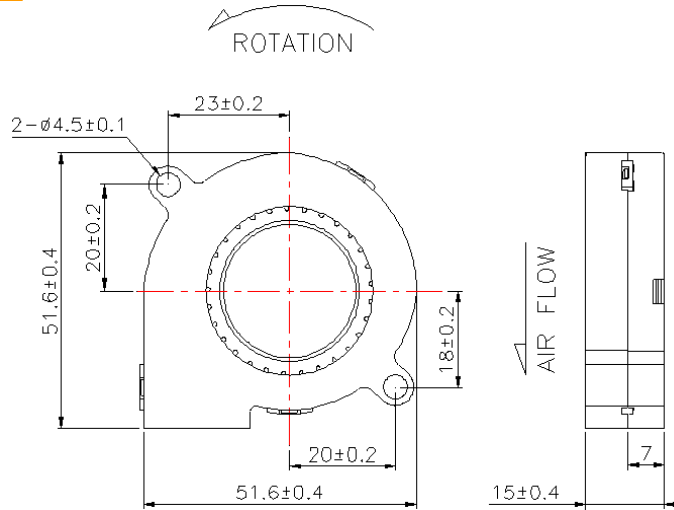
- Bearing Type:
2 Ball Bearing
- Material
Impeller: PBT85%+FIBER15%
(UL 94V-0)
Frame: PBT70%:+FIBER30%
(UL 94V-0)
- Lead Wires:
UL 1007-F
AWG #24 (2 Pin), #28 (3 Pin)
(+) Red, (-) Black
- Weight: 24 Grams (0.85 oz)
- Standard: 3-Wire, Tacho output,
12" wire
- Available: 2-Wire
Locked rotor
Connector

* Specifications are subject to change without notice.

P & Q CURVE (AT RATED VOLTAGE)



DIMENSIONS DRAWING



Model No.	Rated Voltage [V]	Operating Voltage [V]	Rated Current [A]	Actual Current [A]	Rated Power [W]	Rated Speed [RPM]	Max. Air Flow		Max. Static Air Pressure		Noise Level [dBA]	Noise Level Max [dBA]
							CMM	CFM	mmH ₂ O	INH ₂ O		
FB5015TL05B	5	4-5.5	0.06	0.04	0.30	2500	0.042	1.49	1.91	0.075	22.4	23.4
FB5015LL05B	5	4-5.5	0.10	0.07	0.50	3500	0.069	2.44	5.17	0.204	30.2	32.6
FB5015L05B	5	4-5.5	0.15	0.14	0.75	4500	0.084	2.96	9.07	0.357	36.9	40.3
FB5015M05B	5	4-5.5	0.25	0.19	1.25	5500	0.101	3.56	14.13	0.556	42.2	44.7
FB5015H05B	5	4-5.5	0.35	0.30	1.75	6500	0.116	4.11	20.40	0.803	46.7	48.5
FB5015TL12B	12	9-13.8	0.03	0.03	0.36	2500	0.042	1.49	1.91	0.075	22.4	23.4
FB5015LL12B	12	9-13.8	0.05	0.04	0.60	3500	0.069	2.44	5.17	0.204	30.2	32.6
FB5015L12B	12	9-13.8	0.08	0.08	0.96	4500	0.084	2.96	9.07	0.357	36.9	40.3
FB5015M12B	12	9-13.8	0.15	0.11	1.80	5500	0.101	3.56	14.13	0.556	42.2	44.7
FB5015H12B	12	9-13.8	0.22	0.15	2.64	6500	0.116	4.11	20.40	0.803	46.7	48.5