



Blower Fans

60 x 60 x 10 mm II

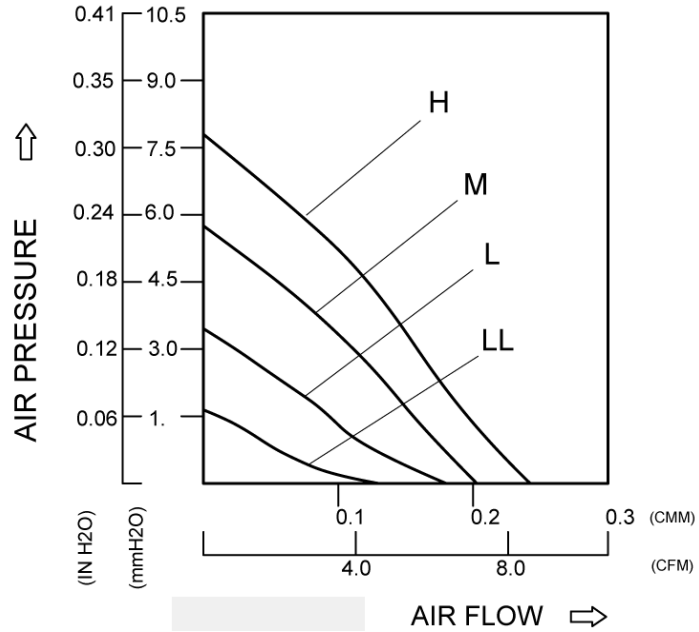
SPECIFICATIONS



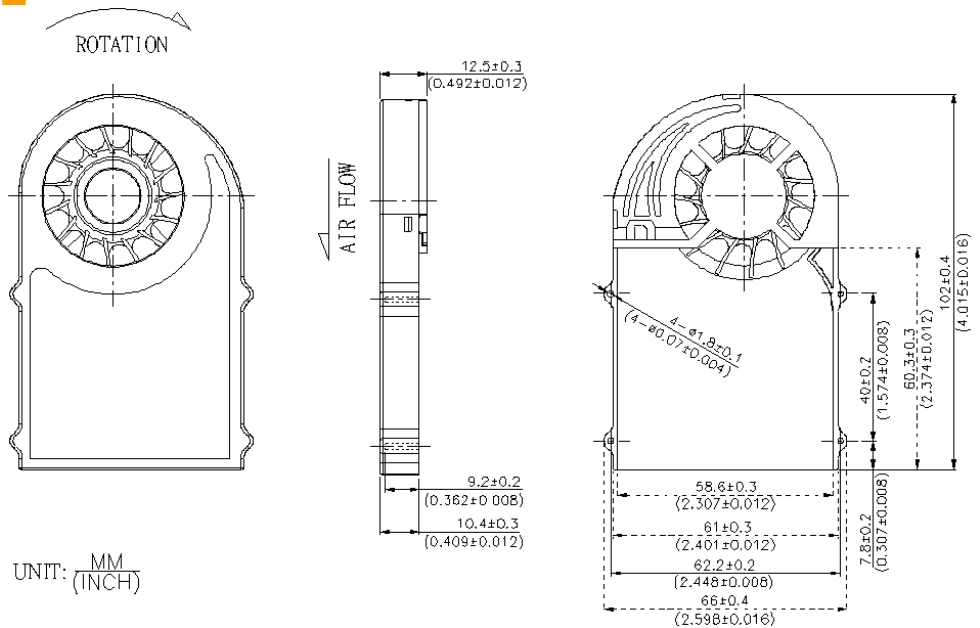
- Bearing Type:  
2 Ball Bearing
- Material  
Impeller: PBT85%+FIBER15%  
(UL 94V-0)  
Frame: PBT70%:+FIBER30%  
(UL 94V-0)
- Lead Wires:  
UL 1007-F  
AWG #24 (2 Pin), #28 (3 Pin)  
(+) Red, (-) Black
- Weight: 23.4 Grams (0.83 oz)
- Standard: 3-Wire, Tacho output,  
12" wire
- Available: 2-Wire  
Locked rotor  
Connector

\* Specifications are subject to change without notice.

P & Q CURVE (AT RATED VOLTAGE)



DIMENSIONS DRAWING



UNIT: MM (INCH)

Model No.	Rated Voltage [V]	Operating Voltage [V]	Rated Current [A]	Actual Current [A]	Rated Power [W]	Rated Speed [RPM]	Max. Air Flow		Max. Static Air Pressure		Noise Level [dBA]	Noise Level Max [dBA]
							CMM	CFM	mmH <sub>2</sub> O	INH <sub>2</sub> O		
FB6010M12B II	12	7-13.8	0.08	0.06	0.96	3000	0.106	3.73	5.66	0.223	23.5	
FB6010H12B II	12	7-13.8	0.12	0.08	1.44	3500	0.131	4.61	7.86	0.309	27.6	
FB6010HH12B II	12	7-13.8	0.22	0.16	2.64	4000	0.153	5.39	10.54	0.415	30.6	
FB6010TH12B II	12	7-13.8	0.35	0.21	4.20	4500	0.148	5.22	11.66	0.459	33.6	