

Blower Fans

60 x 60 x 15 mm II

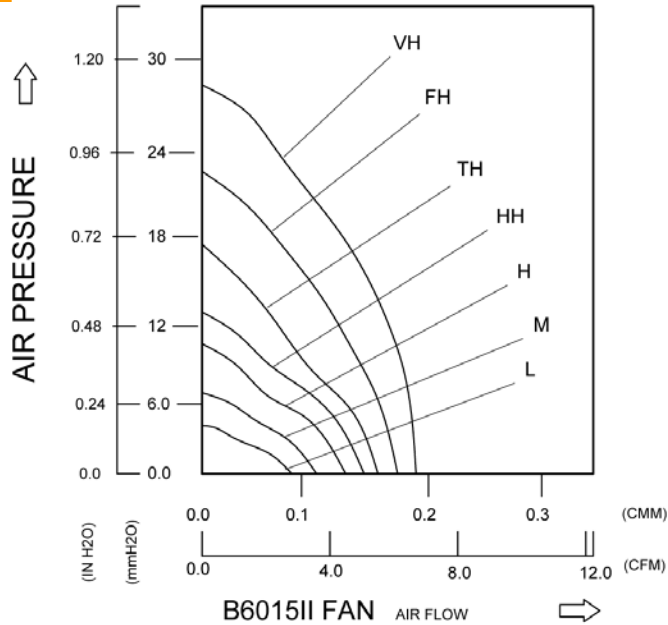
SPECIFICATIONS



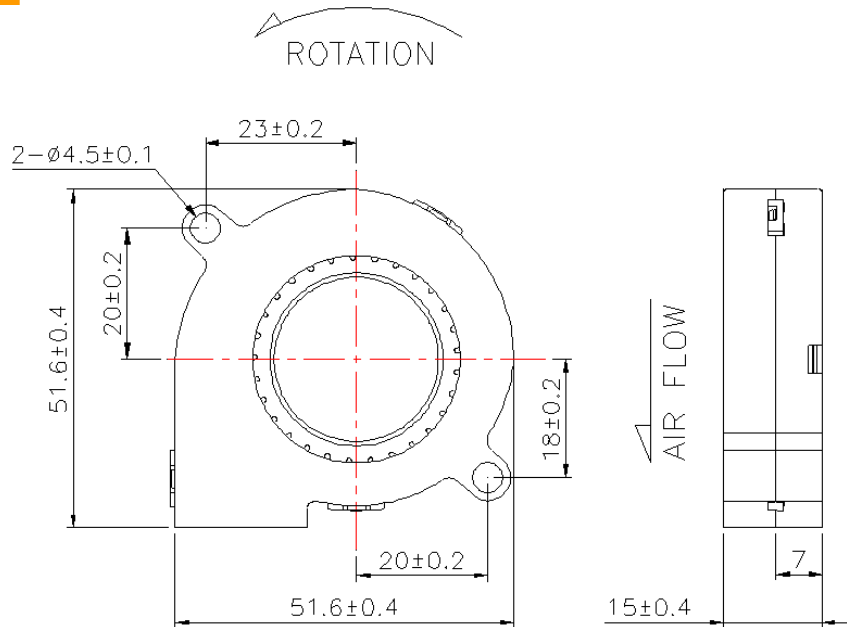
- Bearing Type:
2 Ball Bearing
- Material
Impeller: PBT85%+FIBER15%
(UL 94V-0)
Frame: PBT70%:+FIBER30%
(UL 94V-0)
- Lead Wires:
UL 1007-F
AWG #24 (2 Pin), #28 (3 Pin)
(+) Red, (-) Black
- Weight: 36 Grams (1.27 oz)
- Standard: 3-Wire, Tacho output,
12" wire
- Available: 2-Wire
Locked rotor
Connector

* Specifications are subject to change without notice.

P & Q CURVE (AT RATED VOLTAGE)



DIMENSIONS DRAWING



Model No.	Rated Voltage [V]	Operating Voltage [V]	Rated Current [A]	Actual Current [A]	Rated Power [W]	Rated Speed [RPM]	Max. Air Flow		Max. Static Air Pressure		Noise Level [dBA]	Noise Level Max [dBA]
							CMM	CFM	mmH ₂ O	INH ₂ O		
FB6015L12B II	12	9-13.8	0.08	0.05	0.96	2500	0.087	3.09	4.43	0.174	22.7	
FB6015M12B II	12	6-13.8	0.15	0.08	1.80	3000	0.104	3.69	6.72	0.265	25.6	
FB6015H12B II	12	6-13.8	0.22	0.10	2.64	3500	0.124	4.38	9.76	0.384	29.9	
FB6015HH12B II	12	6-13.8	0.35	0.12	4.20	4000	0.135	4.77	13.60	0.535	33.3	
FB6015TH12B II	12	6-13.8	0.4	0.18	4.80	4500	0.155	5.47	17.90	0.705	36.9	
FB6015FH12B II	12	6-13.8	0.45	0.27	5.40	5000	0.170	6.02	23.30	0.917	40.1	