

Blower Fans 92 x 92 x 25 mm V

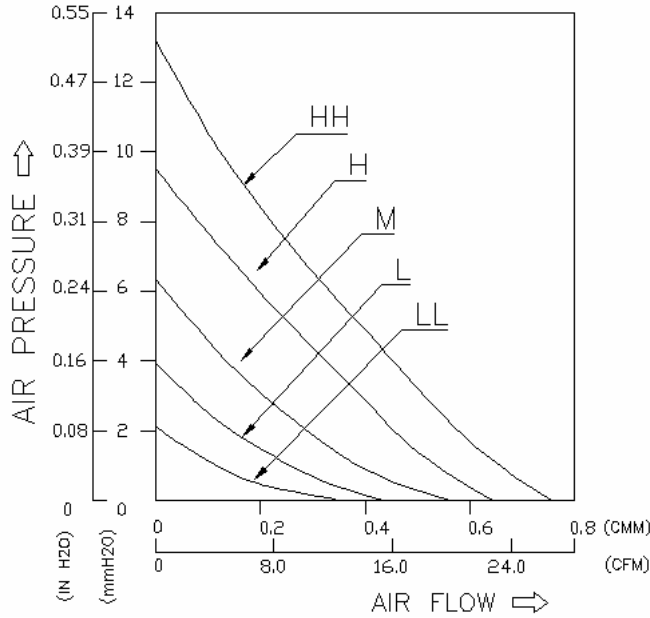
SPECIFICATIONS



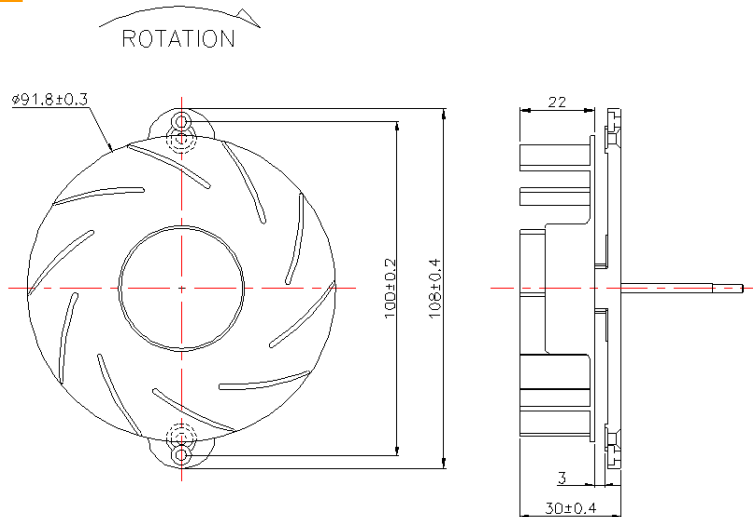
- Bearing Type:
2 Ball Bearing
- Material
Impeller: PBT85%+FIBER15%
(UL 94V-0)
Frame: PBT70%:+FIBER30%
(UL 94V-0)
- Lead Wires:
UL 1007-F
AWG #24 (2 Pin), #28 (3 Pin)
(+) Red, (-) Black
- Weight: 58 Grams (2.05 oz)
- Standard: 3-Wire, Tacho output,
12" wire
- Available: 2-Wire
Locked rotor
Connector

* Specifications are subject to change without notice.

P & Q CURVE (AT RATED VOLTAGE)



DIMENSIONS DRAWING



Model No.	Rated Voltage [V]	Operating Voltage [V]	Rated Current [A]	Actual Current [A]	Rated Power [W]	Rated Speed [RPM]	Max. Air Flow		Max. Static Air Pressure		Noise Level [dBA]	Noise Max [dBA]
							CMM	CFM	mmH ₂ O	INH ₂ O		
FB9225LL12B V	12	8-13.8	0.10	0.08	1.20	1200	0.345	12.17	2.13	0.084	21.8	23.4
FB9225L12B V	12	8-13.8	0.18	0.12	2.16	1600	0.430	15.18	3.99	0.157	26.6	30.0
FB9225M12B V	12	8-13.8	0.28	0.21	3.36	2000	0.566	19.97	6.13	0.241	33.4	35.8
FB9225H12B V	12	8-13.8	0.50	0.36	6.00	2400	0.652	23.02	9.50	0.374	38.2	40.0
FB9225HH12B V	12	8-13.8	0.90	0.71	10.80	2800	0.754	26.61	13.26	0.522	41.9	43.9
FB9225LL24B V	24	18-27.6	0.08	0.03	1.92	1200	0.345	12.17	2.13	0.084	21.8	23.4
FB9225L24B V	24	12-27.6	0.12	0.06	2.88	1600	0.430	15.18	3.99	0.157	26.6	30.0
FB9225M24B V	24	12-27.6	0.18	0.10	4.32	2000	0.566	19.97	6.13	0.241	33.4	35.8
FB9225H24B V	24	12-27.6	0.25	0.15	6.00	2400	0.652	23.02	9.50	0.374	38.2	40.0
FB9225HH24B V	24	12-27.6	0.35	0.23	8.40	2800	0.754	26.61	13.26	0.522	41.9	43.9