

Blower Fans

97 x 97 x 33 mm

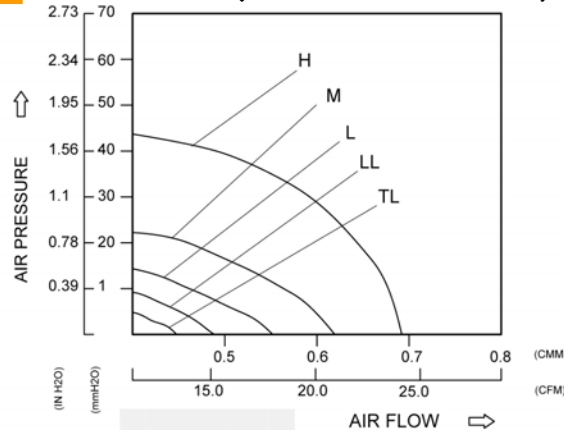
SPECIFICATIONS



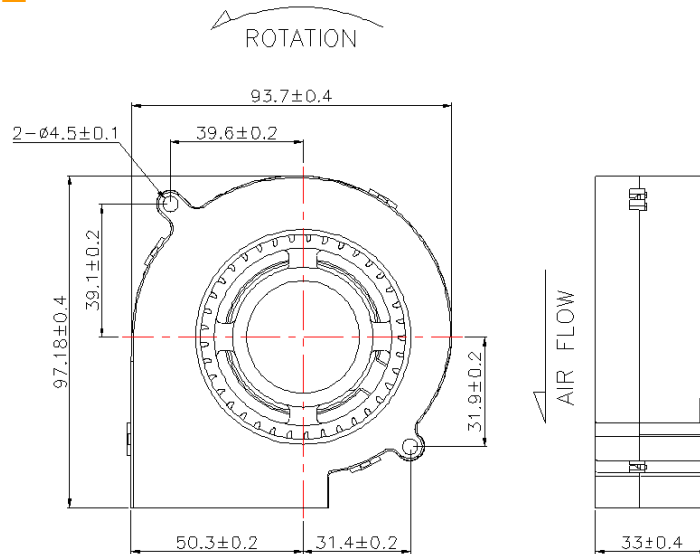
- Bearing Type:
2 Ball Bearing
- Material
Impeller: PBT85%+FIBER15%
(UL 94V-0)
Frame: PBT70%:+FIBER30%
(UL 94V-0)
- Lead Wires:
UL 1007-F
AWG #24 (2 Pin), #28 (3 Pin)
(+) Red, (-) Black
- Weight: 142 Grams (5.01 oz)
- Standard: 3-Wire, Tacho output,
12" wire
- Available: 2-Wire
Locked rotor
Connector

* Specifications are subject to change without notice.

P & Q CURVE (AT RATED VOLTAGE)



DIMENSIONS DRAWING



Model No.	Rated Voltage [V]	Operating Voltage [V]	Rated Current [A]	Actual Current [A]	Rated Power [W]	Rated Speed [RPM]	Max. Air Flow		Max. Static Air Pressure		Noise Level [dBA]	Noise Level Max [dBA]
							CMM	CFM	mmH ₂ O	INH ₂ O		
FB9733TL12B	12	8-13.8	0.12	0.08	1.44	1500	0.294	10.39	3.81	0.150	33.3	35.8
FB9733LL12B	12	8-13.8	0.21	0.14	2.52	2000	0.403	14.24	8.62	0.339	43.0	45.8
FB9733L12B	12	8-13.8	0.36	0.29	4.32	2500	0.509	17.96	12.52	0.493	49.9	53.9
FB9733M12B	12	8-13.8	0.65	0.53	7.80	3000	0.657	23.19	22.62	0.891	53.8	57.9
FB9733H12B	12	8-13.8	1.05	0.90	12.60	3500	0.760	26.84	33.71	1.327	59.2	61.3
FB9733TL24B	24	18-27.6	0.08	0.07	1.92	1500	0.294	10.39	3.81	0.150	33.3	35.8
FB9733LL24B	24	12-27.6	0.13	0.11	3.12	2000	0.403	14.24	8.62	0.339	43.0	45.8
FB9733L24B	24	12-27.6	0.26	0.19	6.24	2500	0.509	17.96	12.52	0.493	49.9	53.9
FB9733M24B	24	12-27.6	0.40	0.35	9.60	3000	0.657	23.19	22.62	0.891	53.8	57.9
FB9733H24B	24	12-27.6	0.58	0.51	13.92	3500	0.760	26.84	33.71	1.327	59.2	61.3
FB9733TL48B	48	38-52.8	0.06	0.04	2.88	1500	0.294	10.39	3.81	0.150	33.3	35.8
FB9733LL48B	48	38-52.8	0.08	0.06	3.84	2000	0.403	14.24	8.62	0.339	43.0	45.8
FB9733L48B	48	38-52.8	0.12	0.11	5.76	2500	0.509	17.96	12.52	0.493	49.9	53.9
FB9733M48B	48	38-52.8	0.22	0.19	10.56	3000	0.657	23.19	22.62	0.891	53.8	57.9