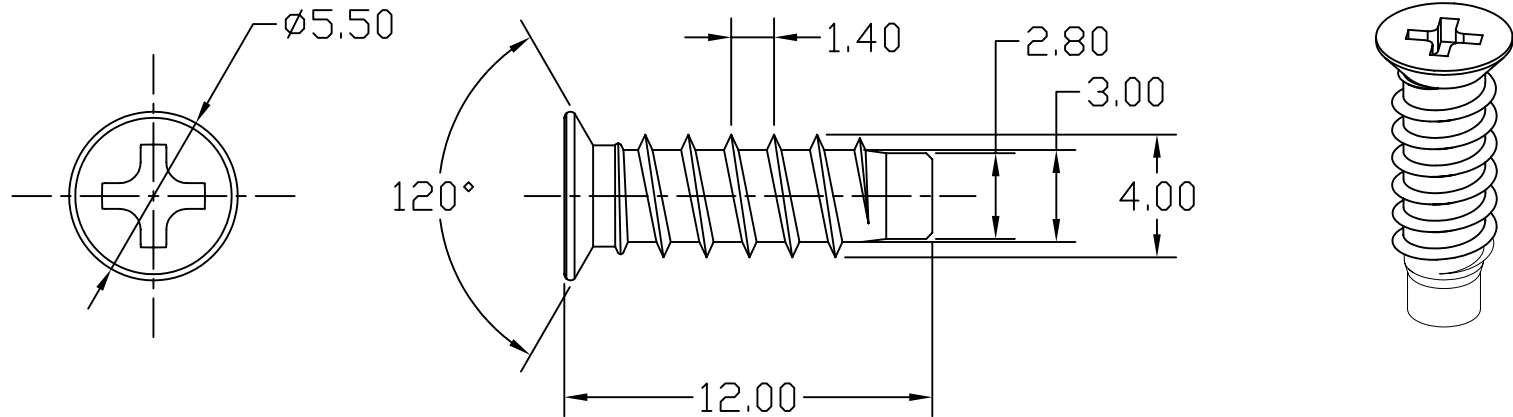



NOTICE - PROPRIETARY INFORMATION
 THE DESIGN AND RELATED INFORMATION CONTAINED HEREIN
 IS THE SOLE PROPERTY OF COFAN INC. THE DISCLOSURE
 OF THIS INFORMATION DOES NOT CONSTITUTE THE RELEASE OF
 ANY PROPRIETARY RIGHTS THEREIN. PERMISSION TO REPRODUCE
 THIS INFORMATION OR THE PRODUCTS DISCLOSED HEREIN
 MUST BE OBTAINED IN WRITING FROM COFAN INC.

Cofan USA Part Number FS4012120



| | | | | | |
|--|-----------------------|--------------------------|--|-------------|----------|
| DO NOT SCALE DRAWING UNLESS OTHERWISE SPECIFIED DIMENSIONS ARE IN MILLIMETRE TOLERANCES ARE: 1 PLACE .X ± 0.4 2 PLACE .XX ± 0.25 3 PLACE .XXX ± 0.13 ANGLES EXCEPT 90° $\pm 1^\circ$ MAXIMUM SURFACE ROUGHNESS 125 $\sqrt{\quad}$ | MATERIAL: | CUSTOMER DRAWING NUMBER: |  1400 FULTON PL. UNIT A FREMONT CA 94539 | | |
| | STEEL | - | NAME: SCREW | | |
| | FINISH: | CUSTOMER PART NUMBER: | SCALE: | CUS REV: | COF REV: |
| | NICKEL PLATING | - | 2:1 | | 01 |
| DRAWN BY: | COFAN DRAWING NUMBER: | SHEET: | | DATE DRAWN: | |
| <i>Dan</i> | - | 1 OF 1 | | Apr-28-2004 | |
| APPR BY: | COFAN PART NUMBER: | | | | |
| | FS4012120 | | | | |