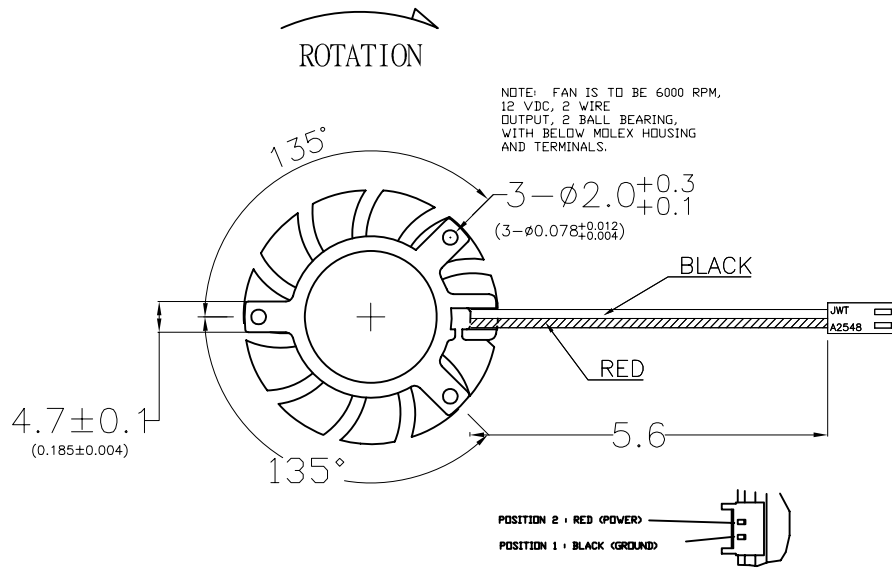
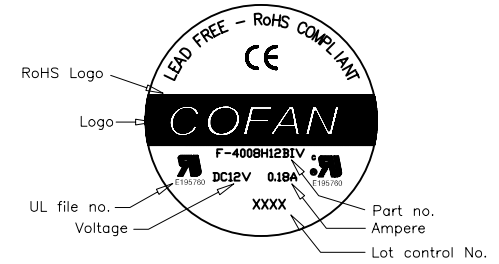


NOTICE - PROPRIETARY INFORMATION
 THE DESIGN AND RELATED INFORMATION CONTAINED HEREIN IS THE SOLE PROPERTY OF COFAN USA INC. THE DISCLOSURE OF THIS INFORMATION DOES NOT CONSTITUTE THE RELEASE OF ANY PROPRIETARY RIGHTS THEREIN. PERMISSION TO REPRODUCE THIS INFORMATION OR THE PRODUCTS DISCLOSED HEREIN MUST BE OBTAINED IN WRITING FROM COFAN USA INC.

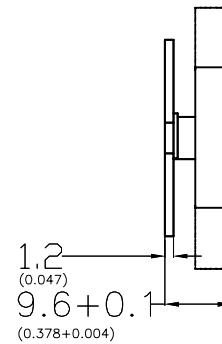
Note: This fan and all parts associated with this fan (including packaging, housings, and pins) either does not contain any hazardous substances such as lead, mercury, or PCB's, or is below acceptable levels, and is in compliance with 2002/95/EC of the European Parliament and of the Council of 27th January, 2003, on the restriction on the use of certain hazardous substances in electrical and electronic equipment.

TO ORDER FAN PER THIS DRAWING USE COFAN PART # F-4008H12B IV
 THIS FAN IS ROHS COMPLAINT
 MTBF: 125K HOURS @ 25°C/70K HOURS @ 45°C.

DC BRUSHLESS FAN
 40 x 40 x 8.6 mm



AIR FLOW



PARTS LIST	
①	1X FAN, F-4008H12BIV
②	1X MOLEX HOUSING 22-01-2025, JWT A2548H00-2P OR EQUIV. 2X MOLEX TERMINAL 08-50-0113, JWT A2543TOP-2 OR EQUIV.

RoHS
 COMPLIANT
 2002/95/EC

COFAN ORDERING PART # F-4008H12BIV

Bearing Type: 2 Ball Bearing

Lead time - 2.5 to 3 weeks

To place order, call Ben at (800) 766-6097 or email to ben@cofan-usa.com

MODEL NO	RATED VOLTAGE V	OPERATING VOLTAGE V	RATED CURRENT A	ACTUAL CURRENT A	RATED POWER W	RATED SPEED RPM	MAX AIR FLOW @ 6000 RPM		MAX PRESSURE @ 6000 RPM		NOISE LEVEL dBA
							CMH	CFM	mmH ₂ O	InH ₂ O	
F-4008H12BIV	12	9-13.8	0.18	0.17	2.16	6000	.085	2.99	7.58	.299	31.0

DO NOT SCALE DRAWING		NAME:	DATE:	CUSTOMER DRAWING NUMBER:	COFAN USA 46177 WARM SPRINGS BLVD FREMONT CA 94539		
UNLESS OTHERWISE SPECIFIED DIMENSIONS ARE IN MILLIMETRE TOLERANCES ARE:		DRAWN BY:	JMJ	7/8/08	CUSTOMER PART NUMBER:	NAME: FAN, 40x8mm, 12V, 2 Ball, Connector, RoHS	
1 PLACE .X	± 0.4	CHECKED BY:			CUSTOMER DRAWING NUMBER:	SCALE:	CUS REV:
2 PLACE .XX	± 0.25	CHECKED BY:			F-4008H12BIV	NONE	01
3 PLACE .XXX	± 0.13	APPR BY:			CUSTOMER DRAWING NUMBER:	SHEET:	DATE DRAWN:
ANGLES EXCEPT 90°	$\pm 0.5^\circ$				F-4008H12BIV	1 OF 1	Jul-08-08
MAXIMUM SURFACE ROUGHNESS	6.4						