

Index

- 50x50x15 mm
- 50x50x20 mm
- 60x60x10 mm I
- 60x60x10 mm II
- 60x60x15 mm I
- 60x60x15 mm II
- 60x60x25 mm
- 75x75x30 mm
- 92x92x25 mm IV
- 92x92x25 mm V
- 97x97x33 mm
- 120x120x25 mm
- 120x120x32 mm



52557

RoHS
compliant
2002/95/EC



UL[®]
C **UL** US
E195760

DC BRUSHLESS FAN



52557



E195760



RoHS
compliant
2002/95/EC

50X50X15



BLOWER FAN

BEARING TYPE

2-Ball Bearing
70K hours* at 40 °C
* Based on estimated MTBF

TEMPERATURE

Storage: -40 ~ +70 °C
Operating: -10 ~ +70 °C

MATERIAL

Impeller: PBT85% + FIBER15% (UL 94V-0)
Frame: PBT85% + FIBER15% (UL 94V-0)

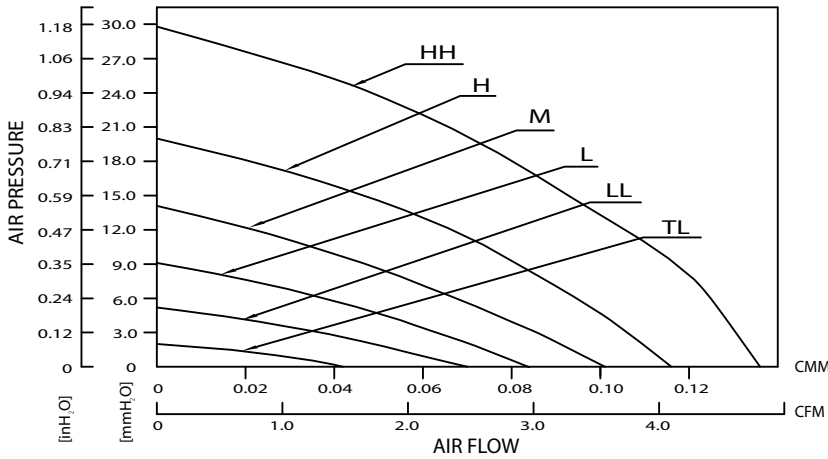
LEAD WIRES 12" wire
UL 1007, AWG #26/28

WEIGHT
24 Grams (0.85 oz.)

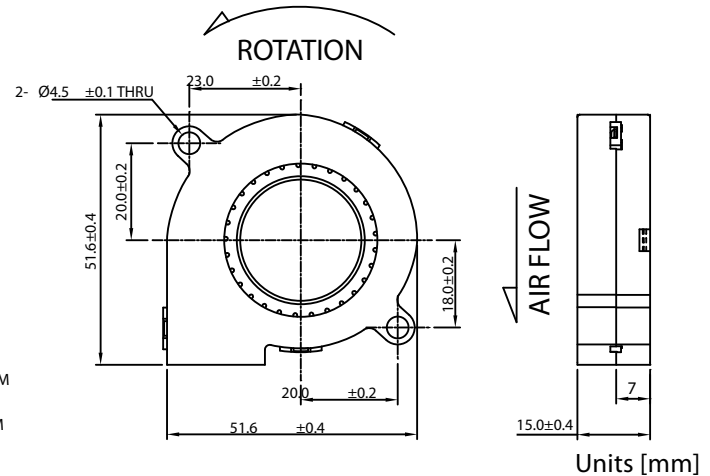
OPTIONAL FEATURES

Tachometer
Temperature Sensor
PWM
Locked Rotor
IP55

AIR PRESSURE vs. AIR FLOW



DIMENSIONS DRAWING



Model Number	Rated Voltage	Operating Voltage	Rated Current	Actual Current	Rated Power	Rated Speed	Maximum Air Flow		Maximum Static Air Pressure		Noise Level
	[V]	[V]	[A]	[A]	[W]	[RPM]	[CMM]	[CFM]	[mmH ₂ O]	[inH ₂ O]	[dBA]
FB5015TL05B	5	4~5.5	0.06	0.04	0.30	2500	0.04	1.49	1.91	0.08	22.40
FB5015LL05B	5	4~5.5	0.10	0.07	0.50	3500	0.07	2.44	5.17	0.20	30.20
FB5015L05B	5	4~5.5	0.15	0.14	0.75	4500	0.08	2.96	9.07	0.36	36.90
FB5015M05B	5	4~5.5	0.25	0.19	1.25	5500	0.10	3.56	14.13	0.56	42.20
FB5015H05B	5	4~5.5	0.35	0.30	1.75	6500	0.12	4.11	20.40	0.80	46.70
FB5015TL12B	12	9~13.8	0.03	0.03	0.36	2500	0.04	1.49	1.91	0.08	22.40
FB5015LL12B	12	9~13.8	0.05	0.04	0.60	3500	0.07	2.44	5.17	0.20	30.20
FB5015L12B	12	9~13.8	0.08	0.08	0.96	4500	0.08	2.96	9.07	0.36	36.90
FB5015M12B	12	6~13.8	0.15	0.11	1.80	5500	0.10	3.56	14.13	0.56	42.20
FB5015H12B	12	6~13.8	0.22	0.15	2.64	6500	0.12	4.11	20.40	0.80	46.70
FB5015HH12B	12	6~13.8	0.35	0.25	4.20	7500	0.14	4.82	29.87	1.18	49.90

** Specifications are subject to change without notice.

WWW.COFAN-USA.COM



46177 Warm Springs Blvd, Fremont, CA 94539

TEL (800) 766-6097, (510) 490-7533 | FAX (510) 490-7931 | info@cofan-usa.com

DC BRUSHLESS FAN



52557



E195760



RoHS
compliant
2002/95/EC

50X50X20



BLOWER FAN

BEARING TYPE

2-Ball Bearing
70K hours* at 40 °C
* Based on estimated MTBF

TEMPERATURE

Storage: -40 ~ +70 °C
Operating: -10 ~ +70 °C

MATERIAL

Impeller: PBT85% + FIBER15% (UL 94V-0)
Frame: PBT85% + FIBER15% (UL 94V-0)

LEAD WIRES

12" wire
UL 1007, AWG #26/28

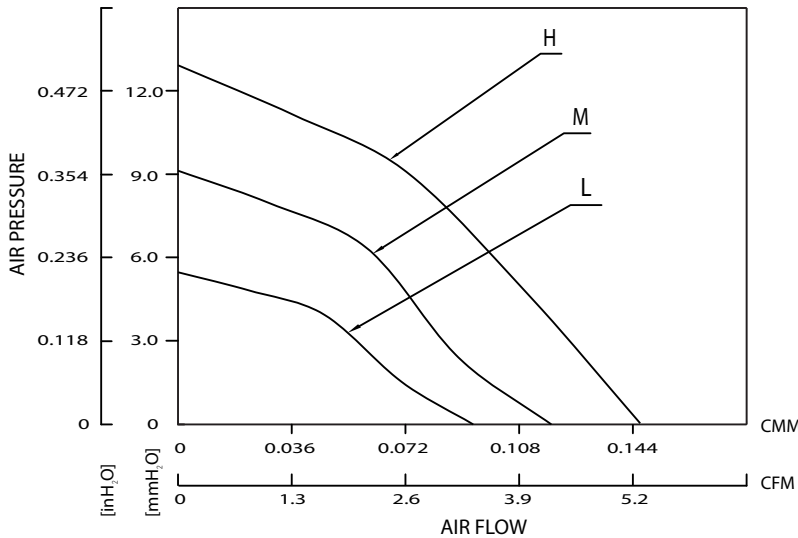
WEIGHT

28 Grams (0.99 oz.)

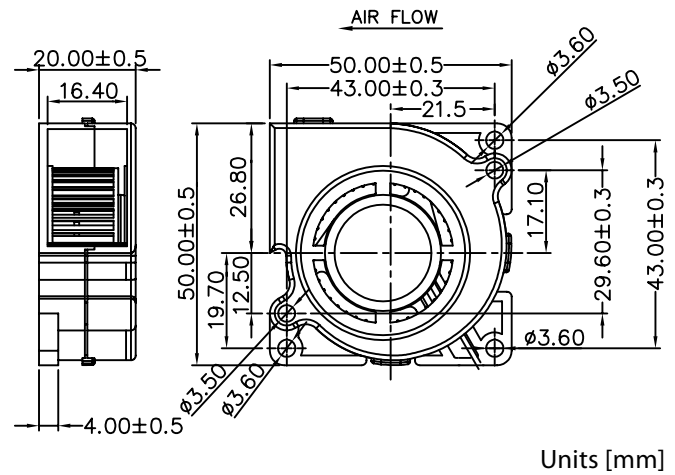
OPTIONAL FEATURES

Tachometer
Temperature Sensor
PWM
Locked Rotor
IP55

AIR PRESSURE vs. AIR FLOW



DIMENSIONS DRAWING



Units [mm]

Model Number	Rated Voltage	Operating Voltage	Rated Current	Actual Current	Rated Power	Rated Speed	Maximum Air Flow		Maximum Static Air Pressure		Noise Level
	[V]	[V]	[A]	[A]	[W]	[RPM]	[CMM]	[CFM]	[mmH ₂ O]	[inH ₂ O]	[dBA]
FB5020L12B-01	12	10.8~13.2	0.09	0.06	0.72	4000	0.09	3.29	0.21	5.33	26.40
FB5020M12B-01	12	10.8~13.2	0.12	0.09	1.08	5000	0.12	4.28	0.36	9.12	32.50
FB5020M12B-02	12	10.8~13.2	0.12	0.08	1.44	4400	0.11	3.76	0.32	8.02	28.60
FB5020H12B-01	12	10.8~13.2	0.17	0.14	1.68	6000	0.15	5.20	0.51	12.90	37.00

** Specifications are subject to change without notice.

WWW.COFAN-USA.COM



46177 Warm Springs Blvd, Fremont, CA 94539

TEL (800) 766-6097, (510) 490-7533 | FAX (510) 490-7931 | info@cofan-usa.com

DC BRUSHLESS FAN



52557



E195760



RoHS
compliant
2002/95/EC

60X60X10 I



BLOWER FAN

BEARING TYPE

2-Ball Bearing
70K hours* at 40 °C
* Based on estimated MTBF

TEMPERATURE

Storage: -40 ~ +70 °C
Operating: -10 ~ +70 °C

MATERIAL

Impeller: PBT85% + FIBER15% (UL 94V-0)
Frame: PBT85% + FIBER15% (UL 94V-0)

LEAD WIRES

12" wire
UL 1007, AWG #26/28

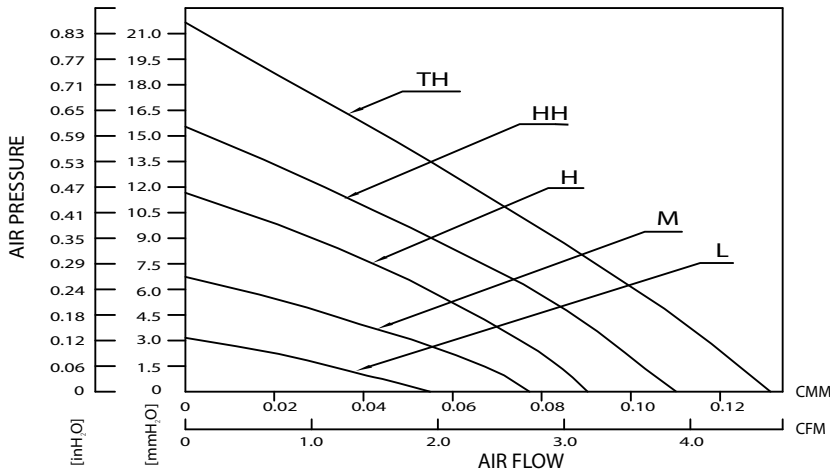
WEIGHT

20 Grams (0.71 oz.)

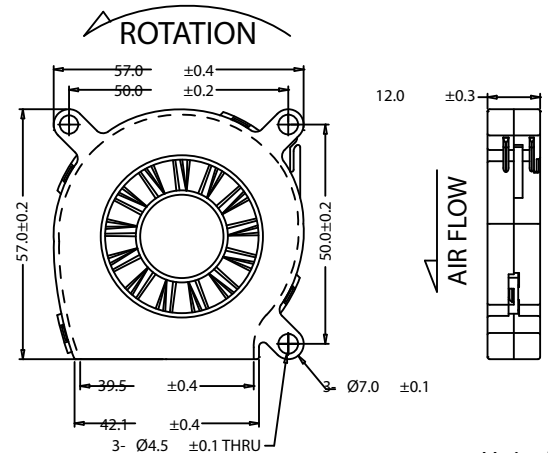
OPTIONAL FEATURES

Tachometer
Temperature Sensor
PWM
Locked Rotor
IP55

AIR PRESSURE vs. AIR FLOW



DIMENSIONS DRAWING



Units [mm]

Model Number	Rated Voltage	Operating Voltage	Rated Current	Actual Current	Rated Power	Rated Speed	Maximum Air Flow		Maximum Static Air Pressure		Noise Level
	[V]	[V]	[A]	[A]	[W]	[RPM]	[CMM]	[CFM]	[mmH ₂ O]	[inH ₂ O]	[dBA]
FB6010L05B I	5	4.5~5.5	0.08	0.06	0.40	2500	0.06	1.95	3.06	0.12	21.70
FB6010M05B I	5	4~5.5	0.15	0.10	0.75	3500	0.08	2.73	6.75	0.27	27.20
FB6010H05B I	5	4~5.5	0.25	0.24	1.25	4500	0.09	3.19	11.78	0.46	30.80
FB6010L12B I	12	10.8~13.8	0.05	0.06	0.60	2500	0.06	1.95	3.06	0.12	21.70
FB6010M12B I	12	9~13.8	0.08	0.07	0.96	3500	0.08	2.73	6.75	0.27	27.20
FB6010H12B I	12	6~13.8	0.12	0.11	1.44	4500	0.09	3.19	11.78	0.46	30.80
FB6010HH12B I	12	6~13.8	0.22	0.17	2.64	5500	0.11	3.89	15.40	0.61	36.60
FB6010TH12B I	12	6~13.8	0.35	0.22	4.20	6500	0.13	4.64	21.93	0.86	44.20

** Specifications are subject to change without notice.

WWW.COFAN-USA.COM



46177 Warm Springs Blvd, Fremont, CA 94539

TEL (800) 766-6097, (510) 490-7533 | FAX (510) 490-7931 | info@cofan-usa.com

DC BRUSHLESS FAN



52557



E195760



RoHS
compliant
2002/95/EC

60X60X10 II



BLOWER FAN

BEARING TYPE

2-Ball Bearing
70K hours* at 40 °C
* Based on estimated MTBF

TEMPERATURE

Storage: -40 ~ +70 °C
Operating: -10 ~ +70 °C

MATERIAL

Impeller: PBT85% + FIBER15% (UL 94V-0)
Frame: PBT85% + FIBER15% (UL 94V-0)

LEAD WIRES 12" wire
UL 1007, AWG #26/28

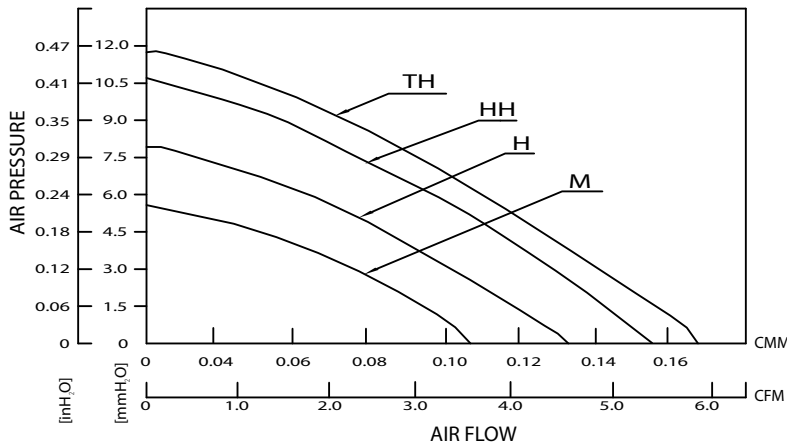
WEIGHT

23.4 Grams (0.83 oz.)

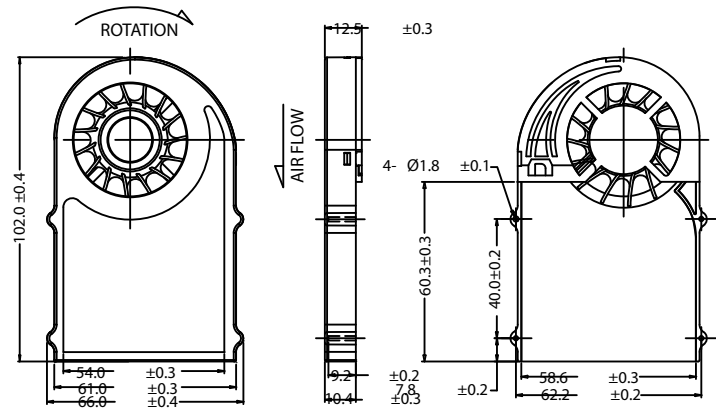
OPTIONAL FEATURES

Tachometer
Temperature Sensor
PWM
Locked Rotor
IP55

AIR PRESSURE vs. AIR FLOW



DIMENSIONS DRAWING



Units [mm]

Model Number	Rated Voltage	Operating Voltage	Rated Current	Actual Current	Rated Power	Rated Speed	Maximum Air Flow		Maximum Static Air Pressure		Noise Level
	[V]	[V]	[A]	[A]	[W]	[RPM]	[CMM]	[CFM]	[mmH ₂ O]	[inH ₂ O]	[dBA]
FB6010M12B II	12	7~13.8	0.08	0.06	0.96	3000	0.11	3.73	5.66	0.22	23.50
FB6010H12B II	12	7~13.8	0.12	0.08	1.44	3500	0.13	4.61	7.86	0.31	27.60
FB6010HH12B II	12	7~13.8	0.22	0.16	2.64	4000	0.15	5.39	10.54	0.42	30.60
FB6010TH12B II	12	7~13.8	0.35	0.21	4.20	4500	0.15	5.22	11.66	0.46	33.60

** Specifications are subject to change without notice.

WWW.COFAN-USA.COM



46177 Warm Springs Blvd, Fremont, CA 94539

TEL (800) 766-6097, (510) 490-7533 | FAX (510) 490-7931 | info@cofan-usa.com

DC BRUSHLESS FAN



52557



E195760



RoHS
compliant
2002/95/EC

60X60X15 I

BEARING TYPE

2-Ball Bearing
70K hours* at 40 °C
* Based on estimated MTBF

LEAD WIRES

12" wire
UL 1007, AWG #26/28

WEIGHT

41.0 Grams (1.45 oz.)

TEMPERATURE

Storage: -40 ~ +70 °C
Operating: -10 ~ +70 °C

OPTIONAL FEATURES

Tachometer
Temperature Sensor
PWM
Locked Rotor
IP55

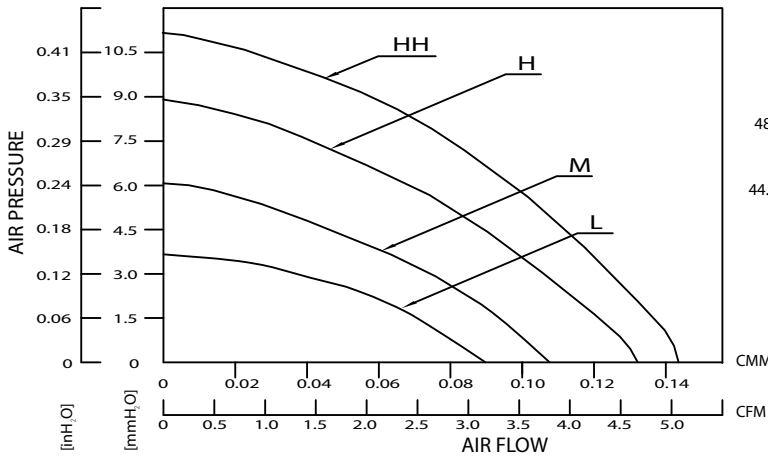
MATERIAL

Impeller: PBT85% + FIBER15% (UL 94V-0)
Frame: PBT70% + FIBER30% (UL 94V-0)

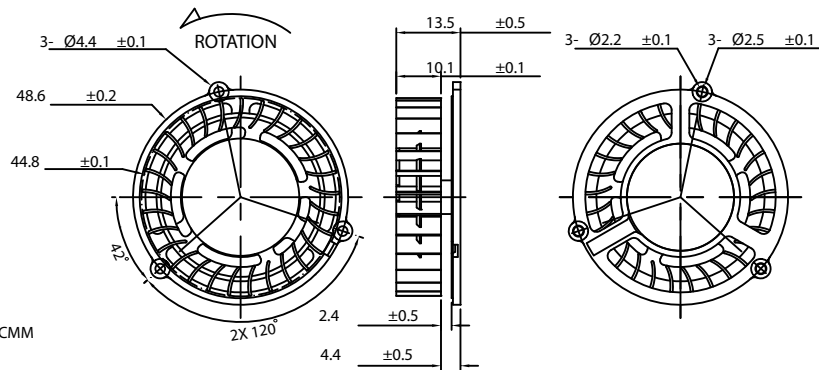


BLOWER FAN

AIR PRESSURE vs. AIR FLOW



DIMENSIONS DRAWING



Units [mm]

Model Number	Rated Voltage	Operating Voltage	Rated Current	Actual Current	Rated Power	Rated Speed	Maximum Air Flow		Maximum Static Air Pressure		Noise Level
	[V]	[V]	[A]	[A]	[W]	[RPM]	[CMM]	[CFM]	[mmH ₂ O]	[inH ₂ O]	[dBA]
FB6015L12B I	12	6~13.8	0.08	0.08	0.96	2500	0.09	3.17	3.82	0.15	22.00
FB6015M12B I	12	6~13.8	0.15	0.13	1.80	3000	0.11	3.80	6.02	0.24	23.68
FB6015H12B I	12	6~13.8	0.22	0.15	2.64	3500	0.13	4.67	8.98	0.35	25.00
FB6015HH12B I	12	6~13.8	0.35	0.20	4.20	3800	0.14	5.07	11.12	0.44	26.50

** Specifications are subject to change without notice.

WWW.COFAN-USA.COM



46177 Warm Springs Blvd, Fremont, CA 94539

TEL (800) 766-6097, (510) 490-7533 | FAX (510) 490-7931 | info@cofan-usa.com

DC BRUSHLESS FAN



52557



E195760



RoHS
compliant
2002/95/EC

60X60X15 II



BLOWER FAN

BEARING TYPE

2-Ball Bearing
70K hours* at 40 °C
* Based on estimated MTBF

TEMPERATURE

Storage: -40 ~ +70 °C
Operating: -10 ~ +70 °C

MATERIAL

Impeller: PBT85% + FIBER15% (UL 94V-0)
Frame: PBT70% + FIBER30% (UL 94V-0)

LEAD WIRES

12" wire
UL 1007, AWG #26/28

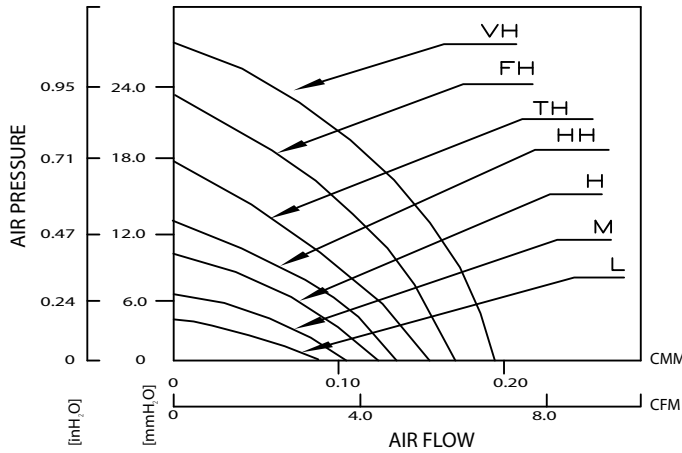
WEIGHT

36.0 Grams (1.27 oz.)

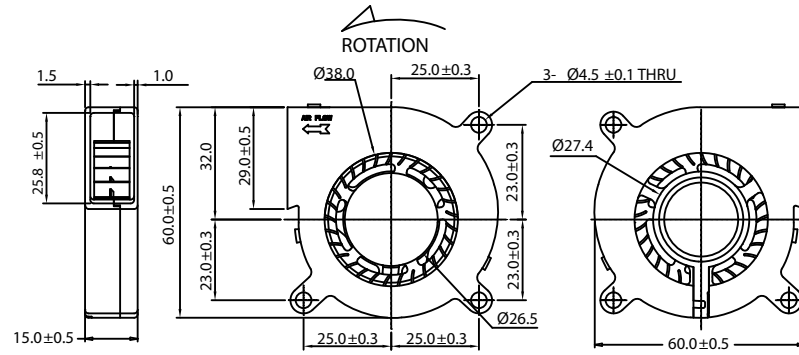
OPTIONAL FEATURES

Tachometer
Temperature Sensor
PWM
Locked Rotor
IP55

AIR PRESSURE vs. AIR FLOW



DIMENSIONS DRAWING



Units [mm]

Model Number	Rated Voltage	Operating Voltage	Rated Current	Actual Current	Rated Power	Rated Speed	Maximum Air Flow		Maximum Static Air Pressure		Noise Level
	[V]	[V]	[A]	[A]	[W]	[RPM]	[CMM]	[CFM]	[mmH ₂ O]	[inH ₂ O]	[dBA]
FB6015L12B II	12	9~13.8	0.08	0.05	0.96	2500	0.09	3.09	4.43	0.17	22.70
FB6015M12B II	12	6~13.8	0.15	0.08	1.80	3000	0.10	3.69	6.72	0.27	25.60
FB6015H12B II	12	6~13.8	0.22	0.10	2.64	3500	0.12	4.38	9.76	0.38	29.90
FB6015HH12B II	12	6~13.8	0.35	0.12	4.20	4000	0.14	4.77	13.60	0.54	33.30
FB6015TH12B II	12	6~13.8	0.40	0.18	4.80	4500	0.16	5.47	17.90	0.71	36.90
FB6015FH12B II	12	6~13.8	0.45	0.27	5.40	5000	0.17	6.02	23.30	0.92	40.10
FB6015VH12B II	12	6~13.8	0.50	0.23	6.00	5500	0.19	6.83	27.00	1.06	41.90

** Specifications are subject to change without notice.

WWW.COFAN-USA.COM



46177 Warm Springs Blvd, Fremont, CA 94539

TEL (800) 766-6097, (510) 490-7533 | FAX (510) 490-7931 | info@cofan-usa.com

DC BRUSHLESS FAN



52557



E195760



RoHS
compliant
2002/95/EC

60X60X25



BLOWER FAN

BEARING TYPE

2-Ball Bearing
70K hours* at 40 °C
* Based on estimated MTBF

TEMPERATURE

Storage: -40 ~ +70 °C
Operating: -10 ~ +70 °C

MATERIAL

Impeller: PBT85% + FIBER15% (UL 94V-0)
Frame: PBT70% + FIBER30% (UL 94V-0)

LEAD WIRES 12" wire
UL 1007, AWG #26/28

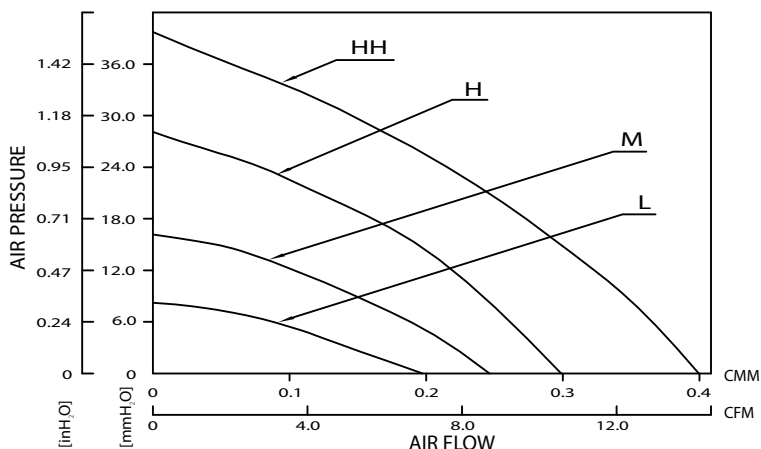
WEIGHT

52.0 Grams (1.83 oz.)

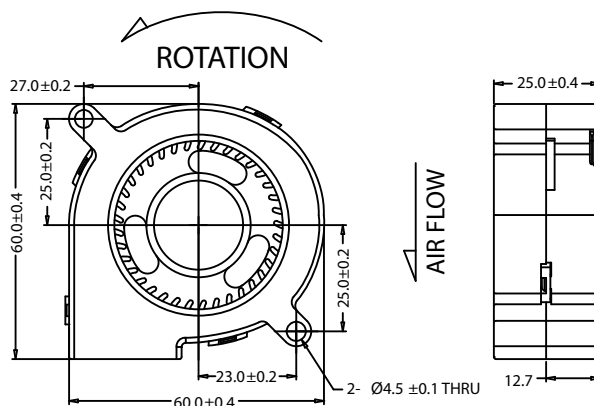
OPTIONAL FEATURES

Tachometer
Temperature Sensor
PWM
Locked Rotor
IP55

AIR PRESSURE vs. AIR FLOW



DIMENSIONS DRAWING



Units [mm]

Model Number	Rated Voltage	Operating Voltage	Rated Current	Actual Current	Rated Power	Rated Speed	Maximum Air Flow		Maximum Static Air Pressure		Noise Level
	[V]	[V]	[A]	[A]	[W]	[RPM]	[CMM]	[CFM]	[mmH ₂ O]	[inH ₂ O]	[dBA]
FB6025L12B	12	6~13.8	0.13	0.10	1.56	2500	0.20	6.97	8.36	0.33	25.90
FB6025M12B	12	6~13.8	0.26	0.22	3.12	3500	0.25	8.70	16.40	0.65	37.30
FB6025H12B	12	6~13.8	0.46	0.40	5.52	4500	0.30	10.55	28.10	1.11	43.30
FB6025HH12B	12	6~13.8	0.50	0.45	6.00	5500	0.39	13.76	39.70	1.56	50.40
FB6025L24B	24	16~27.6	0.08	0.06	1.92	2500	0.20	6.97	8.36	0.33	25.90
FB6025M24B	24	16~27.6	0.15	0.12	3.60	3500	0.25	8.70	16.40	0.65	37.30
FB6025H24B	24	16~27.6	0.24	0.20	5.76	4500	0.30	10.55	28.10	1.11	43.30
FB6025L48B	48	30~52.8	0.07	0.05	3.36	2500	0.20	6.97	8.36	0.33	25.90
FB6025M48B	48	30~52.8	0.10	0.08	4.80	3500	0.25	8.70	16.40	0.65	37.30

** Specifications are subject to change without notice.

WWW.COFAN-USA.COM



46177 Warm Springs Blvd, Fremont, CA 94539

TEL (800) 766-6097, (510) 490-7533 | FAX (510) 490-7931 | info@cofan-usa.com

DC BRUSHLESS FAN



52557



E195760



RoHS
compliant
2002/95/EC

75X75X30



BLOWER FAN

BEARING TYPE

2-Ball Bearing
70K hours* at 40 °C
* Based on estimated MTBF

TEMPERATURE

Storage: -40 ~ +70 °C
Operating: -10 ~ +70 °C

MATERIAL

Impeller: PBT85% + FIBER15% (UL 94V-0)
Frame: PBT70% + FIBER30% (UL 94V-0)

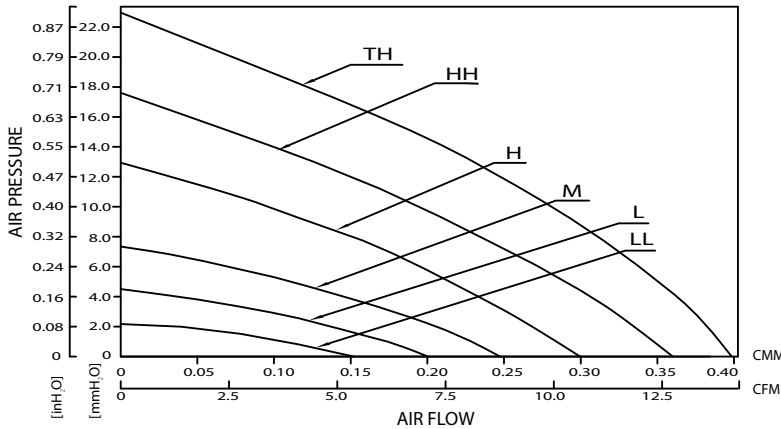
LEAD WIRES 12" wire
UL 1007, AWG #26/28

WEIGHT
61.0 Grams (2.15 oz.)

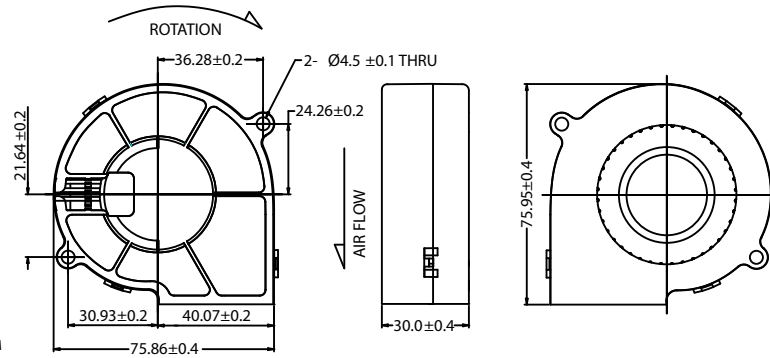
OPTIONAL FEATURES

Tachometer
Temperature Sensor
PWM
Locked Rotor
IP55

AIR PRESSURE vs. AIR FLOW



DIMENSIONS DRAWING



Units [mm]

Model Number	Rated Voltage	Operating Voltage	Rated Current	Actual Current	Rated Power	Rated Speed	Maximum Air Flow		Maximum Static Air Pressure		Noise Level
	[V]	[V]	[A]	[A]	[W]	[RPM]	[CMM]	[CFM]	[mmH ₂ O]	[inH ₂ O]	[dBA]
FB7530LL12B	12	6~13.8	0.08	0.08	0.96	1500	0.15	5.37	2.17	0.09	23.40
FB7530L12B	12	6~13.8	0.12	0.11	1.44	2000	0.20	7.08	4.50	0.18	27.80
FB7530M12B	12	6~13.8	0.20	0.15	2.40	2500	0.25	8.74	7.34	0.29	33.10
FB7530H12B	12	6~13.8	0.30	0.23	3.60	3000	0.30	10.58	12.94	0.51	38.10
FB7530HH12B	12	6~13.8	0.38	0.36	4.56	3500	0.36	12.72	17.61	0.69	42.40
FB7530TH12B	12	6~13.8	0.60	0.51	7.20	4000	0.40	14.07	22.97	0.90	46.60
FB7530LL24B	24	12~27.6	0.09	0.07	2.16	1500	0.15	5.37	2.17	0.09	23.40
FB7530L24B	24	12~27.6	0.11	0.09	2.64	2000	0.20	7.08	4.50	0.18	27.80
FB7530M24B	24	12~27.6	0.13	0.10	3.12	2500	0.25	8.74	7.34	0.29	33.10
FB7530H24B	24	12~27.6	0.17	0.14	4.08	3000	0.30	10.58	12.94	0.51	38.10
FB7530HH24B	24	12~27.6	0.27	0.23	6.48	3500	0.36	12.72	17.61	0.69	42.40
FB7530TH24B	24	12~27.6	0.34	0.30	8.16	4000	0.40	14.07	22.97	0.90	46.60
FB7530M48B	48	24~52.8	0.10	0.08	4.80	2500	0.25	8.74	7.34	0.29	33.10
FB7530H48B	48	24~52.8	0.14	0.11	6.72	3000	0.30	10.58	12.94	0.51	38.10
FB7530HH48B	48	24~52.8	0.18	0.15	8.64	3500	0.36	12.72	17.61	0.69	42.40
FB7530TH48B	48	24~52.8	0.26	0.22	12.48	4000	0.40	14.07	22.97	0.90	46.60

** Specifications are subject to change without notice.

WWW.COFAN-USA.COM



46177 Warm Springs Blvd, Fremont, CA 94539

TEL (800) 766-6097, (510) 490-7533 | FAX (510) 490-7931 | info@cofan-usa.com

DC BRUSHLESS FAN



52557



E195760



RoHS
compliant
2002/95/EC

92X92X25 IV



BLOWER FAN

BEARING TYPE

2-Ball Bearing
70K hours* at 40 °C
* Based on estimated MTBF

TEMPERATURE

Storage: -40 ~ +70 °C
Operating: -10 ~ +70 °C

MATERIAL

Impeller: PBT85% + FIBER15% (UL 94V-0)
Frame: PBT70% + FIBER30% (UL 94V-0)

LEAD WIRES 12" wire
UL 1007, AWG #26/28

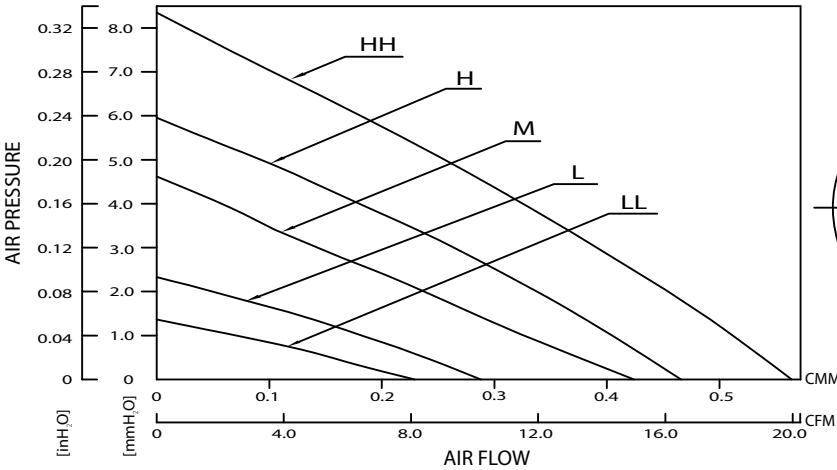
WEIGHT

54.0 Grams (1.90 oz.)

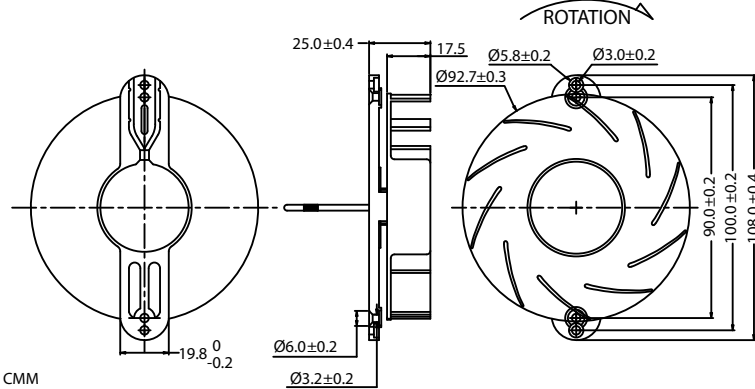
OPTIONAL FEATURES

Tachometer
Temperature Sensor
PWM
Locked Rotor
IP55

AIR PRESSURE vs. AIR FLOW



DIMENSIONS DRAWING



Units [mm]

Model Number	Rated Voltage	Operating Voltage	Rated Current	Actual Current	Rated Power	Rated Speed	Maximum Air Flow		Maximum Static Air Pressure		Noise Level
	[V]	[V]	[A]	[A]	[W]	[RPM]	[CMM]	[CFM]	[mmH ₂ O]	[inH ₂ O]	[dBA]
FB9225LL12B IV	12	8~13.8	0.10	0.06	1.20	1200	0.23	8.06	1.37	0.05	20.10
FB9225L12B IV	12	8~13.8	0.18	0.08	2.16	1600	0.29	10.18	2.34	0.09	27.80
FB9225M12B IV	12	8~13.8	0.28	0.16	3.36	2000	0.41	14.29	4.19	0.17	33.30
FB9225H12B IV	12	8~13.8	0.50	0.28	6.00	2400	0.47	16.60	5.98	0.24	38.00
FB9225HH12B IV	12	8~13.8	0.90	0.58	10.80	2800	0.56	19.93	8.33	0.33	42.10
FB9225LL24B IV	24	18~27.6	0.08	0.03	1.92	1200	0.23	8.06	1.37	0.05	20.10
FB9225L24B IV	24	12~27.6	0.12	0.06	2.88	1600	0.29	10.18	2.34	0.09	27.80
FB9225M24B IV	24	12~27.6	0.18	0.10	4.32	2000	0.41	14.29	4.19	0.17	33.30
FB9225H24B IV	24	12~27.6	0.25	0.15	6.00	2400	0.47	16.60	5.98	0.24	38.00
FB9225HH24B IV	24	12~27.6	0.35	0.23	8.40	2800	0.56	19.93	8.33	0.33	42.10

** Specifications are subject to change without notice.

WWW.COFAN-USA.COM



46177 Warm Springs Blvd, Fremont, CA 94539

TEL (800) 766-6097, (510) 490-7533 | FAX (510) 490-7931 | info@cofan-usa.com

DC BRUSHLESS FAN



52557



E195760



RoHS
compliant
2002/95/EC

92X92X25 V



BLOWER FAN

BEARING TYPE

2-Ball Bearing
70K hours* at 40 °C
* Based on estimated MTBF

TEMPERATURE

Storage: -40 ~ +70 °C
Operating: -10 ~ +70 °C

MATERIAL

Impeller: PBT85% + FIBER15% (UL 94V-0)
Frame: PBT70% + FIBER30% (UL 94V-0)

LEAD WIRES 12" wire
UL 1007, AWG #26/28

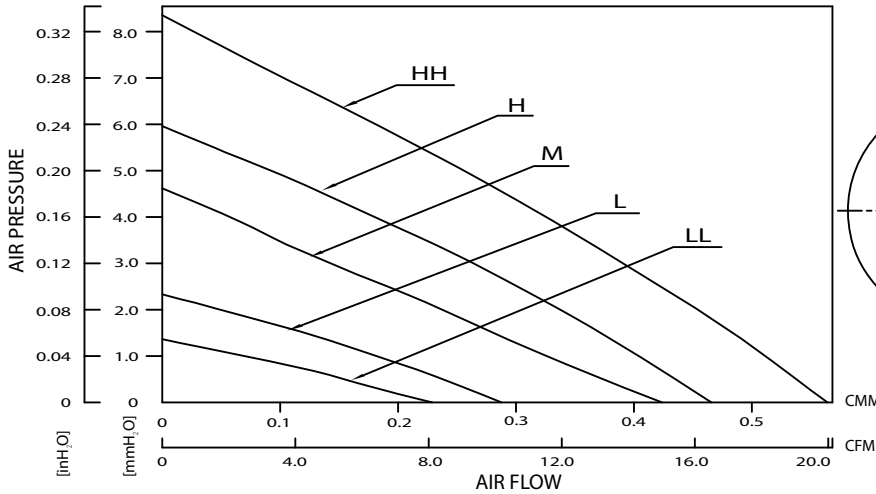
WEIGHT

58.0 Grams (2.05 oz.)

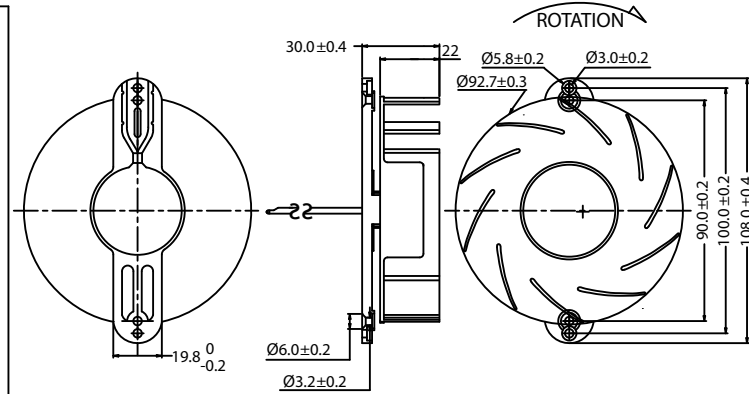
OPTIONAL FEATURES

Tachometer
Temperature Sensor
PWM
Locked Rotor
IP55

AIR PRESSURE vs. AIR FLOW



DIMENSIONS DRAWING



Units [mm]

Model Number	Rated Voltage	Operating Voltage	Rated Current	Actual Current	Rated Power	Rated Speed	Maximum Air Flow		Maximum Static Air Pressure		Noise Level
	[V]	[V]	[A]	[A]	[W]	[RPM]	[CMM]	[CFM]	[mmH ₂ O]	[inH ₂ O]	[dBA]
FB9225LL12B V	12	8~13.8	0.10	0.08	1.20	1200	0.35	12.17	2.13	0.08	21.80
FB9225L12B V	12	8~13.8	0.18	0.12	2.16	1600	0.43	15.18	3.99	0.16	26.60
FB9225M12B V	12	8~13.8	0.28	0.21	3.36	2000	0.57	19.97	6.13	0.24	33.40
FB9225H12B V	12	8~13.8	0.50	0.36	6.00	2400	0.65	23.02	9.50	0.37	38.20
FB9225HH12B V	12	8~13.8	0.90	0.71	10.80	2800	0.75	26.61	13.26	0.52	41.90
FB9225LL24B V	24	18~27.6	0.08	0.03	1.92	1200	0.35	12.17	2.13	0.08	21.80
FB9225L24B V	24	12~27.6	0.12	0.06	2.88	1600	0.43	15.18	3.99	0.16	26.60
FB9225M24B V	24	12~27.6	0.18	0.10	4.32	2000	0.57	19.97	6.13	0.24	33.40
FB9225H24B V	24	12~27.6	0.25	0.15	6.00	2400	0.65	23.02	9.50	0.37	38.20
FB9225HH24B V	24	12~27.6	0.35	0.23	8.40	2800	0.75	26.61	13.26	0.52	41.90

** Specifications are subject to change without notice.

WWW.COFAN-USA.COM



46177 Warm Springs Blvd, Fremont, CA 94539

TEL (800) 766-6097, (510) 490-7533 | FAX (510) 490-7931 | info@cofan-usa.com

DC BRUSHLESS FAN



52557



E195760



RoHS
compliant
2002/95/EC

97X97X33

BEARING TYPE

2-Ball Bearing
70K hours* at 40 °C
* Based on estimated MTBF

LEAD WIRES

12" wire
UL 1007, AWG #26/28

TEMPERATURE

Storage: -40 ~ +70 °C
Operating: -10 ~ +70 °C

WEIGHT

142.0 Grams (5.01 oz.)

OPTIONAL FEATURES

Tachometer
Temperature Sensor
PWM
Locked Rotor
IP55

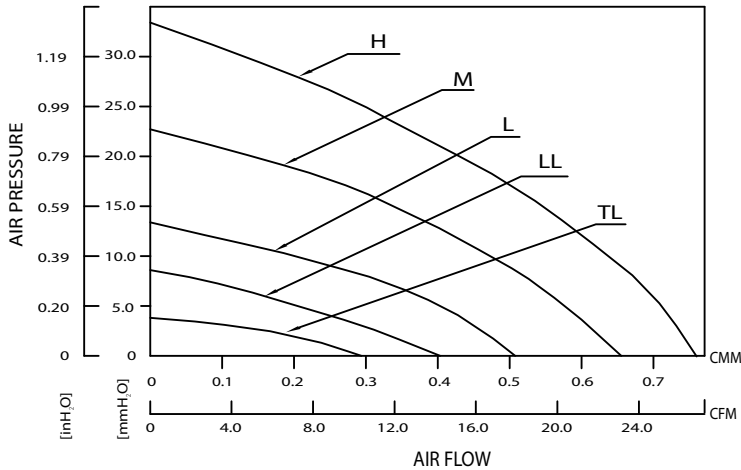
MATERIAL

Impeller: PBT85% + FIBER15% (UL 94V-0)
Frame: PBT70% + FIBER30% (UL 94V-0)

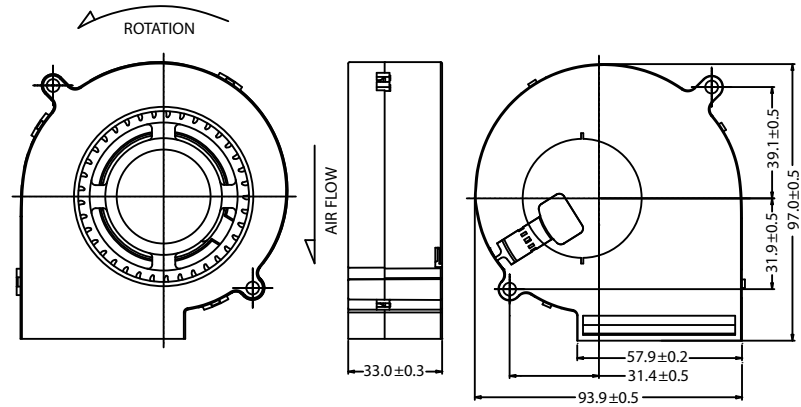


BLOWER FAN

AIR PRESSURE vs. AIR FLOW



DIMENSIONS DRAWING



Units [mm]

Model Number	Rated Voltage	Operating Voltage	Rated Current	Actual Current	Rated Power	Rated Speed	Maximum Air Flow		Maximum Static Air Pressure		Noise Level
	[V]	[V]	[A]	[A]	[W]	[RPM]	[CMM]	[CFM]	[mmH ₂ O]	[inH ₂ O]	[dBA]
FB9733TL12B	12	8~13.8	0.12	0.08	1.44	1500	0.29	10.39	3.81	0.15	33.30
FB9733LL12B	12	8~13.8	0.21	0.14	2.52	2000	0.40	14.24	8.62	0.34	43.00
FB9733L12B	12	8~13.8	0.36	0.29	4.32	2500	0.51	17.96	12.52	0.49	49.90
FB9733M12B	12	8~13.8	0.65	0.53	7.80	3000	0.66	23.19	22.62	0.89	53.80
FB9733H12B	12	8~13.8	1.05	0.90	12.60	3500	0.76	26.84	33.71	1.33	59.20
FB9733TL24B	24	18~27.6	0.08	0.07	1.92	1500	0.29	10.39	3.81	0.15	33.30
FB9733LL24B	24	12~27.6	0.13	0.11	3.12	2000	0.40	14.24	8.62	0.34	43.00
FB9733L24B	24	12~27.6	0.26	0.19	6.24	2500	0.51	17.96	12.52	0.49	49.90
FB9733M24B	24	12~27.6	0.40	0.35	9.60	3000	0.66	23.19	22.62	0.89	53.80
FB9733H24B	24	12~27.6	0.58	0.51	13.92	3500	0.76	26.84	33.71	1.33	59.20
FB9733TL48B	48	38~52.8	0.06	0.04	2.88	1500	0.29	10.39	3.81	0.15	33.30
FB9733LL48B	48	38~52.8	0.08	0.06	3.84	2000	0.40	14.24	8.62	0.34	43.00
FB9733L48B	48	38~52.8	0.12	0.11	5.76	2500	0.51	17.96	12.52	0.49	49.90
FB9733M48B	48	38~52.8	0.22	0.19	10.56	3000	0.66	23.19	22.62	0.89	53.80
FB9733H48B	48	38~52.8	0.35	0.30	16.80	3500	0.76	26.84	33.71	1.33	59.20

** Specifications are subject to change without notice.

WWW.COFAN-USA.COM



46177 Warm Springs Blvd, Fremont, CA 94539

TEL (800) 766-6097, (510) 490-7533 | FAX (510) 490-7931 | info@cofan-usa.com

DC BRUSHLESS FAN



52557



E195760



RoHS
compliant
2002/95/EC

120X120X25

BEARING TYPE

2-Ball Bearing
70K hours* at 40 °C
* Based on estimated MTBF

LEAD WIRES

12" wire
UL 1007, AWG #26/28

TEMPERATURE

Storage: -40 ~ +70 °C
Operating: -10 ~ +70 °C

WEIGHT

79.0 Grams (2.79 oz.)

OPTIONAL FEATURES

Tachometer
Temperature Sensor
PWM
Locked Rotor
IP55

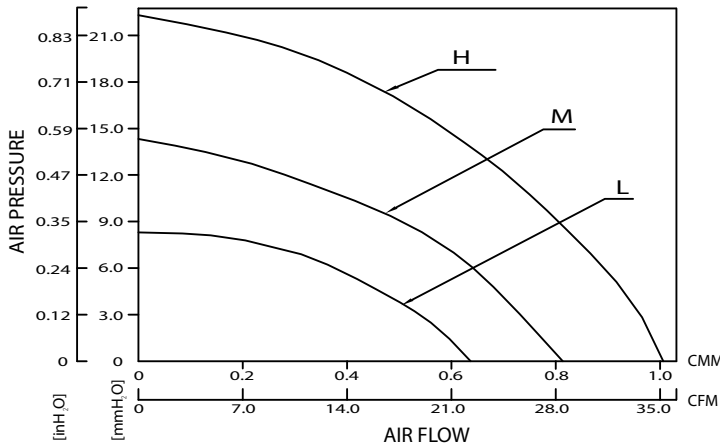
MATERIAL

Impeller: PBT85% + FIBER15% (UL 94V-0)
Frame: PBT70% + FIBER30% (UL 94V-0)

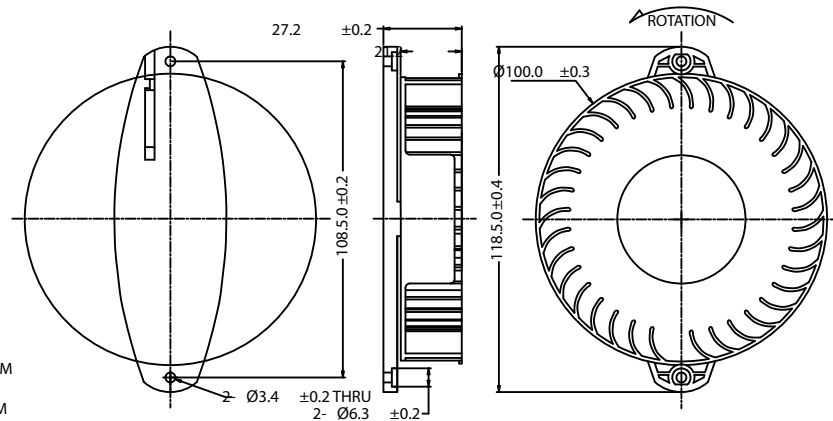


BLOWER FAN

AIR PRESSURE vs. AIR FLOW



DIMENSIONS DRAWING



Units [mm]

Model Number	Rated Voltage	Operating Voltage	Rated Current	Actual Current	Rated Power	Rated Speed	Maximum Air Flow		Maximum Static Air Pressure		Noise Level
	[V]	[V]	[A]	[A]	[W]	[RPM]	[CMM]	[CFM]	[mmH ₂ O]	[inH ₂ O]	[dBA]
FB1225L12B	12	9~13.8	0.18	0.13	2.16	1200	0.64	22.74	8.85	0.35	26.40
FB1225M12B	12	9~13.8	0.45	0.32	5.40	1600	0.81	28.51	14.25	0.56	34.80
FB1225H12B	12	9~13.8	0.90	0.52	10.80	2000	1.01	35.63	22.27	0.88	41.90
FB1225L24B	24	18~27.6	0.15	0.09	3.60	1200	0.64	22.74	8.85	0.35	26.40
FB1225M24B	24	12~27.6	0.25	0.20	6.00	1600	0.81	28.51	14.25	0.56	34.80
FB1225H24B	24	12~27.6	0.40	0.35	9.60	2000	1.01	35.63	22.27	0.88	41.90

** Specifications are subject to change without notice.

WWW.COFAN-USA.COM



46177 Warm Springs Blvd, Fremont, CA 94539

TEL (800) 766-6097, (510) 490-7533 | FAX (510) 490-7931 | info@cofan-usa.com

DC BRUSHLESS FAN



52557



E195760



RoHS
compliant
2002/95/EC

BLOWER FAN

120X120X32



BEARING TYPE

2-Ball Bearing
70K hours* at 40 °C
* Based on estimated MTBF

TEMPERATURE

Storage: -40 ~ +70 °C
Operating: -10 ~ +70 °C

MATERIAL

Impeller: PBT85% + FIBER15% (UL 94V-0)
Frame: PBT70% + FIBER30% (UL 94V-0)

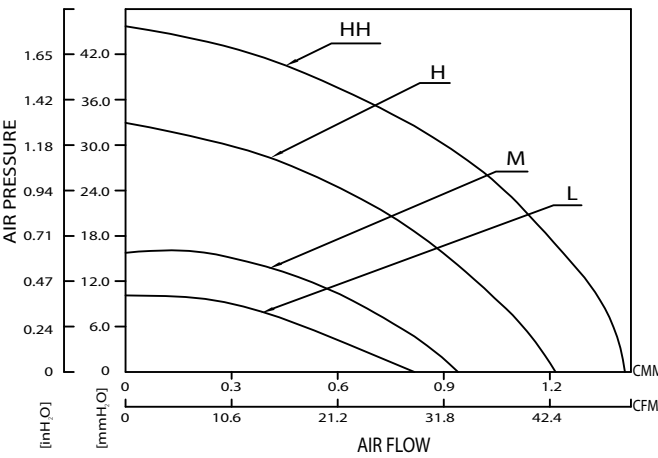
LEAD WIRES 12" wire
UL 1007, AWG #26/28

WEIGHT
307.0 Grams (10.83 oz.)

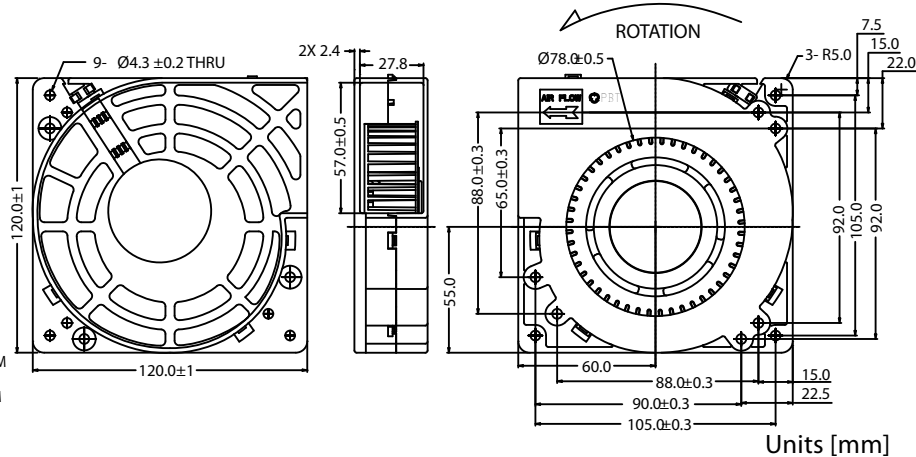
OPTIONAL FEATURES

Tachometer
Temperature Sensor
PWM
Locked Rotor
IP55

AIR PRESSURE vs. AIR FLOW



DIMENSIONS DRAWING



Model Number	Rated Voltage	Operating Voltage	Rated Current	Actual Current	Rated Power	Rated Speed	Maximum Air Flow		Maximum Static Air Pressure		Noise Level
	[V]	[V]	[A]	[A]	[W]	[RPM]	[CMM]	[CFM]	[mmH ₂ O]	[inH ₂ O]	[dBA]
FB1232L12B	12	8~13.8	0.36	0.34	4.32	2000	0.82	28.92	10.10	0.40	47.90
FB1232M12B	12	8~13.8	0.80	0.63	9.60	2500	0.94	33.30	16.10	0.63	52.30
FB1232H12B	12	8~13.8	1.35	1.01	16.20	3000	1.25	44.01	32.90	1.30	56.10
FB1232HH12B	12	8~13.8	1.90	1.60	22.80	3500	1.40	49.52	45.70	1.80	60.90
FB1232L24B	24	12~27.6	0.24	0.20	5.76	2000	0.82	28.92	10.10	0.40	47.90
FB1232M24B	24	12~27.6	0.34	0.30	8.16	2500	0.94	33.30	16.10	0.63	52.30
FB1232H24B	24	12~27.6	0.90	0.81	21.60	3000	1.25	44.01	32.90	1.30	56.10
FB1232HH24B	24	12~27.6	1.20	1.02	28.80	3500	1.40	49.52	45.70	1.80	60.90
FB1232L48B	48	24~52.8	0.15	0.13	7.20	2000	0.82	28.92	10.10	0.40	47.90
FB1232M48B	48	24~52.8	0.24	0.20	11.52	2500	0.94	33.30	16.10	0.63	52.30
FB1232H48B	48	24~52.8	0.75	0.69	36.00	3000	1.25	44.01	32.90	1.30	56.10

** Specifications are subject to change without notice.

WWW.COFAN-USA.COM



46177 Warm Springs Blvd, Fremont, CA 94539

TEL (800) 766-6097, (510) 490-7533 | FAX (510) 490-7931 | info@cofan-usa.com