

## Index

- 30x30x10 mm I
- 40x40x8 mm II
- 40x40x8 mm IV
- 45x45x10 mm II
- 50x50x10 mm IV
- 60x60x10 mm III
- 70x70x10 mm III
- 92x92x25 mm II



52557

**RoHS**  
compliant  
2002/95/EC



**UL**<sup>®</sup>  
C **UL** US  
E195760

# DC BRUSHLESS FAN



52557



E195760



**RoHS**  
compliant  
2002/95/EC

## 30X30X10 I

### BEARING TYPE

2-Ball Bearing  
70K hours\* at 40 °C  
\* Based on estimated MTBF

### LEAD WIRES

6" wire  
UL 1007, AWG #28/30

### WEIGHT

9 Grams (0.32 oz.)

### TEMPERATURE

Storage: -40 ~ +70 °C  
Operating: -10 ~ +70 °C

### OPTIONAL FEATURES

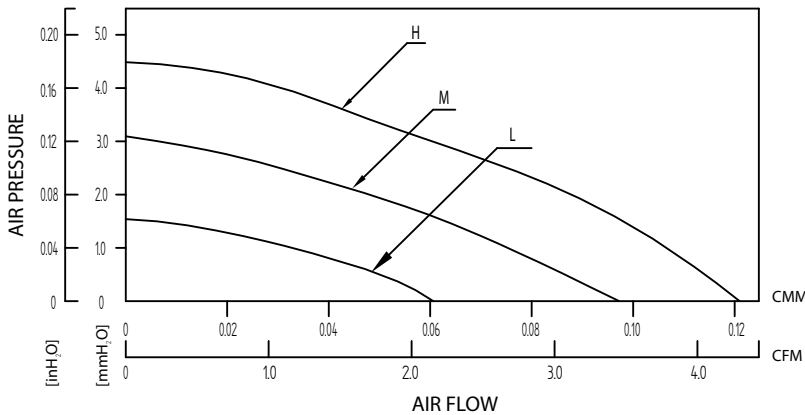
Tachometer  
Temperature Sensor  
PWM  
Locked Rotor  
IP55

### MATERIAL

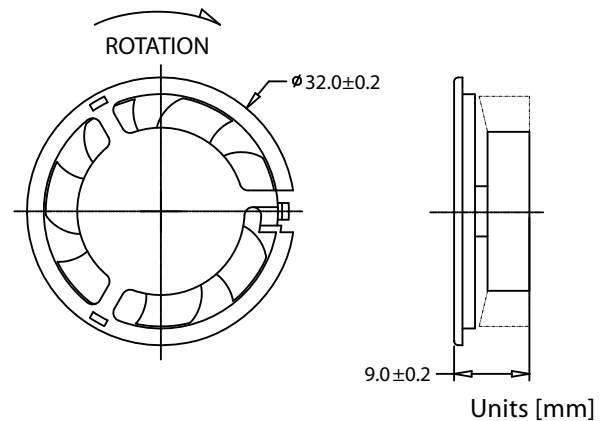
Impeller: PBT85% + FIBER15% (UL 94V-0)  
Frame: PBT85% + FIBER15% (UL 94V-0)



**AIR PRESSURE vs. AIR FLOW**



**DIMENSIONS DRAWING**



Model Number	Rated Voltage	Operating Voltage	Rated Current	Actual Current	Rated Power	Rated Speed	Maximum Air Flow		Maximum Static Air Pressure		Noise Level
	[V]	[V]	[A]	[A]	[W]	[RPM]	[CMM]	[CFM]	[mmH <sub>2</sub> O]	[inH <sub>2</sub> O]	[dBA]
F-3010L03B I	3.3	3~3.6	0.18	0.15	0.59	6000	0.06	2.18	1.61	0.06	20.50
F-3010M03B I	3.3	3~3.6	0.24	0.21	0.79	8500	0.10	3.47	3.05	0.12	26.10
F-3010H03B I	3.3	3~3.6	0.30	0.28	0.99	11000	0.12	4.36	4.41	0.17	30.80
F-3010L05B I	5	4.5~5.5	0.14	0.10	0.70	6000	0.06	2.18	1.61	0.06	20.50
F-3010M05B I	5	4.5~5.5	0.17	0.14	0.85	8500	0.10	3.47	3.05	0.12	26.10
F-3010H05B I	5	4.5~5.5	0.20	0.18	1.00	11000	0.12	4.36	4.41	0.17	30.80
F-3010L12B I	12	10.8~13.8	0.08	0.05	0.96	6000	0.06	2.18	1.61	0.06	20.50
F-3010M12B I	12	9~13.8	0.11	0.08	1.32	8500	0.10	3.47	3.05	0.12	26.10
F-3010H12B I	12	9~13.8	0.14	0.11	1.68	11000	0.12	4.36	4.41	0.17	30.80

\*\* Specifications are subject to change without notice.

WWW.COFAN-USA.COM



46177 Warm Springs Blvd, Fremont, CA 94539

TEL (800) 766-6097, (510) 490-7533 | FAX (510) 490-7931 | info@cofan-usa.com

# DC BRUSHLESS FAN



52557



E195760



**RoHS**  
compliant

2002/95/EC

## 40X40X08 II



### BEARING TYPE

2-Ball Bearing  
70K hours\* at 40 °C  
\* Based on estimated MTBF

### TEMPERATURE

Storage: -40 ~ +70 °C  
Operating: -10 ~ +70 °C

### MATERIAL

Impeller: PBT85% + FIBER15% (UL 94V-0)  
Frame: PBT85% + FIBER15% (UL 94V-0)

### LEAD WIRES

6" wire  
UL 1007, AWG #28/30

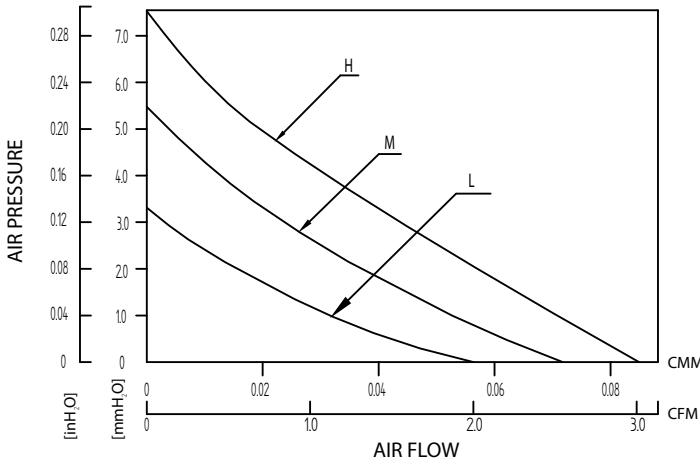
### WEIGHT

7 Grams (0.25 oz.)

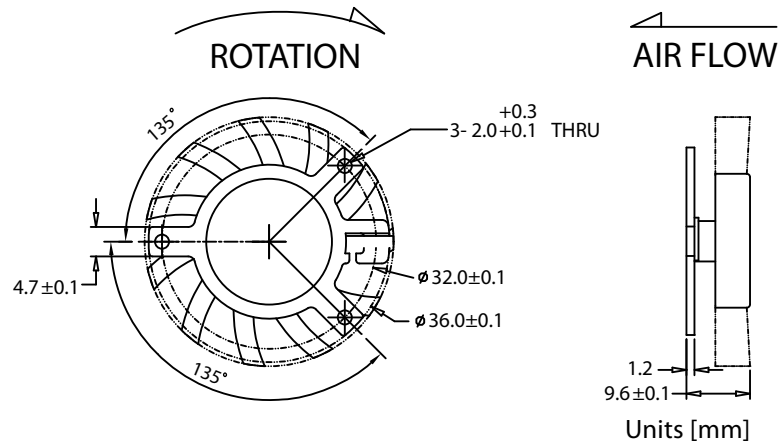
### OPTIONAL FEATURES

Tachometer  
Temperature Sensor  
PWM  
Locked Rotor  
IP55

**AIR PRESSURE vs. AIR FLOW**



**DIMENSIONS DRAWING**



Model Number	Rated Voltage	Operating Voltage	Rated Current	Actual Current	Rated Power	Rated Speed	Maximum Air Flow		Maximum Static Air Pressure		Noise Level
	[V]	[V]	[A]	[A]	[W]	[RPM]	[CMM]	[CFM]	[mmH <sub>2</sub> O]	[inH <sub>2</sub> O]	[dBA]
F-4008L12B II	12	10.8~13.8	0.10	0.08	1.20	4000	0.06	2.03	3.24	0.13	21.70
F-4008M12B II	12	9~13.8	0.14	0.11	1.68	5000	0.07	2.55	5.52	0.22	26.10
F-4008H12B II	12	9~13.8	0.18	0.17	2.16	6000	0.09	2.99	7.58	0.30	31.00

\*\* Specifications are subject to change without notice.

WWW.COFAN-USA.COM



46177 Warm Springs Blvd, Fremont, CA 94539

TEL (800) 766-6097, (510) 490-7533 | FAX (510) 490-7931 | info@cofan-usa.com

# DC BRUSHLESS FAN



52557



E195760



**RoHS**  
compliant

2002/95/EC

## 40X40X08 IV

### BEARING TYPE

2-Ball Bearing  
70K hours\* at 40 °C  
\* Based on estimated MTBF

### LEAD WIRES

6" wire  
UL 1007, AWG #28/30

### WEIGHT

7 Grams (0.25 oz.)

### TEMPERATURE

Storage: -40 ~ +70 °C  
Operating: -10 ~ +70 °C

### OPTIONAL FEATURES

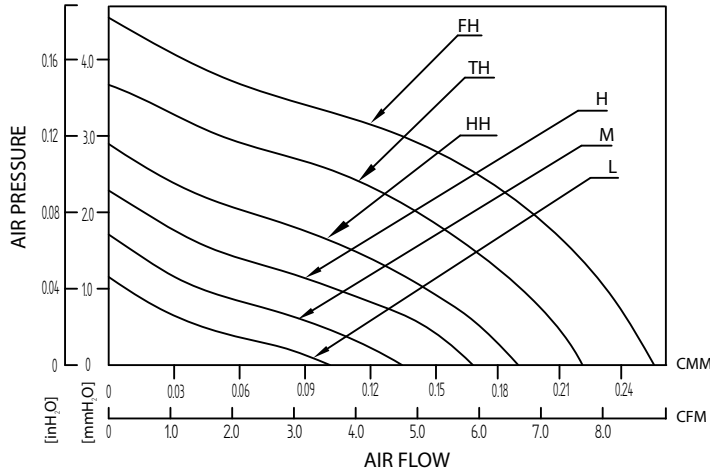
Tachometer  
Temperature Sensor  
PWM  
Locked Rotor  
IP55

### MATERIAL

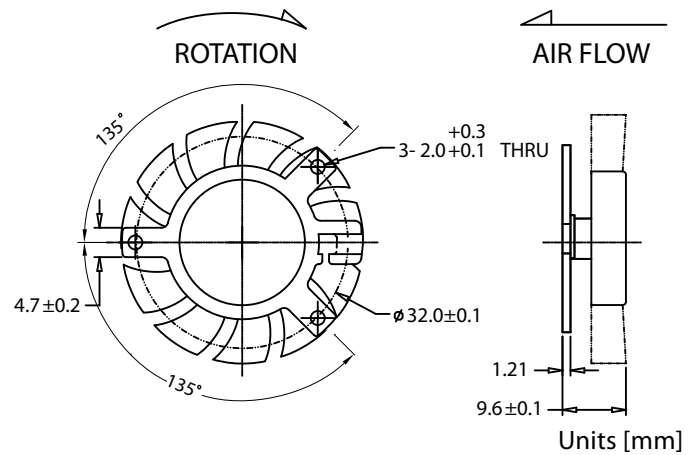
Impeller: PBT85% + FIBER15% (UL 94V-0)  
Frame: PBT85% + FIBER15% (UL 94V-0)



AIR PRESSURE vs. AIR FLOW



DIMENSIONS DRAWING



Model Number	Rated Voltage	Operating Voltage	Rated Current	Actual Current	Rated Power	Rated Speed	Maximum Air Flow		Maximum Static Air Pressure		Noise Level
	[V]	[V]	[A]	[A]	[W]	[RPM]	[CMM]	[CFM]	[mmH <sub>2</sub> O]	[inH <sub>2</sub> O]	[dBA]
F-4008L05B IV	5	4.5~5.5	0.20	0.08	1.00	4000	0.11	3.73	1.10	0.04	19.60
F-4008M05B IV	5	4.5~5.5	0.24	0.17	1.20	5000	0.13	4.68	1.68	0.07	23.10
F-4008H05B IV	5	4.5~5.5	0.28	0.20	1.40	6000	0.17	5.92	2.26	0.09	26.60
F-4008L12B IV	12	10.8~13.8	0.10	0.06	1.20	4000	0.11	3.73	1.10	0.04	19.60
F-4008M12B IV	12	9~13.8	0.14	0.07	1.68	5000	0.13	4.68	1.68	0.07	23.10
F-4008H12B IV	12	9~13.8	0.18	0.08	2.16	6000	0.17	5.92	2.26	0.09	26.60
F-4008HH12B IV	12	9~13.8	0.12	0.09	1.44	7000	0.19	6.75	2.94	0.12	30.40
F-4008TH12B IV	12	9~13.8	0.14	0.10	1.68	8000	0.23	8.05	3.71	0.15	33.00
F-4008FH12B IV	12	9~13.8	0.24	0.20	2.88	9000	0.25	8.91	4.64	0.18	35.50

\*\* Specifications are subject to change without notice.

WWW.COFAN-USA.COM



46177 Warm Springs Blvd, Fremont, CA 94539

TEL (800) 766-6097, (510) 490-7533 | FAX (510) 490-7931 | info@cofan-usa.com

FRAMELESS FAN

# DC BRUSHLESS FAN



52557



E195760



**RoHS**  
compliant  
2002/95/EC

## 45X45X10 II



FRAMELESS FAN

### BEARING TYPE

2-Ball Bearing  
70K hours\* at 40 °C  
\* Based on estimated MTBF

### TEMPERATURE

Storage: -40 ~ +70 °C  
Operating: -10 ~ +70 °C

### MATERIAL

Impeller: PBT85% + FIBER15% (UL 94V-0)  
Frame: PBT85% + FIBER15% (UL 94V-0)

### LEAD WIRES

12" wire  
UL 1007, AWG #26/28

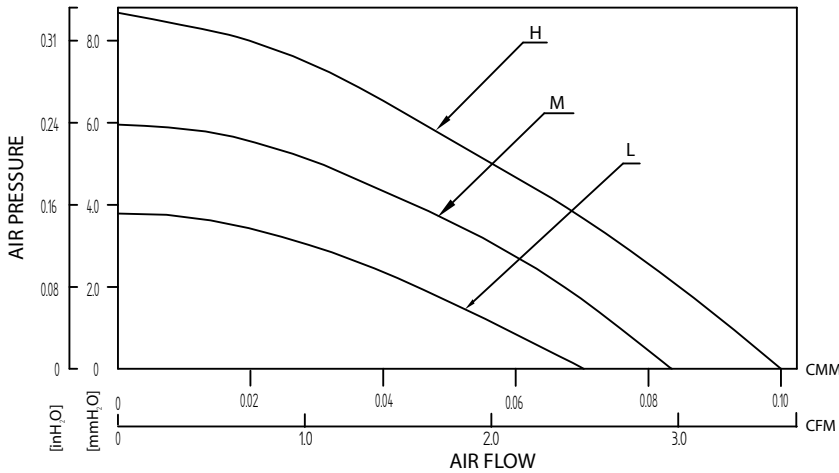
### WEIGHT

19 Grams (0.67 oz.)

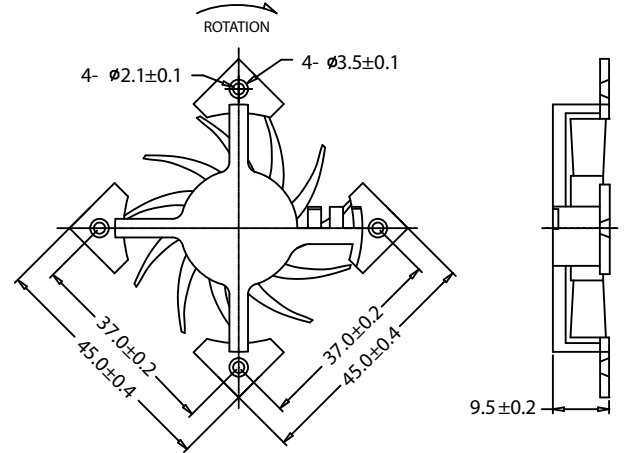
### OPTIONAL FEATURES

Tachometer  
Temperature Sensor  
PWM  
Locked Rotor  
IP55

**AIR PRESSURE vs. AIR FLOW**



**DIMENSIONS DRAWING**



Units [mm]

Model Number	Rated Voltage	Operating Voltage	Rated Current	Actual Current	Rated Power	Rated Speed	Maximum Air Flow		Maximum Static Air Pressure		Noise Level
	[V]	[V]	[A]	[A]	[W]	[RPM]	[CMM]	[CFM]	[mmH <sub>2</sub> O]	[inH <sub>2</sub> O]	[dBA]
F-4510L12B II	12	10.8~13.8	0.10	0.07	1.20	3400	0.07	2.46	3.87	0.15	21.80
F-4510M12B II	12	9~13.8	0.15	0.11	1.80	4200	0.09	2.99	5.99	0.24	25.70
F-4510H12B II	12	9~13.8	0.23	0.18	2.76	5000	0.10	3.55	8.67	0.34	29.50

\*\* Specifications are subject to change without notice.

WWW.COFAN-USA.COM



46177 Warm Springs Blvd, Fremont, CA 94539

TEL (800) 766-6097, (510) 490-7533 | FAX (510) 490-7931 | info@cofan-usa.com

# DC BRUSHLESS FAN



52557



E195760



**RoHS**  
compliant  
2002/95/EC

## 50X50X10 IV



FRAMELESS FAN

### BEARING TYPE

2-Ball Bearing  
70K hours\* at 40 °C  
\* Based on estimated MTBF

### TEMPERATURE

Storage: -40 ~ +70 °C  
Operating: -10 ~ +70 °C

### MATERIAL

Impeller: PBT85% + FIBER15% (UL 94V-0)  
Frame: PBT85% + FIBER15% (UL 94V-0)

### LEAD WIRES

12" wire  
UL 1007, AWG #26/28

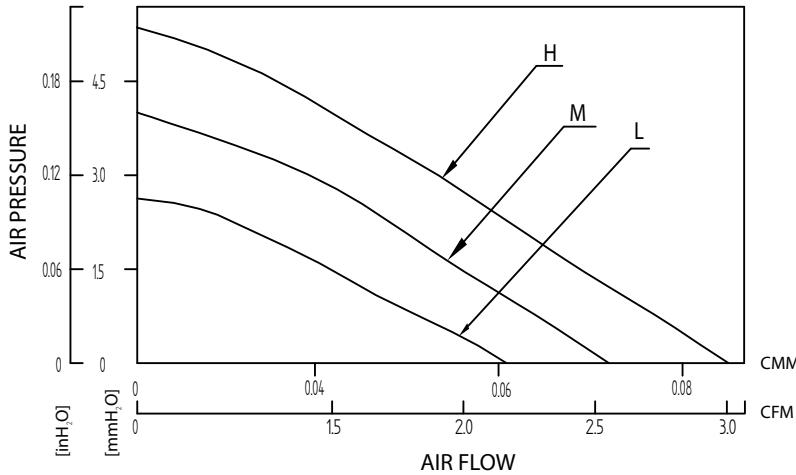
### WEIGHT

9 Grams (0.32 oz.)

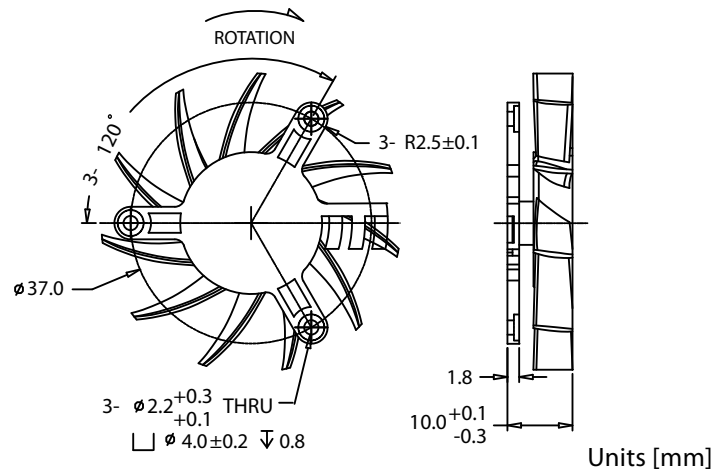
### OPTIONAL FEATURES

Tachometer  
Temperature Sensor  
PWM  
Locked Rotor  
IP55

**AIR PRESSURE vs. AIR FLOW**



**DIMENSIONS DRAWING**



Model Number	Rated Voltage	Operating Voltage	Rated Current	Actual Current	Rated Power	Rated Speed	Maximum Air Flow		Maximum Static Air Pressure		Noise Level
	[V]	[V]	[A]	[A]	[W]	[RPM]	[CMM]	[CFM]	[mmH <sub>2</sub> O]	[inH <sub>2</sub> O]	[dBA]
F-5010L12B IV	12	9~13.8	0.08	0.05	0.96	2500	0.06	2.16	2.61	0.10	19.46
F-5010M12B IV	12	9~13.8	0.11	0.06	1.32	3000	0.07	2.56	3.93	0.16	21.52
F-5010H12B IV	12	6~13.8	0.14	0.11	1.68	3500	0.09	2.99	5.35	0.21	23.75

\*\* Specifications are subject to change without notice.

WWW.COFAN-USA.COM



46177 Warm Springs Blvd, Fremont, CA 94539

TEL (800) 766-6097, (510) 490-7533 | FAX (510) 490-7931 | info@cofan-usa.com

# DC BRUSHLESS FAN



52557



E195760



**RoHS**  
compliant  
2002/95/EC

## 60X60X10 III



### BEARING TYPE

2-Ball Bearing  
70K hours\* at 40 °C  
\* Based on estimated MTBF

### TEMPERATURE

Storage: -40 ~ +70 °C  
Operating: -10 ~ +70 °C

### MATERIAL

Impeller: PBT85% + FIBER15% (UL 94V-0)  
Frame: PBT85% + FIBER15% (UL 94V-0)

**LEAD WIRES** 12" wire  
UL 1007, AWG #26/28

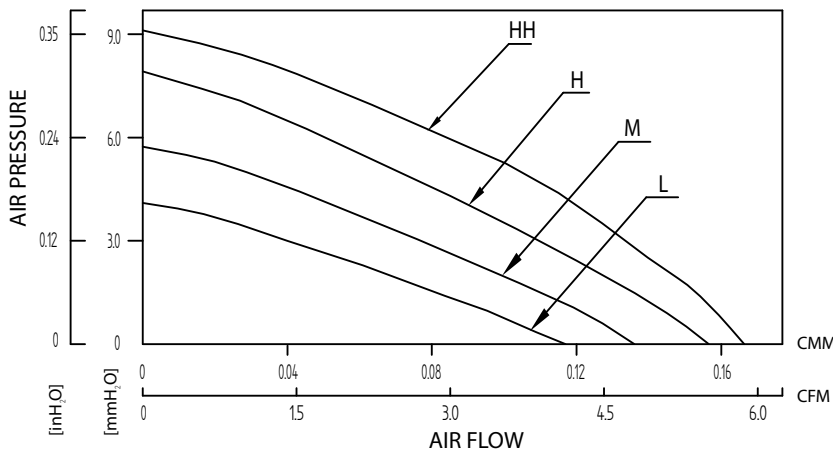
### WEIGHT

13 Grams (0.46 oz.)

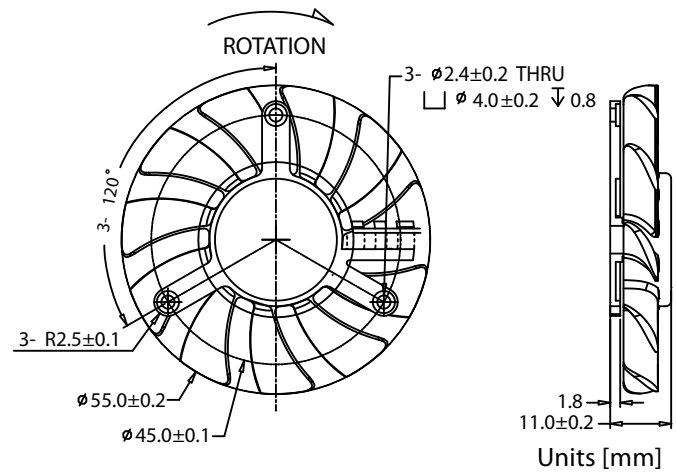
### OPTIONAL FEATURES

Tachometer  
Temperature Sensor  
PWM  
Locked Rotor  
IP55

**AIR PRESSURE vs. AIR FLOW**



**DIMENSIONS DRAWING**



Model Number	Rated Voltage	Operating Voltage	Rated Current	Actual Current	Rated Power	Rated Speed	Maximum Air Flow		Maximum Static Air Pressure		Noise Level
	[V]	[V]	[A]	[A]	[W]	[RPM]	[CMM]	[CFM]	[mmH <sub>2</sub> O]	[inH <sub>2</sub> O]	[dBA]
F-6010L05B III	5	4.5~5.5	0.18	0.13	0.90	3000	0.12	4.12	4.09	0.16	28.20
F-6010M05B III	5	4~5.5	0.28	0.22	1.40	3600	0.14	4.79	5.73	0.23	32.90
F-6010H05B III	5	4~5.5	0.60	0.50	3.00	4200	0.16	5.57	7.92	0.31	37.40
F-6010HH05B III	5	4~5.5	0.85	0.73	4.25	4800	0.17	6.14	10.36	0.41	40.70
F-6010L12B III	12	9~13.8	0.15	0.06	1.80	3000	0.12	4.12	4.09	0.16	28.20
F-6010M12B III	12	6~13.8	0.20	0.10	2.40	3600	0.14	4.79	5.73	0.23	32.90
F-6010H12B III	12	6~13.8	0.25	0.15	3.00	4200	0.16	5.57	7.92	0.31	37.40
F-6010HH12B III	12	6~13.8	0.30	0.29	3.60	4800	0.17	6.14	10.36	0.41	40.70

\*\* Specifications are subject to change without notice.

WWW.COFAN-USA.COM



46177 Warm Springs Blvd, Fremont, CA 94539

TEL (800) 766-6097, (510) 490-7533 | FAX (510) 490-7931 | info@cofan-usa.com

# DC BRUSHLESS FAN



52557



E195760



**RoHS**  
compliant  
2002/95/EC

## 70X70X10 III



### BEARING TYPE

2-Ball Bearing  
70K hours\* at 40 °C  
\* Based on estimated MTBF

### TEMPERATURE

Storage: -40 ~ +70 °C  
Operating: -10 ~ +70 °C

### MATERIAL

Impeller: PBT85% + FIBER15% (UL 94V-0)  
Frame: PBT70% + FIBER30% (UL 94V-0)

### LEAD WIRES

12" wire  
UL 1007, AWG #26/28

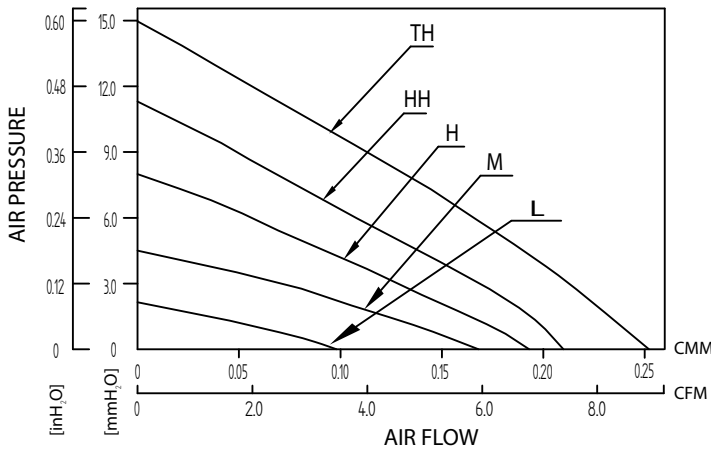
### WEIGHT

16 Grams (0.56 oz.)

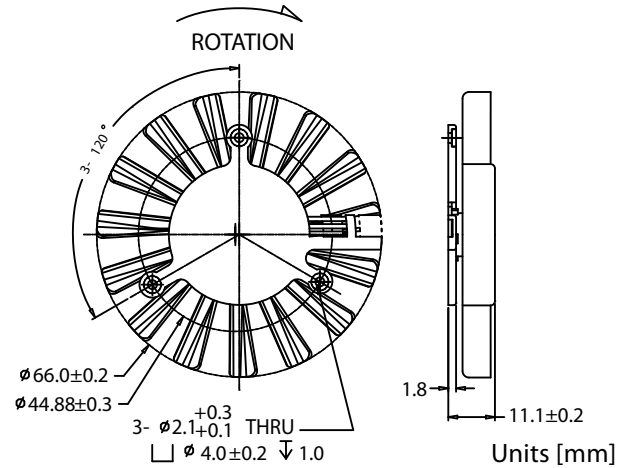
### OPTIONAL FEATURES

Tachometer  
Temperature Sensor  
PWM  
Locked Rotor  
IP55

AIR PRESSURE vs. AIR FLOW



DIMENSIONS DRAWING



Model Number	Rated Voltage	Operating Voltage	Rated Current	Actual Current	Rated Power	Rated Speed	Maximum Air Flow		Maximum Static Air Pressure		Noise Level
	[V]	[V]	[A]	[A]	[W]	[RPM]	[CMM]	[CFM]	[mmH <sub>2</sub> O]	[inH <sub>2</sub> O]	[dBA]
F-7010L12B III	12	9~13.8	0.20	0.04	2.40	1500	0.10	3.45	2.14	0.08	23.10
F-7010M12B III	12	6~13.8	0.25	0.10	3.00	2000	0.17	5.95	4.45	0.18	24.00
F-7010H12B III	12	6~13.8	0.30	0.14	3.60	2500	0.19	6.82	8.00	0.32	28.80
F-7010HH12B III	12	6~13.8	0.39	0.15	4.68	3000	0.21	7.32	11.30	0.45	32.60
F-7010TH12B III	12	6~13.8	0.44	0.25	5.28	3500	0.25	8.88	14.96	0.59	36.70

\*\* Specifications are subject to change without notice.

WWW.COFAN-USA.COM



46177 Warm Springs Blvd, Fremont, CA 94539

TEL (800) 766-6097, (510) 490-7533 | FAX (510) 490-7931 | info@cofan-usa.com

FRAMELESS FAN

# DC BRUSHLESS FAN



52557



E195760



## 92X92X25 II

### BEARING TYPE

2-Ball Bearing  
70K hours\* at 40 °C  
\* Based on estimated MTBF

### LEAD WIRES

12" wire  
UL 1007, AWG #26/28

### WEIGHT

60 Grams (2.12 oz.)

### TEMPERATURE

Storage: -40 ~ +70 °C  
Operating: -10 ~ +70 °C

### OPTIONAL FEATURES

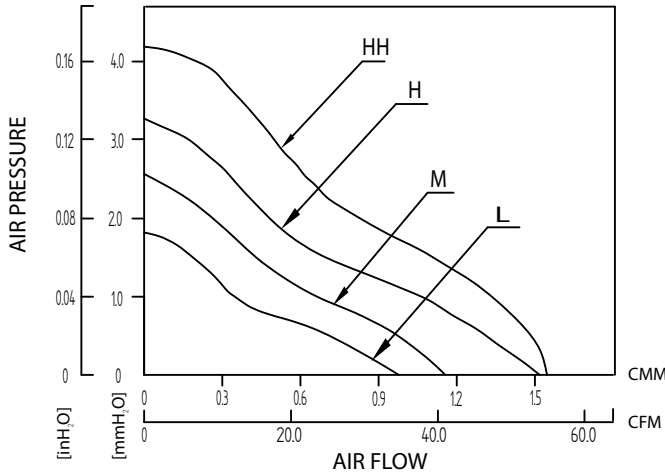
Tachometer  
Temperature Sensor  
PWM  
Locked Rotor  
IP55

### MATERIAL

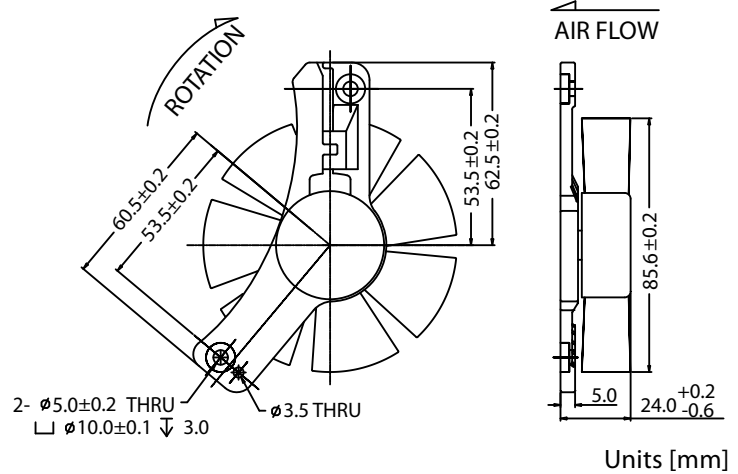
Impeller: PBT85% + FIBER15% (UL 94V-0)  
Frame: PBT70% + FIBER30% (UL 94V-0)



AIR PRESSURE vs. AIR FLOW



DIMENSIONS DRAWING



Units [mm]

Model Number	Rated Voltage	Operating Voltage	Rated Current	Actual Current	Rated Power	Rated Speed	Maximum Air Flow		Maximum Static Air Pressure		Noise Level
	[V]	[V]	[A]	[A]	[W]	[RPM]	[CMM]	[CFM]	[mmH <sub>2</sub> O]	[inH <sub>2</sub> O]	[dBA]
F-9225L12B II	12	8~13.8	0.24	0.08	2.88	2000	0.96	34.04	1.89	0.07	22.70
F-9225M12B II	12	8~13.8	0.28	0.13	3.36	2400	1.18	41.51	2.57	0.10	26.10
F-9225H12B II	12	8~13.8	0.32	0.23	3.84	2800	1.48	52.22	3.28	0.13	31.00
F-9225HH12B II	12	8~13.8	0.45	0.30	5.40	3200	1.56	55.17	4.32	0.17	34.20
F-9225L24B II	24	12~27.6	0.10	0.09	2.40	2000	0.96	34.04	1.89	0.07	22.70
F-9225M24B II	24	12~27.6	0.14	0.11	3.36	2400	1.18	41.51	2.57	0.10	26.10
F-9225H24B II	24	12~27.6	0.18	0.16	4.32	2800	1.48	52.22	3.28	0.13	31.00
F-9225HH24B II	24	12~27.6	0.30	0.18	7.20	3200	1.56	55.17	4.32	0.17	34.20

\*\* Specifications are subject to change without notice.

WWW.COFAN-USA.COM



46177 Warm Springs Blvd, Fremont, CA 94539

TEL (800) 766-6097, (510) 490-7533 | FAX (510) 490-7931 | info@cofan-usa.com

FRAMELESS FAN