

DC BRUSHLESS FAN



52557

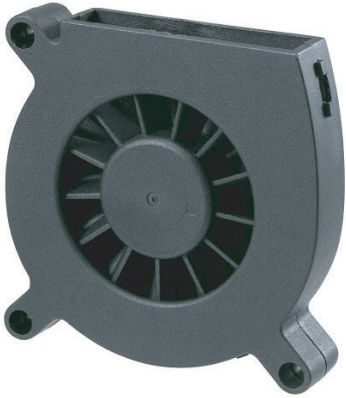


E195760



RoHS
compliant
2002/95/EC

60X60X10 I



BLOWER FAN

BEARING TYPE

2-Ball Bearing
70K hours* at 40 °C
* Based on estimated MTBF

TEMPERATURE

Storage: -40 ~ +70 °C
Operating: -10 ~ +70 °C

MATERIAL

Impeller: PBT85% + FIBER15% (UL 94V-0)
Frame: PBT85% + FIBER15% (UL 94V-0)

LEAD WIRES

12" wire
UL 1007, AWG #26/28

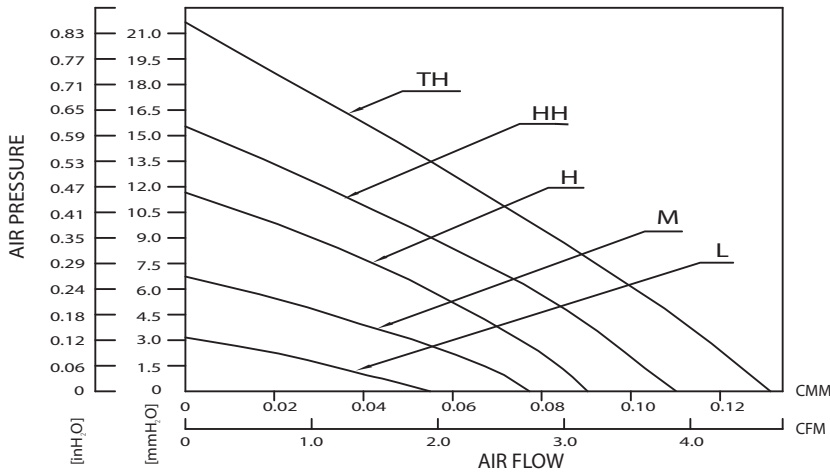
WEIGHT

20 Grams (0.71 oz.)

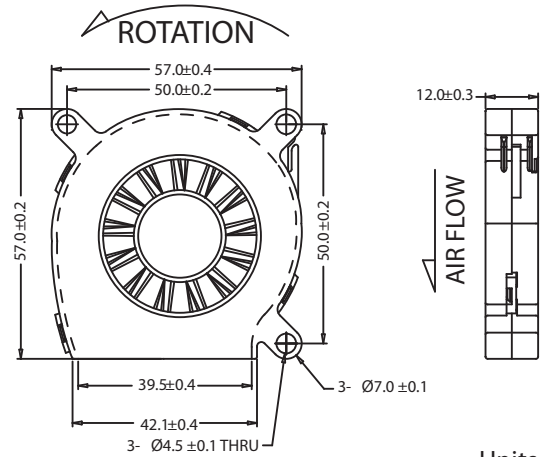
OPTIONAL FEATURES

Tachometer
Temperature Sensor
PWM
Locked Rotor
IP55

AIR PRESSURE vs. AIR FLOW



DIMENSIONS DRAWING



Units [mm]

Model Number	Rated Voltage	Operating Voltage	Rated Current	Actual Current	Rated Power	Rated Speed	Maximum Air Flow		Maximum Static Air Pressure		Noise Level
	[V]	[V]	[A]	[A]	[W]	[RPM]	[CMM]	[CFM]	[mmH ₂ O]	[inH ₂ O]	[dBA]
FB6010L05B I	5	4.5~5.5	0.08	0.06	0.40	2500	0.06	1.95	3.06	0.12	21.70
FB6010M05B I	5	4~5.5	0.15	0.10	0.75	3500	0.08	2.73	6.75	0.27	27.20
FB6010H05B I	5	4~5.5	0.25	0.24	1.25	4500	0.09	3.19	11.78	0.46	30.80
FB6010L12B I	12	10.8~13.8	0.05	0.06	0.60	2500	0.06	1.95	3.06	0.12	21.70
FB6010M12B I	12	9~13.8	0.08	0.07	0.96	3500	0.08	2.73	6.75	0.27	27.20
FB6010H12B I	12	6~13.8	0.12	0.11	1.44	4500	0.09	3.19	11.78	0.46	30.80
FB6010HH12B I	12	6~13.8	0.22	0.17	2.64	5500	0.11	3.89	15.40	0.61	36.60
FB6010TH12B I	12	6~13.8	0.35	0.22	4.20	6500	0.13	4.64	21.93	0.86	44.20

** Specifications are subject to change without notice.

WWW.COFAN-USA.COM



46177 Warm Springs Blvd, Fremont, CA 94539

TEL (800) 766-6097, (510) 490-7533 | FAX (510) 490-7931 | info@cofan-usa.com