

# DC BRUSHLESS FAN



52557



E195760



**RoHS**  
compliant  
2002/95/EC

## 60X60X10 II



BLOWER FAN

### BEARING TYPE

2-Ball Bearing  
70K hours\* at 40 °C  
\* Based on estimated MTBF

### TEMPERATURE

Storage: -40 ~ +70 °C  
Operating: -10 ~ +70 °C

### MATERIAL

Impeller: PBT85% + FIBER15% (UL 94V-0)  
Frame: PBT85% + FIBER15% (UL 94V-0)

### LEAD WIRES

12" wire  
UL 1007, AWG #26/28

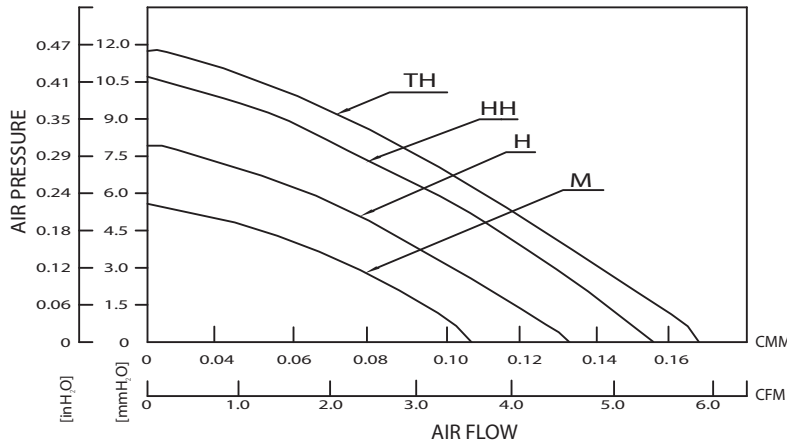
### WEIGHT

23.4 Grams (0.83 oz.)

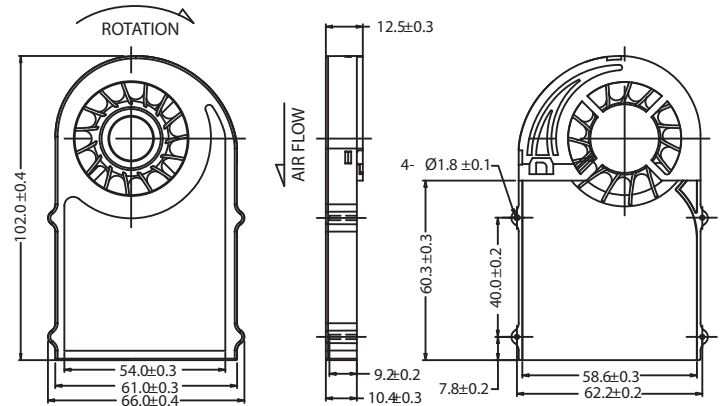
### OPTIONAL FEATURES

Tachometer  
Temperature Sensor  
PWM  
Locked Rotor  
IP55

**AIR PRESSURE vs. AIR FLOW**



**DIMENSIONS DRAWING**



Units [mm]

Model Number	Rated Voltage	Operating Voltage	Rated Current	Actual Current	Rated Power	Rated Speed	Maximum Air Flow		Maximum Static Air Pressure		Noise Level
	[V]	[V]	[A]	[A]	[W]	[RPM]	[CMM]	[CFM]	[mmH <sub>2</sub> O]	[inH <sub>2</sub> O]	[dBA]
FB6010M12B II	12	7~13.8	0.08	0.06	0.96	3000	0.11	3.73	5.66	0.22	23.50
FB6010H12B II	12	7~13.8	0.12	0.08	1.44	3500	0.13	4.61	7.86	0.31	27.60
FB6010HH12B II	12	7~13.8	0.22	0.16	2.64	4000	0.15	5.39	10.54	0.42	30.60
FB6010TH12B II	12	7~13.8	0.35	0.21	4.20	4500	0.15	5.22	11.66	0.46	33.60

\*\* Specifications are subject to change without notice.

WWW.COFAN-USA.COM



46177 Warm Springs Blvd, Fremont, CA 94539

TEL (800) 766-6097, (510) 490-7533 | FAX (510) 490-7931 | info@cofan-usa.com