

# DC BRUSHLESS FAN



52557



E195760



**RoHS**  
compliant  
2002/95/EC

## 60X60X15 I

### BEARING TYPE

2-Ball Bearing  
70K hours\* at 40 °C  
\* Based on estimated MTBF

### LEAD WIRES

12" wire  
UL 1007, AWG #26/28

### WEIGHT

41.0 Grams (1.45 oz.)

### TEMPERATURE

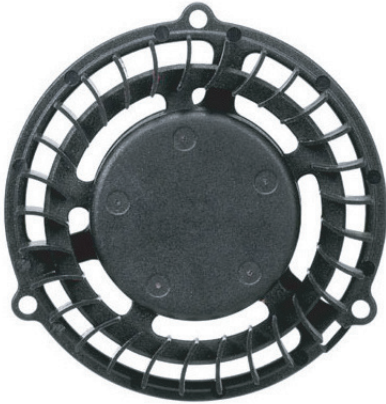
Storage: -40 ~ +70 °C  
Operating: -10 ~ +70 °C

### OPTIONAL FEATURES

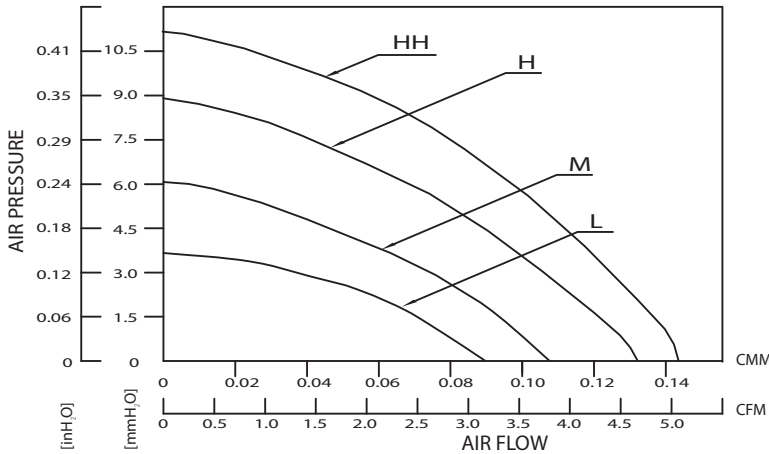
Tachometer  
Temperature Sensor  
PWM  
Locked Rotor  
IP55

### MATERIAL

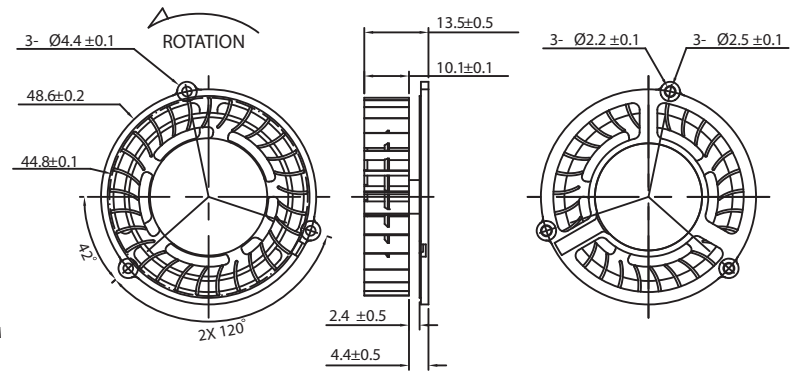
Impeller: PBT85% + FIBER15% (UL 94V-0)  
Frame: PBT70% + FIBER30% (UL 94V-0)



**AIR PRESSURE vs. AIR FLOW**



**DIMENSIONS DRAWING**



Units [mm]

Model Number	Rated Voltage	Operating Voltage	Rated Current	Actual Current	Rated Power	Rated Speed	Maximum Air Flow		Maximum Static Air Pressure		Noise Level
	[V]	[V]	[A]	[A]	[W]	[RPM]	[CMM]	[CFM]	[mmH <sub>2</sub> O]	[inH <sub>2</sub> O]	[dBA]
FB6015L12B I	12	6~13.8	0.08	0.08	0.96	2500	0.09	3.17	3.82	0.15	22.00
FB6015M12B I	12	6~13.8	0.15	0.13	1.80	3000	0.11	3.80	6.02	0.24	23.68
FB6015H12B I	12	6~13.8	0.22	0.15	2.64	3500	0.13	4.67	8.98	0.35	25.00
FB6015HH12B I	12	6~13.8	0.35	0.20	4.20	3800	0.14	5.07	11.12	0.44	26.50

\*\* Specifications are subject to change without notice.

WWW.COFAN-USA.COM



46177 Warm Springs Blvd, Fremont, CA 94539

TEL (800) 766-6097, (510) 490-7533 | FAX (510) 490-7931 | info@cofan-usa.com