

DC BRUSHLESS FAN



52557



E195760



RoHS
compliant
2002/95/EC

60X60X15 II



BLOWER FAN

BEARING TYPE

2-Ball Bearing
70K hours* at 40 °C
* Based on estimated MTBF

TEMPERATURE

Storage: -40 ~ +70 °C
Operating: -10 ~ +70 °C

MATERIAL

Impeller: PBT85% + FIBER15% (UL 94V-0)
Frame: PBT70% + FIBER30% (UL 94V-0)

LEAD WIRES

12" wire
UL 1007, AWG #26/28

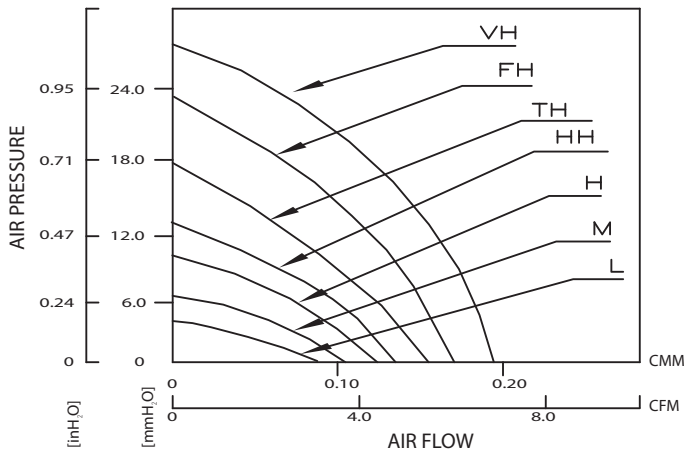
WEIGHT

36.0 Grams (1.27 oz.)

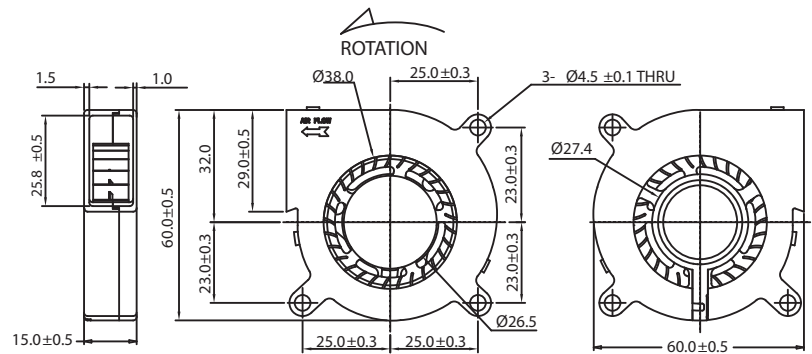
OPTIONAL FEATURES

Tachometer
Temperature Sensor
PWM
Locked Rotor
IP55

AIR PRESSURE vs. AIR FLOW



DIMENSIONS DRAWING



Units [mm]

Model Number	Rated Voltage	Operating Voltage	Rated Current	Actual Current	Rated Power	Rated Speed	Maximum Air Flow		Maximum Static Air Pressure		Noise Level
	[V]	[V]	[A]	[A]	[W]	[RPM]	[CMM]	[CFM]	[mmH ₂ O]	[inH ₂ O]	[dBA]
FB6015L12B II	12	9~13.8	0.08	0.05	0.96	2500	0.09	3.09	4.43	0.17	22.70
FB6015M12B II	12	6~13.8	0.15	0.08	1.80	3000	0.10	3.69	6.72	0.27	25.60
FB6015H12B II	12	6~13.8	0.22	0.10	2.64	3500	0.12	4.38	9.76	0.38	29.90
FB6015HH12B II	12	6~13.8	0.35	0.12	4.20	4000	0.14	4.77	13.60	0.54	33.30
FB6015TH12B II	12	6~13.8	0.40	0.18	4.80	4500	0.16	5.47	17.90	0.71	36.90
FB6015FH12B II	12	6~13.8	0.45	0.27	5.40	5000	0.17	6.02	23.30	0.92	40.10
FB6015VH12B II	12	6~13.8	0.50	0.23	6.00	5500	0.19	6.83	27.00	1.06	41.90

** Specifications are subject to change without notice.

WWW.COFAN-USA.COM



46177 Warm Springs Blvd, Fremont, CA 94539

TEL (800) 766-6097, (510) 490-7533 | FAX (510) 490-7931 | info@cofan-usa.com