

DC BRUSHLESS FAN



52557



E195760



RoHS
compliant
2002/95/EC

75X75X30



BLOWER FAN

BEARING TYPE

2-Ball Bearing
70K hours* at 40 °C
* Based on estimated MTBF

TEMPERATURE

Storage: -40 ~ +70 °C
Operating: -10 ~ +70 °C

MATERIAL

Impeller: PBT85% + FIBER15% (UL 94V-0)
Frame: PBT70% + FIBER30% (UL 94V-0)

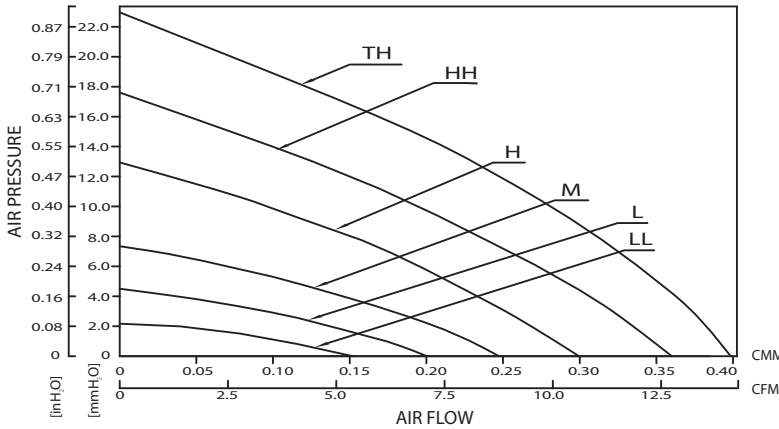
LEAD WIRES 12" wire
UL 1007, AWG #26/28

WEIGHT
61.0 Grams (2.15 oz.)

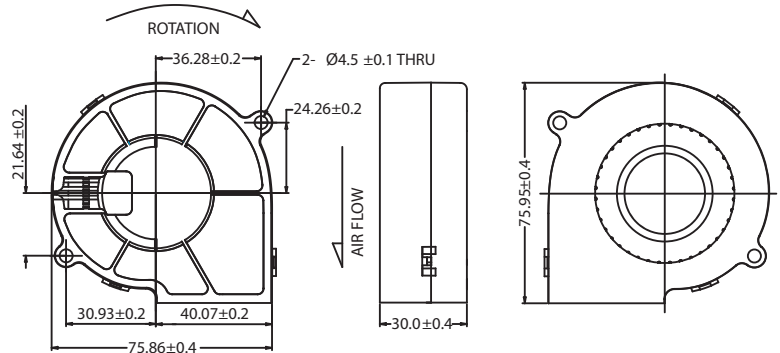
OPTIONAL FEATURES

Tachometer
Temperature Sensor
PWM
Locked Rotor
IP55

AIR PRESSURE vs. AIR FLOW



DIMENSIONS DRAWING



Units [mm]

Model Number	Rated Voltage	Operating Voltage	Rated Current	Actual Current	Rated Power	Rated Speed	Maximum Air Flow		Maximum Static Air Pressure		Noise Level
	[V]	[V]	[A]	[A]	[W]	[RPM]	[CMM]	[CFM]	[mmH ₂ O]	[inH ₂ O]	[dBA]
FB7530LL12B	12	6~13.8	0.08	0.08	0.96	1500	0.15	5.37	2.17	0.09	23.40
FB7530L12B	12	6~13.8	0.12	0.11	1.44	2000	0.20	7.08	4.50	0.18	27.80
FB7530M12B	12	6~13.8	0.20	0.15	2.40	2500	0.25	8.74	7.34	0.29	33.10
FB7530H12B	12	6~13.8	0.30	0.23	3.60	3000	0.30	10.58	12.94	0.51	38.10
FB7530HH12B	12	6~13.8	0.38	0.36	4.56	3500	0.36	12.72	17.61	0.69	42.40
FB7530TH12B	12	6~13.8	0.60	0.51	7.20	4000	0.40	14.07	22.97	0.90	46.60
FB7530LL24B	24	12~27.6	0.09	0.07	2.16	1500	0.15	5.37	2.17	0.09	23.40
FB7530L24B	24	12~27.6	0.11	0.09	2.64	2000	0.20	7.08	4.50	0.18	27.80
FB7530M24B	24	12~27.6	0.13	0.10	3.12	2500	0.25	8.74	7.34	0.29	33.10
FB7530H24B	24	12~27.6	0.17	0.14	4.08	3000	0.30	10.58	12.94	0.51	38.10
FB7530HH24B	24	12~27.6	0.27	0.23	6.48	3500	0.36	12.72	17.61	0.69	42.40
FB7530TH24B	24	12~27.6	0.34	0.30	8.16	4000	0.40	14.07	22.97	0.90	46.60
FB7530M48B	48	24~52.8	0.10	0.08	4.80	2500	0.25	8.74	7.34	0.29	33.10
FB7530H48B	48	24~52.8	0.14	0.11	6.72	3000	0.30	10.58	12.94	0.51	38.10
FB7530HH48B	48	24~52.8	0.18	0.15	8.64	3500	0.36	12.72	17.61	0.69	42.40
FB7530TH48B	48	24~52.8	0.26	0.22	12.48	4000	0.40	14.07	22.97	0.90	46.60

** Specifications are subject to change without notice.

WWW.COFAN-USA.COM



46177 Warm Springs Blvd, Fremont, CA 94539

TEL (800) 766-6097, (510) 490-7533 | FAX (510) 490-7931 | info@cofan-usa.com