

# DC BRUSHLESS FAN



52557



E195760



**RoHS**  
compliant  
2002/95/EC

## 92X92X25 IV



BLOWER FAN

### BEARING TYPE

2-Ball Bearing  
70K hours\* at 40 °C  
\* Based on estimated MTBF

### TEMPERATURE

Storage: -40 ~ +70 °C  
Operating: -10 ~ +70 °C

### MATERIAL

Impeller: PBT85% + FIBER15% (UL 94V-0)  
Frame: PBT70% + FIBER30% (UL 94V-0)

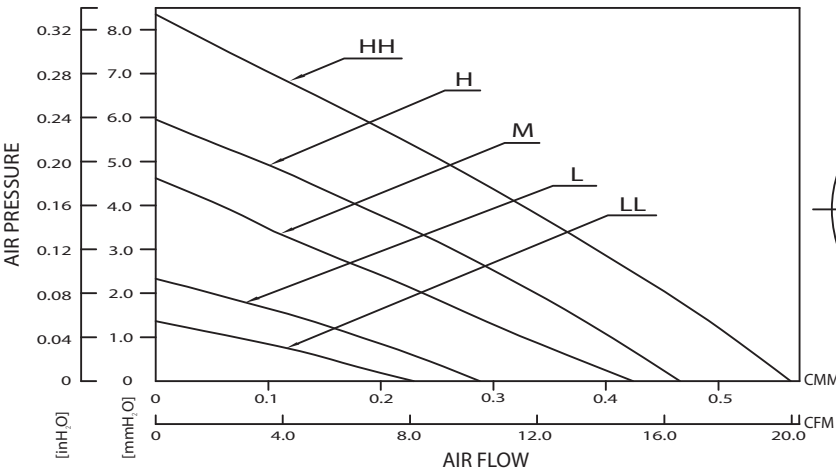
**LEAD WIRES** 12" wire  
UL 1007, AWG #26/28

**WEIGHT**  
54.0 Grams (1.90 oz.)

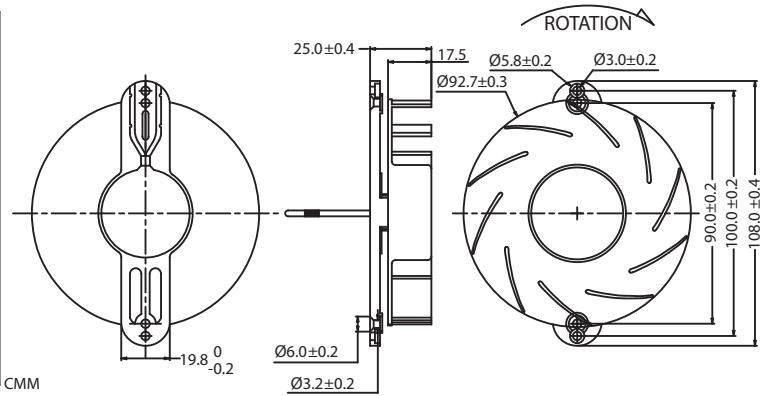
### OPTIONAL FEATURES

Tachometer  
Temperature Sensor  
PWM  
Locked Rotor  
IP55

**AIR PRESSURE vs. AIR FLOW**



**DIMENSIONS DRAWING**



Units [mm]

Model Number	Rated Voltage	Operating Voltage	Rated Current	Actual Current	Rated Power	Rated Speed	Maximum Air Flow		Maximum Static Air Pressure		Noise Level
	[V]	[V]	[A]	[A]	[W]	[RPM]	[CMM]	[CFM]	[mmH <sub>2</sub> O]	[inH <sub>2</sub> O]	[dBA]
FB9225LL12B IV	12	8~13.8	0.10	0.06	1.20	1200	0.23	8.06	1.37	0.05	20.10
FB9225L12B IV	12	8~13.8	0.18	0.08	2.16	1600	0.29	10.18	2.34	0.09	27.80
FB9225M12B IV	12	8~13.8	0.28	0.16	3.36	2000	0.41	14.29	4.19	0.17	33.30
FB9225H12B IV	12	8~13.8	0.50	0.28	6.00	2400	0.47	16.60	5.98	0.24	38.00
FB9225HH12B IV	12	8~13.8	0.90	0.58	10.80	2800	0.56	19.93	8.33	0.33	42.10
FB9225LL24B IV	24	18~27.6	0.08	0.03	1.92	1200	0.23	8.06	1.37	0.05	20.10
FB9225L24B IV	24	12~27.6	0.12	0.06	2.88	1600	0.29	10.18	2.34	0.09	27.80
FB9225M24B IV	24	12~27.6	0.18	0.10	4.32	2000	0.41	14.29	4.19	0.17	33.30
FB9225H24B IV	24	12~27.6	0.25	0.15	6.00	2400	0.47	16.60	5.98	0.24	38.00
FB9225HH24B IV	24	12~27.6	0.35	0.23	8.40	2800	0.56	19.93	8.33	0.33	42.10

\*\* Specifications are subject to change without notice.

WWW.COFAN-USA.COM



46177 Warm Springs Blvd, Fremont, CA 94539

TEL (800) 766-6097, (510) 490-7533 | FAX (510) 490-7931 | info@cofan-usa.com