

DC BRUSHLESS FAN



52557



E195760



RoHS
compliant
2002/95/EC

92X92X25 V



BLOWER FAN

BEARING TYPE

2-Ball Bearing
70K hours* at 40 °C
* Based on estimated MTBF

TEMPERATURE

Storage: -40 ~ +70 °C
Operating: -10 ~ +70 °C

MATERIAL

Impeller: PBT85% + FIBER15% (UL 94V-0)
Frame: PBT70% + FIBER30% (UL 94V-0)

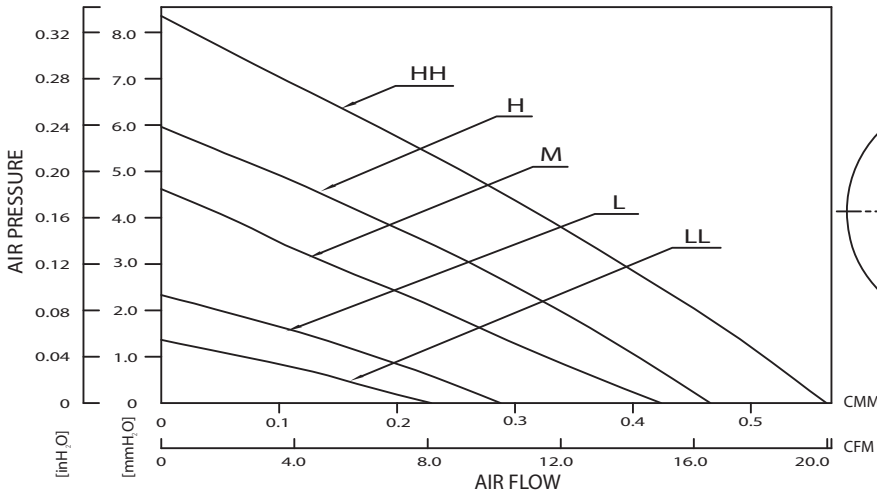
LEAD WIRES 12" wire
UL 1007, AWG #26/28

WEIGHT
58.0 Grams (2.05 oz.)

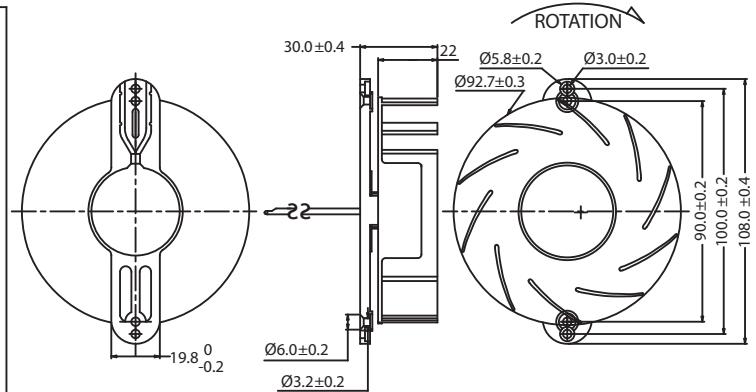
OPTIONAL FEATURES

Tachometer
Temperature Sensor
PWM
Locked Rotor
IP55

AIR PRESSURE vs. AIR FLOW



DIMENSIONS DRAWING



Units [mm]

Model Number	Rated Voltage	Operating Voltage	Rated Current	Actual Current	Rated Power	Rated Speed	Maximum Air Flow		Maximum Static Air Pressure		Noise Level
	[V]	[V]	[A]	[A]	[W]	[RPM]	[CMM]	[CFM]	[mmH ₂ O]	[inH ₂ O]	[dBA]
FB9225LL12B V	12	8~13.8	0.10	0.08	1.20	1200	0.35	12.17	2.13	0.08	21.80
FB9225L12B V	12	8~13.8	0.18	0.12	2.16	1600	0.43	15.18	3.99	0.16	26.60
FB9225M12B V	12	8~13.8	0.28	0.21	3.36	2000	0.57	19.97	6.13	0.24	33.40
FB9225H12B V	12	8~13.8	0.50	0.36	6.00	2400	0.65	23.02	9.50	0.37	38.20
FB9225HH12B V	12	8~13.8	0.90	0.71	10.80	2800	0.75	26.61	13.26	0.52	41.90
FB9225LL24B V	24	18~27.6	0.08	0.03	1.92	1200	0.35	12.17	2.13	0.08	21.80
FB9225L24B V	24	12~27.6	0.12	0.06	2.88	1600	0.43	15.18	3.99	0.16	26.60
FB9225M24B V	24	12~27.6	0.18	0.10	4.32	2000	0.57	19.97	6.13	0.24	33.40
FB9225H24B V	24	12~27.6	0.25	0.15	6.00	2400	0.65	23.02	9.50	0.37	38.20
FB9225HH24B V	24	12~27.6	0.35	0.23	8.40	2800	0.75	26.61	13.26	0.52	41.90

** Specifications are subject to change without notice.

WWW.COFAN-USA.COM



46177 Warm Springs Blvd, Fremont, CA 94539

TEL (800) 766-6097, (510) 490-7533 | FAX (510) 490-7931 | info@cofan-usa.com