

DC BRUSHLESS FAN



52557



E195760



RoHS
compliant
2002/95/EC

97X97X33



BLOWER FAN

BEARING TYPE

2-Ball Bearing
70K hours* at 40 °C
* Based on estimated MTBF

TEMPERATURE

Storage: -40 ~ +70 °C
Operating: -10 ~ +70 °C

MATERIAL

Impeller: PBT85% + FIBER15% (UL 94V-0)
Frame: PBT70% + FIBER30% (UL 94V-0)

LEAD WIRES

12" wire
UL 1007, AWG #26/28

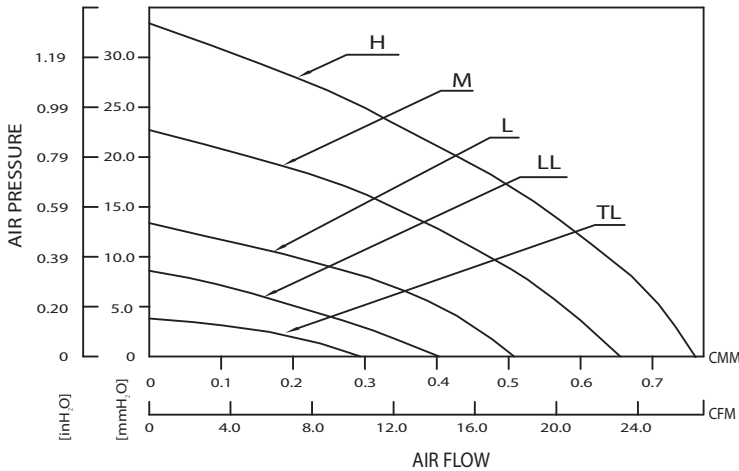
WEIGHT

142.0 Grams (5.01 oz.)

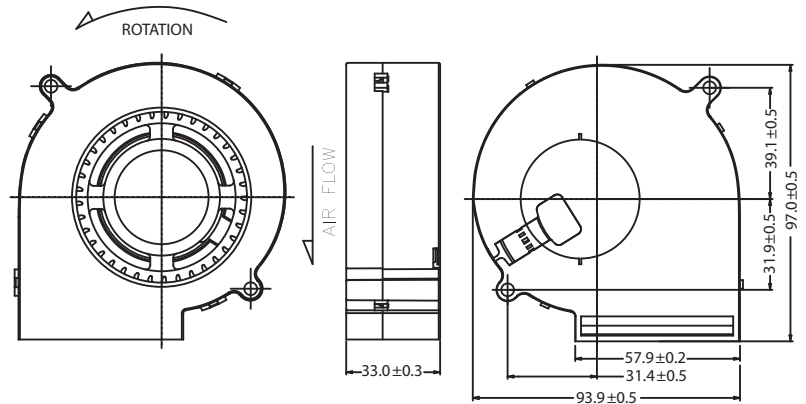
OPTIONAL FEATURES

Tachometer
Temperature Sensor
PWM
Locked Rotor
IP55

AIR PRESSURE vs. AIR FLOW



DIMENSIONS DRAWING



Units [mm]

Model Number	Rated Voltage	Operating Voltage	Rated Current	Actual Current	Rated Power	Rated Speed	Maximum Air Flow		Maximum Static Air Pressure		Noise Level
	[V]	[V]	[A]	[A]	[W]	[RPM]	[CMM]	[CFM]	[mmH ₂ O]	[inH ₂ O]	[dBA]
FB9733TL12B	12	8~13.8	0.12	0.08	1.44	1500	0.29	10.39	3.81	0.15	33.30
FB9733LL12B	12	8~13.8	0.21	0.14	2.52	2000	0.40	14.24	8.62	0.34	43.00
FB9733L12B	12	8~13.8	0.36	0.29	4.32	2500	0.51	17.96	12.52	0.49	49.90
FB9733M12B	12	8~13.8	0.65	0.53	7.80	3000	0.66	23.19	22.62	0.89	53.80
FB9733H12B	12	8~13.8	1.05	0.90	12.60	3500	0.76	26.84	33.71	1.33	59.20
FB9733TL24B	24	18~27.6	0.08	0.07	1.92	1500	0.29	10.39	3.81	0.15	33.30
FB9733LL24B	24	12~27.6	0.13	0.11	3.12	2000	0.40	14.24	8.62	0.34	43.00
FB9733L24B	24	12~27.6	0.26	0.19	6.24	2500	0.51	17.96	12.52	0.49	49.90
FB9733M24B	24	12~27.6	0.40	0.35	9.60	3000	0.66	23.19	22.62	0.89	53.80
FB9733H24B	24	12~27.6	0.58	0.51	13.92	3500	0.76	26.84	33.71	1.33	59.20
FB9733TL48B	48	38~52.8	0.06	0.04	2.88	1500	0.29	10.39	3.81	0.15	33.30
FB9733LL48B	48	38~52.8	0.08	0.06	3.84	2000	0.40	14.24	8.62	0.34	43.00
FB9733L48B	48	38~52.8	0.12	0.11	5.76	2500	0.51	17.96	12.52	0.49	49.90
FB9733M48B	48	38~52.8	0.22	0.19	10.56	3000	0.66	23.19	22.62	0.89	53.80
FB9733H48B	48	38~52.8	0.35	0.30	16.80	3500	0.76	26.84	33.71	1.33	59.20

** Specifications are subject to change without notice.

WWW.COFAN-USA.COM



46177 Warm Springs Blvd, Fremont, CA 94539

TEL (800) 766-6097, (510) 490-7533 | FAX (510) 490-7931 | info@cofan-usa.com