

DC BRUSHLESS FAN



52557



E195760



RoHS
compliant
2002/95/EC

25X25X10 I



AXIAL FAN

BEARING TYPE

2-Ball Bearing
70K hours* at 40 °C
* Based on estimated MTBF

TEMPERATURE

Storage: -40 ~ +70 °C
Operating: -10 ~ +70 °C

MATERIAL

Impeller: PBT85% + FIBER15% (UL 94V-0)
Frame: PBT85% + FIBER15% (UL 94V-0)

LEAD WIRES

6" wire
UL 1007, AWG #28/30

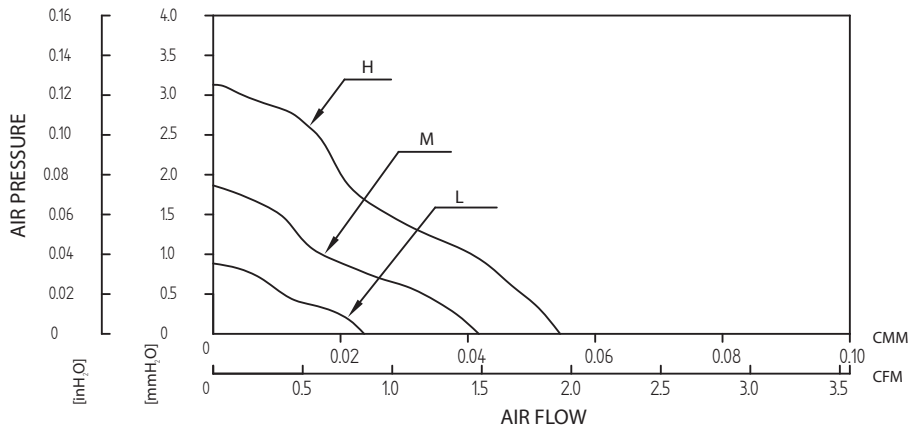
WEIGHT

8 Grams (0.28 oz.)

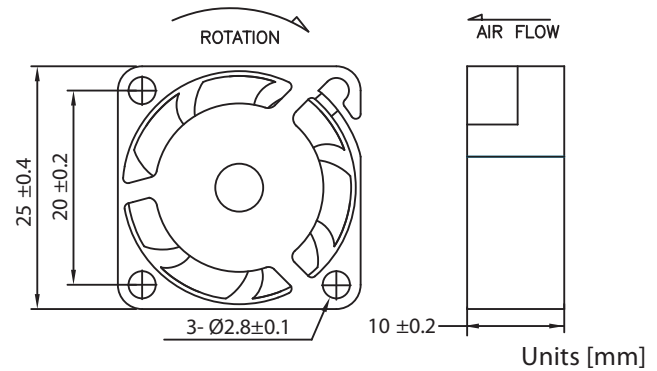
OPTIONAL FEATURES

Tachometer
Temperature Sensor
PWM
Locked Rotor
IP55

AIR PRESSURE vs. AIR FLOW



DIMENSIONS DRAWING



Model Number	Rated Voltage	Operating Voltage	Rated Current	Actual Current	Rated Power	Rated Speed	Maximum Air Flow		Maximum Static Air Pressure		Noise Level
	[V]	[V]	[A]	[A]	[W]	[RPM]	[CMM]	[CFM]	[mmH ₂ O]	[inH ₂ O]	[dBA]
F-2510L03B I	3.3	3~3.6	0.18	0.12	0.59	7000	0.02	0.83	0.89	0.04	19.40
F-2510M03B I	3.3	3~3.6	0.24	0.18	0.79	10000	0.04	1.47	1.86	0.07	22.10
F-2510H03B I	3.3	3~3.6	0.30	0.22	0.99	13000	0.06	1.93	3.15	0.12	27.80
F-2510L05B I	5	4.5~5.5	0.14	0.11	0.70	7000	0.02	0.83	0.89	0.04	19.40
F-2510M05B I	5	4.5~5.5	0.17	0.17	0.85	10000	0.04	1.47	1.86	0.07	22.10
F-2510H05B I	5	4.5~5.5	0.20	0.20	1.00	13000	0.06	1.93	3.15	0.12	27.80
F-2510L12B I	12	10.8~13.8	0.08	0.07	0.96	7000	0.02	0.83	0.89	0.04	19.40
F-2510M12B I	12	9~13.8	0.11	0.08	1.32	10000	0.04	1.47	1.86	0.07	22.10
F-2510H12B I	12	9~13.8	0.14	0.10	1.68	13000	0.06	1.93	3.15	0.12	27.80

** Specifications are subject to change without notice.

WWW.COFAN-USA.COM



46177 Warm Springs Blvd, Fremont, CA 94539

TEL (800) 766-6097, (510) 490-7533 | FAX (510) 490-7931 | info@cofan-usa.com