

DC BRUSHLESS FAN



52557

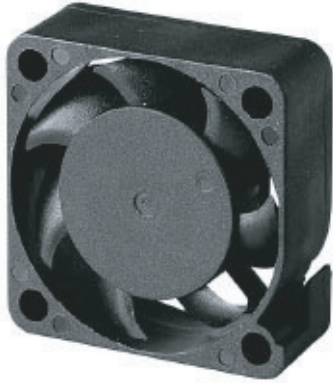


E195760



RoHS
compliant
2002/95/EC

30X30X10 II



AXIAL FAN

BEARING TYPE

2-Ball Bearing
70K hours* at 40 °C
* Based on estimated MTBF

TEMPERATURE

Storage: -40 ~ +70 °C
Operating: -10 ~ +70 °C

MATERIAL

Impeller: PBT85% + FIBER15% (UL 94V-0)
Frame: PBT85% + FIBER15% (UL 94V-0)

LEAD WIRES

6" wire
UL 1007, AWG #28/30

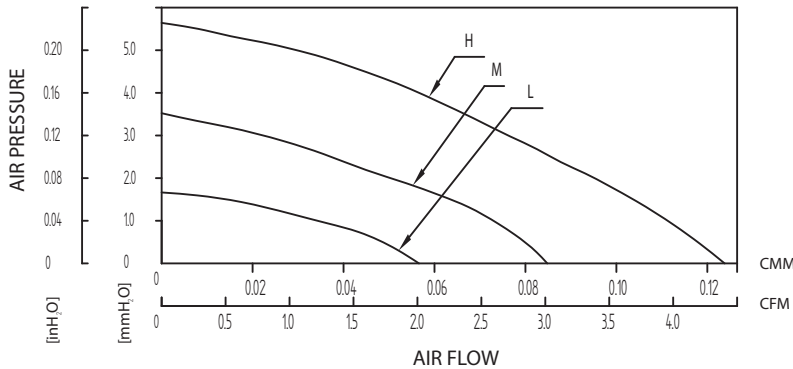
WEIGHT

7.8 Grams (0.28 oz.)

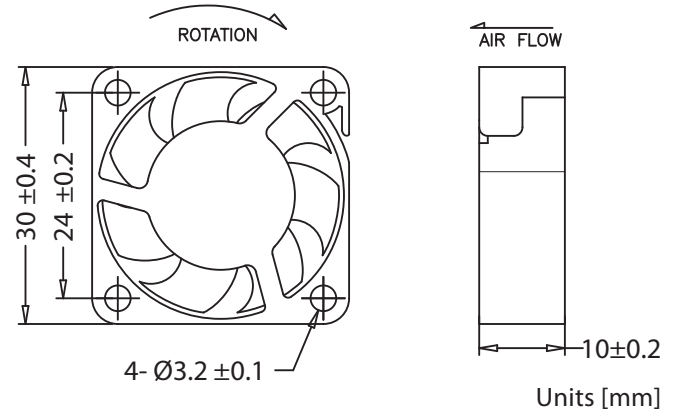
OPTIONAL FEATURES

Tachometer
Temperature Sensor
PWM
Locked Rotor
IP55

AIR PRESSURE vs. AIR FLOW



DIMENSIONS DRAWING



Model Number	Rated Voltage	Operating Voltage	Rated Current	Actual Current	Rated Power	Rated Speed	Maximum Air Flow		Maximum Static Air Pressure		Noise Level
	[V]	[V]	[A]	[A]	[W]	[RPM]	[CMM]	[CFM]	[mmH ₂ O]	[inH ₂ O]	[dBA]
F-3010L03B II	3.3	3~3.6	0.18	0.11	0.59	6000	0.06	2.04	1.73	0.07	20.10
F-3010M03B II	3.3	3~3.6	0.24	0.23	0.79	8500	0.09	3.00	3.52	0.14	24.80
F-3010H03B II	3.3	3~3.6	0.30	0.28	0.99	11000	0.12	4.32	5.73	0.23	31.60
F-3010L05B II	5	4.5~5.5	0.14	0.07	0.70	6000	0.06	2.04	1.73	0.07	20.10
F-3010M05B II	5	4.5~5.5	0.17	0.14	0.85	8500	0.09	3.00	3.52	0.14	24.80
F-3010H05B II	5	4.5~5.5	0.20	0.19	1.00	11000	0.12	4.32	5.73	0.23	31.60
F-3010L12B II	12	10.8~13.8	0.08	0.05	0.96	6000	0.06	2.04	1.73	0.07	20.10
F-3010M12B II	12	9~13.8	0.11	0.08	1.32	8500	0.09	3.00	3.52	0.14	24.80
F-3010H12B II	12	9~13.8	0.14	0.09	1.68	11000	0.12	4.32	5.73	0.23	31.60

** Specifications are subject to change without notice.

WWW.COFAN-USA.COM



46177 Warm Springs Blvd, Fremont, CA 94539

TEL (800) 766-6097, (510) 490-7533 | FAX (510) 490-7931 | info@cofan-usa.com