

# DC BRUSHLESS FAN



52557



E195760



**RoHS**  
compliant  
2002/95/EC

## 40X40X07



AXIAL FAN

### BEARING TYPE

1 Ball Bearing  
52K hours\* at 40 °C  
\* Based on estimated MTBF

### TEMPERATURE

Storage: -40 ~ +70 °C  
Operating: -10 ~ +70 °C

### MATERIAL

Impeller: PBT85% + FIBER15% (UL 94V-0)  
Frame: PBT85% + FIBER15% (UL 94V-0)

### LEAD WIRES

6" wire  
UL 1007, AWG #28/30

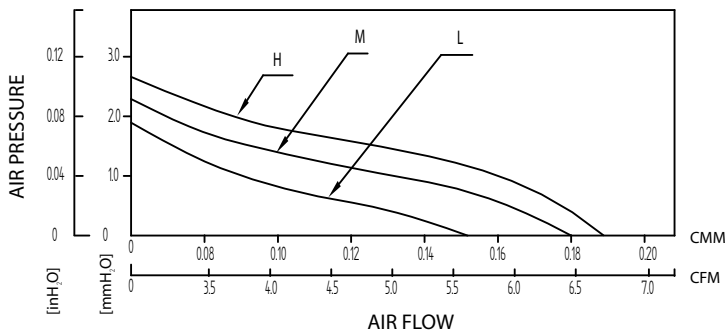
### WEIGHT

8 Grams (0.28 oz.)

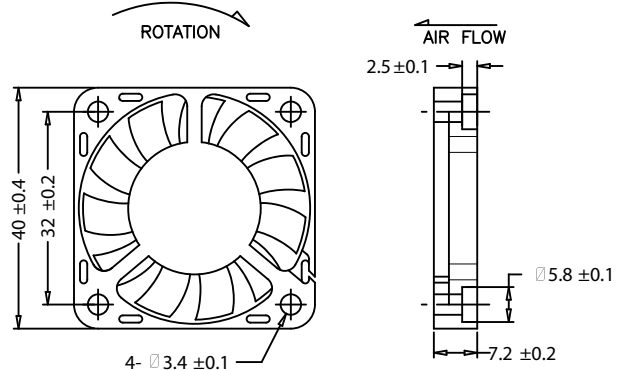
### OPTIONAL FEATURES

Tachometer  
Temperature Sensor  
PWM  
Locked Rotor  
IP55

**AIR PRESSURE vs. AIR FLOW**



**DIMENSIONS DRAWING**



Units [mm]

Model Number	Rated Voltage	Operating Voltage	Rated Current	Actual Current	Rated Power	Rated Speed	Maximum Air Flow		Maximum Static Air Pressure		Noise Level
	[V]	[V]	[A]	[A]	[W]	[RPM]	[CMM]	[CFM]	[mmH <sub>2</sub> O]	[inH <sub>2</sub> O]	[dBA]
F-4007L05C	5	4.5~5.5	0.14	0.12	0.70	5000	0.16	5.52	1.88	0.07	25.30
F-4007M05C	5	4.5~5.5	0.20	0.17	1.00	6000	0.18	6.36	2.22	0.09	30.90
F-4007H05C	5	4.5~5.5	0.26	0.24	1.30	7000	0.19	6.66	2.59	0.10	33.60
F-4007L12C	12	10.8~13.8	0.08	0.07	0.96	5000	0.16	5.52	1.88	0.07	25.30
F-4007M12C	12	9~13.8	0.12	0.08	1.44	6000	0.18	6.36	2.22	0.09	30.90
F-4007H12C	12	9~13.8	0.16	0.12	1.92	7000	0.19	6.66	2.59	0.10	33.60

\*\* Specifications are subject to change without notice.

WWW.COFAN-USA.COM



46177 Warm Springs Blvd, Fremont, CA 94539

TEL (800) 766-6097, (510) 490-7533 | FAX (510) 490-7931 | info@cofan-usa.com