

DC BRUSHLESS FAN



52557



E195760



RoHS
compliant
2002/95/EC

40X40X10 II



AXIAL FAN

BEARING TYPE

2-Ball Bearing
70K hours* at 40 °C
* Based on estimated MTBF

TEMPERATURE

Storage: -40 ~ +70 °C
Operating: -10 ~ +70 °C

MATERIAL

Impeller: PBT85% + FIBER15% (UL 94V-0)
Frame: PBT85% + FIBER15% (UL 94V-0)

LEAD WIRES

12" wire
UL 1007, AWG #26/28

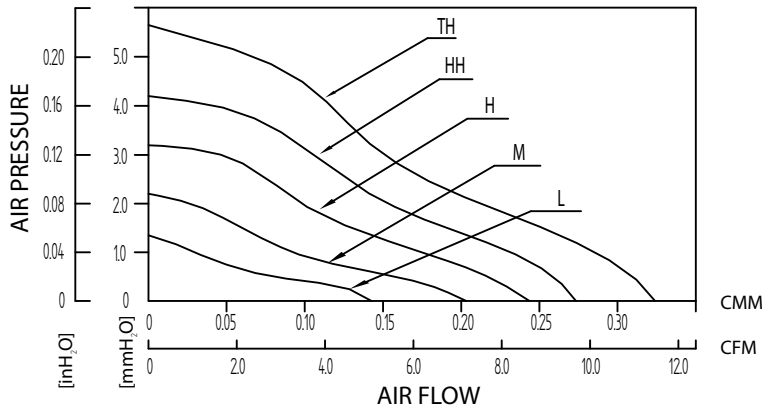
WEIGHT

11 Grams (0.39 oz.)

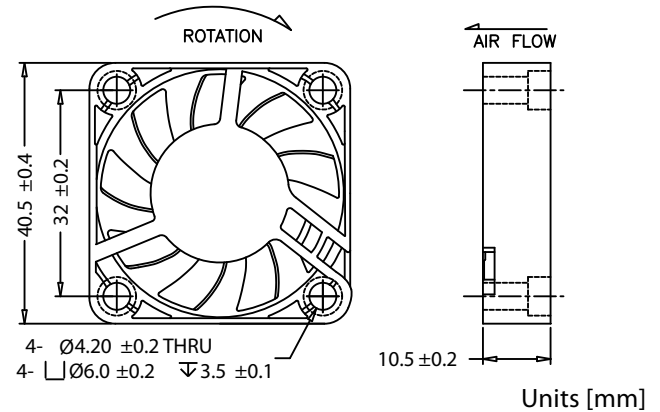
OPTIONAL FEATURES

Tachometer
Temperature Sensor
PWM
Locked Rotor
IP55

AIR PRESSURE vs. AIR FLOW



DIMENSIONS DRAWING



Model Number	Rated Voltage	Operating Voltage	Rated Current	Actual Current	Rated Power	Rated Speed	Maximum Air Flow		Maximum Static Air Pressure		Noise Level
	[V]	[V]	[A]	[A]	[W]	[RPM]	[CMM]	[CFM]	[mmH ₂ O]	[inH ₂ O]	[dBA]
F-4010L05B II	5	4.5~6	0.16	0.09	0.80	4000	0.15	5.39	1.42	0.06	20.70
F-4010M05B II	5	4.5~6	0.19	0.13	0.95	5000	0.20	7.21	2.10	0.08	23.80
F-4010H05B II	5	4.5~6	0.42	0.22	2.10	6000	0.24	8.50	3.12	0.12	28.00
F-4010L12B II	12	9~13.8	0.14	0.06	1.68	4000	0.15	5.39	1.42	0.06	20.70
F-4010M12B II	12	6~13.8	0.16	0.09	1.92	5000	0.20	7.21	2.10	0.08	23.80
F-4010H12B II	12	6~13.8	0.18	0.13	2.16	6000	0.24	8.50	3.12	0.12	28.00
F-4010HH12B II	12	6~13.8	0.20	0.16	2.40	7000	0.25	8.90	4.15	0.16	34.00

** Specifications are subject to change without notice.

WWW.COFAN-USA.COM



46177 Warm Springs Blvd, Fremont, CA 94539

TEL (800) 766-6097, (510) 490-7533 | FAX (510) 490-7931 | info@cofan-usa.com