

DC BRUSHLESS FAN



52557



E195760



RoHS
compliant
2002/95/EC

40X40X20 I



AXIAL FAN

BEARING TYPE

2-Ball Bearing
70K hours* at 40 °C
* Based on estimated MTBF

TEMPERATURE

Storage: -40 ~ +70 °C
Operating: -10 ~ +70 °C

MATERIAL

Impeller: PBT85% + FIBER15% (UL 94V-0)
Frame: PBT85% + FIBER15% (UL 94V-0)

LEAD WIRES

12" wire
UL 1007, AWG #26/28

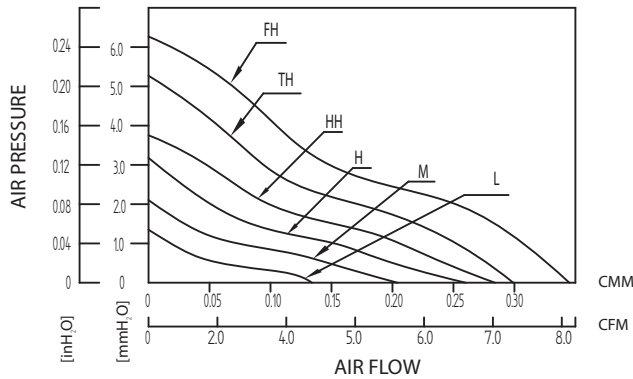
WEIGHT

34 Grams (1.2 oz.)

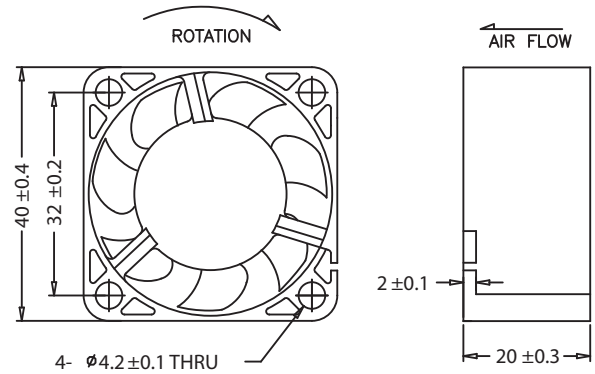
OPTIONAL FEATURES

Tachometer
Temperature Sensor
PWM
Locked Rotor
IP55

AIR PRESSURE vs. AIR FLOW



DIMENSIONS DRAWING



Units [mm]

Model Number	Rated Voltage	Operating Voltage	Rated Current	Actual Current	Rated Power	Rated Speed	Maximum Air Flow		Maximum Static Air Pressure		Noise Level
	[V]	[V]	[A]	[A]	[W]	[RPM]	[CMM]	[CFM]	[mmH ₂ O]	[inH ₂ O]	[dBA]
F-4020L05B I	5	4.5~5.5	0.26	0.08	1.30	4000	0.13	4.73	1.32	0.05	20.10
F-4020M05B I	5	4.5~5.5	0.32	0.11	1.60	5000	0.20	7.20	2.13	0.08	24.00
F-4020H05B I	5	4.5~5.5	0.38	0.15	1.90	6000	0.25	8.84	3.06	0.12	26.80
F-4020HH05B I	5	4.5~5.5	0.44	0.28	2.20	7000	0.28	9.92	3.72	0.15	32.00
F-4020TH05B I	5	4.5~5.5	0.50	0.43	2.50	8000	0.30	10.56	5.33	0.21	36.30
F-4020FH05B I	5	4.5~5.5	0.56	0.50	2.80	9000	0.35	12.24	6.22	0.25	39.50
F-4020L12B I	12	8~13.8	0.12	0.05	1.44	4000	0.13	4.73	1.32	0.05	20.10
F-4020M12B I	12	8~13.8	0.16	0.06	1.92	5000	0.20	7.20	2.13	0.08	24.00
F-4020H12B I	12	8~13.8	0.20	0.08	2.40	6000	0.25	8.84	3.06	0.12	26.80
F-4020HH12B I	12	8~13.8	0.24	0.11	2.88	7000	0.28	9.92	3.72	0.15	32.00
F-4020TH12B I	12	8~13.8	0.28	0.16	3.36	8000	0.30	10.56	5.33	0.21	36.30
F-4020FH12B I	12	8~13.8	0.32	0.20	3.84	9000	0.35	12.24	6.22	0.25	39.50
F-4020L24B I	24	20~27.6	0.07	0.03	1.68	4000	0.13	4.73	1.32	0.05	20.10
F-4020M24B I	24	18~27.6	0.09	0.06	2.16	5000	0.20	7.20	2.13	0.08	24.00
F-4020H24B I	24	18~27.6	0.11	0.07	2.64	6000	0.25	8.84	3.06	0.12	26.80
F-4020HH24B I	24	18~27.6	0.13	0.09	3.12	7000	0.28	9.92	3.72	0.15	32.00
F-4020TH24B I	24	18~27.6	0.15	0.11	3.60	8000	0.30	10.56	5.33	0.21	36.30
F-4020FH24B I	24	18~27.6	0.17	0.14	4.08	9000	0.35	12.24	6.22	0.25	39.50

** Specifications are subject to change without notice.

WWW.COFAN-USA.COM



46177 Warm Springs Blvd, Fremont, CA 94539

TEL (800) 766-6097, (510) 490-7533 | FAX (510) 490-7931 | info@cofan-usa.com