

DC BRUSHLESS FAN



52557



E195760



RoHS
compliant
2002/95/EC

60X60X10 II



AXIAL FAN

BEARING TYPE

2-Ball Bearing
70K hours* at 40 °C
* Based on estimated MTBF

TEMPERATURE

Storage: -40 ~ +70 °C
Operating: -10 ~ +70 °C

MATERIAL

Impeller: PBT85% + FIBER15% (UL 94V-0)
Frame: PBT85% + FIBER15% (UL 94V-0)

LEAD WIRES

12" wire
UL 1007, AWG #26/28

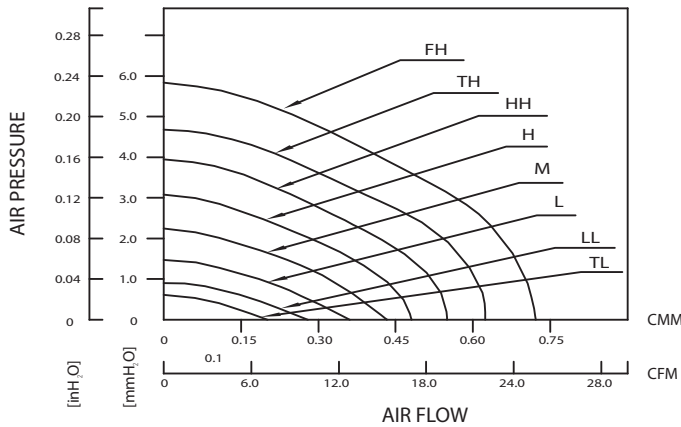
WEIGHT

13 Grams (0.46 oz.)

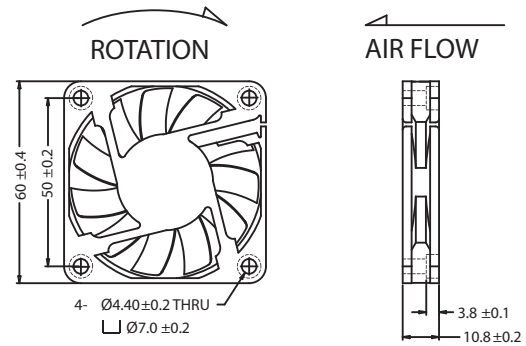
OPTIONAL FEATURES

Tachometer
Temperature Sensor
PWM
Locked Rotor
IP55

AIR PRESSURE vs. AIR FLOW



DIMENSIONS DRAWING



Units [mm]

Model Number	Rated Voltage	Operating Voltage	Rated Current	Actual Current	Rated Power	Rated Speed	Maximum Air Flow		Maximum Static Air Pressure		Noise Level
	[V]	[V]	[A]	[A]	[W]	[RPM]	[CMM]	[CFM]	[mmH ₂ O]	[inH ₂ O]	[dBA]
F-6010L05B II	5	4~5.5	0.35	0.17	1.75	3000	0.35	12.25	1.50	0.06	27.20
F-6010M05B II	5	4~5.5	0.45	0.34	2.25	3600	0.40	14.04	2.18	0.09	32.20
F-6010H05B II	5	4~5.5	0.55	0.43	2.75	4200	0.48	16.78	3.01	0.12	36.70
F-6010TL12B II	12	10.8~13.8	0.05	0.02	0.60	1800	0.22	7.62	0.55	0.02	15.30
F-6010LL12B II	12	10.8~13.8	0.10	0.05	1.20	2400	0.29	10.16	0.97	0.04	21.60
F-6010L12B II	12	8~13.8	0.15	0.07	1.80	3000	0.35	12.25	1.50	0.06	27.20
F-6010M12B II	12	6~13.8	0.20	0.12	2.40	3600	0.40	14.04	2.18	0.09	32.20
F-6010H12B II	12	6~13.8	0.25	0.17	3.00	4200	0.48	16.78	3.01	0.12	36.70
F-6010HH12B II	12	6~13.8	0.30	0.25	3.60	4800	0.54	18.90	3.97	0.16	40.40
F-6010TH12B II	12	6~13.8	0.35	0.35	4.20	5400	0.61	21.47	4.77	0.19	43.10
F-6010FH12B II	12	6~13.8	0.40	0.62	4.80	6000	0.69	24.38	5.87	0.23	44.80
F-6010L24B II	24	18~27.6	0.10	0.06	2.40	3000	0.35	12.25	1.50	0.06	27.20
F-6010M24B II	24	12~27.6	0.13	0.07	3.12	3600	0.40	14.04	2.18	0.09	32.20
F-6010H24B II	24	12~27.6	0.16	0.09	3.84	4200	0.48	16.78	3.01	0.12	36.70
F-6010HH24B II	24	12~27.6	0.19	0.13	4.56	4800	0.54	18.90	3.97	0.16	40.40

** Specifications are subject to change without notice.

WWW.COFAN-USA.COM



46177 Warm Springs Blvd, Fremont, CA 94539

TEL (800) 766-6097, (510) 490-7533 | FAX (510) 490-7931 | info@cofan-usa.com