

DC BRUSHLESS FAN



52557



E195760



RoHS
compliant
2002/95/EC

60X60X15 I



AXIAL FAN

BEARING TYPE

2-Ball Bearing
70K hours* at 40 °C
* Based on estimated MTBF

TEMPERATURE

Storage: -40 ~ +70 °C
Operating: -10 ~ +70 °C

MATERIAL

Impeller: PBT85% + FIBER15% (UL 94V-0)
Frame: PBT70% + FIBER30% (UL 94V-0)

LEAD WIRES

12" wire
UL 1007, AWG #26/28

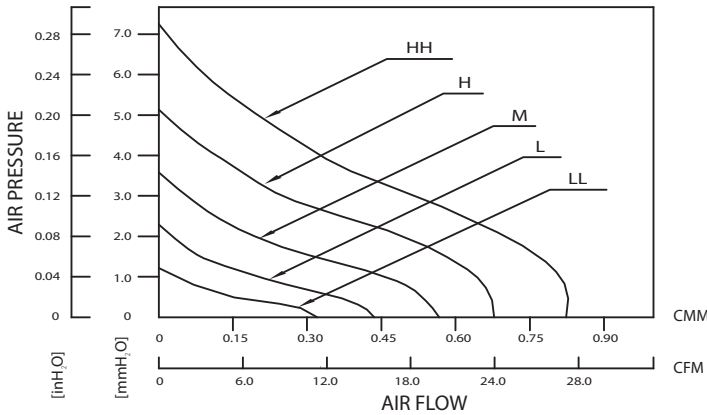
WEIGHT

41 Grams (1.45 oz.)

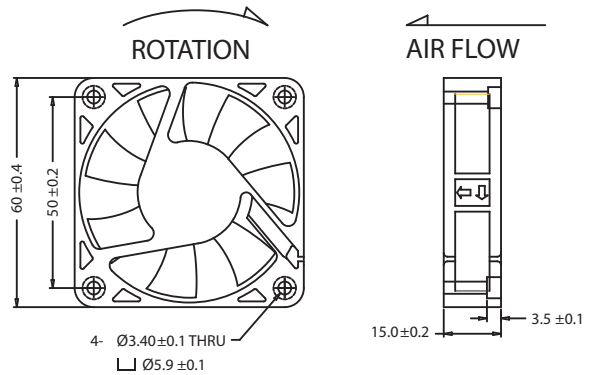
OPTIONAL FEATURES

Tachometer
Temperature Sensor
PWM
Locked Rotor
IP55

AIR PRESSURE vs. AIR FLOW



DIMENSIONS DRAWING



Units [mm]

Model Number	Rated Voltage	Operating Voltage	Rated Current	Actual Current	Rated Power	Rated Speed	Maximum Air Flow		Maximum Static Air Pressure		Noise Level
	[V]	[V]	[A]	[A]	[W]	[RPM]	[CMM]	[CFM]	[mmH ₂ O]	[inH ₂ O]	[dBA]
F-6015L05B I	5	4~5.5	0.55	0.12	2.75	3000	0.44	15.38	2.21	0.09	24.80
F-6015M05B I	5	4~5.5	0.70	0.26	3.50	3800	0.57	20.08	3.67	0.14	30.70
F-6015H05B I	5	4~5.5	0.85	0.36	4.25	4600	0.69	24.31	5.05	0.20	36.10
F-6015L12B I	12	6~13.8	0.15	0.06	1.80	3000	0.44	15.38	2.21	0.09	24.80
F-6015M12B I	12	6~13.8	0.25	0.12	3.00	3800	0.57	20.08	3.67	0.14	30.70
F-6015H12B I	12	6~13.8	0.35	0.18	4.20	4600	0.69	24.31	5.05	0.20	36.10
F-6015HH12B I	12	6~13.8	0.45	0.24	5.40	5400	0.83	29.32	7.17	0.28	40.30
F-6015L24B I	24	12~27.6	0.10	0.05	2.40	3000	0.44	15.38	2.21	0.09	24.80
F-6015M24B I	24	12~27.6	0.15	0.08	3.60	3800	0.57	20.08	3.67	0.14	30.70
F-6015H24B I	24	12~27.6	0.20	0.11	4.80	4600	0.69	24.31	5.05	0.20	36.10
F-6015HH24B I	24	12~27.6	0.25	0.16	6.00	5400	0.83	29.32	7.17	0.28	40.30

** Specifications are subject to change without notice.

WWW.COFAN-USA.COM



46177 Warm Springs Blvd, Fremont, CA 94539

TEL (800) 766-6097, (510) 490-7533 | FAX (510) 490-7931 | info@cofan-usa.com