

# DC BRUSHLESS FAN



52557



E195760



**RoHS**  
compliant  
2002/95/EC

## 60X60X15 II



AXIAL FAN

### BEARING TYPE

2-Ball Bearing  
70K hours\* at 40 °C  
\* Based on estimated MTBF

### TEMPERATURE

Storage: -40 ~ +70 °C  
Operating: -10 ~ +70 °C

### MATERIAL

Impeller: PBT85% + FIBER15% (UL 94V-0)  
Frame: PBT70% + FIBER30% (UL 94V-0)

### LEAD WIRES

12" wire  
UL 1007, AWG #26/28

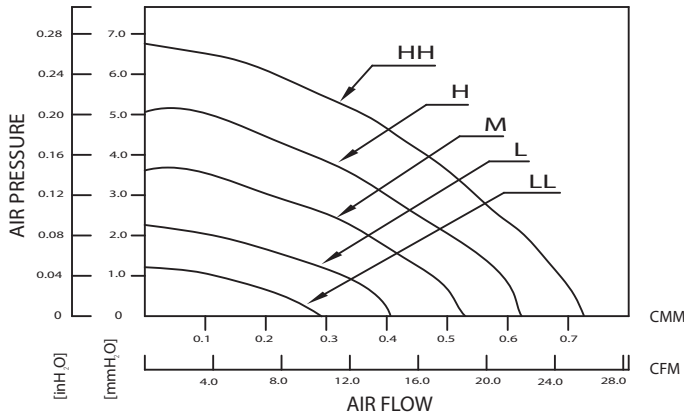
### WEIGHT

36 Grams (1.27 oz.)

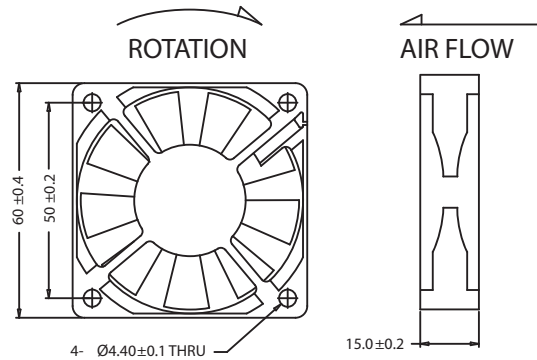
### OPTIONAL FEATURES

Tachometer  
Temperature Sensor  
PWM  
Locked Rotor  
IP55

**AIR PRESSURE vs. AIR FLOW**



**DIMENSIONS DRAWING**



Units [mm]

Model Number	Rated Voltage	Operating Voltage	Rated Current	Actual Current	Rated Power	Rated Speed	Maximum Air Flow		Maximum Static Air Pressure		Noise Level
	[V]	[V]	[A]	[A]	[W]	[RPM]	[CMM]	[CFM]	[mmH <sub>2</sub> O]	[inH <sub>2</sub> O]	[dBA]
F-6015LL12B II	12	9~13.8	0.08	0.05	0.96	2200	0.30	10.47	1.24	0.05	20.70
F-6015L12B II	12	8~13.8	0.15	0.10	1.80	3000	0.41	14.50	2.24	0.09	27.10
F-6015M12B II	12	8~13.8	0.25	0.15	3.00	3800	0.52	18.38	3.63	0.14	33.00
F-6015H12B II	12	8~13.8	0.35	0.21	4.20	4600	0.62	22.02	5.01	0.20	38.60
F-6015HH12B II	12	8~13.8	0.45	0.32	5.40	5400	0.74	26.11	6.87	0.27	44.00

\*\* Specifications are subject to change without notice.

WWW.COFAN-USA.COM



46177 Warm Springs Blvd, Fremont, CA 94539

TEL (800) 766-6097, (510) 490-7533 | FAX (510) 490-7931 | info@cofan-usa.com