

DC BRUSHLESS FAN



52557



E195760



RoHS
compliant
2002/95/EC

60X60X20



AXIAL FAN

BEARING TYPE

2-Ball Bearing
70K hours* at 40 °C
* Based on estimated MTBF

TEMPERATURE

Storage: -40 ~ +70 °C
Operating: -10 ~ +70 °C

MATERIAL

Impeller: PBT85% + FIBER15% (UL 94V-0)
Frame: PBT70% + FIBER30% (UL 94V-0)

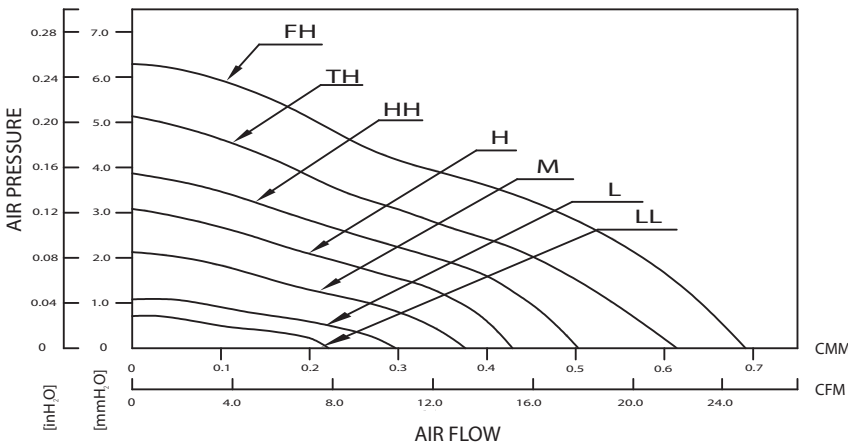
LEAD WIRES 12" wire
UL 1007, AWG #24/26

WEIGHT
41 Grams (1.45 oz.)

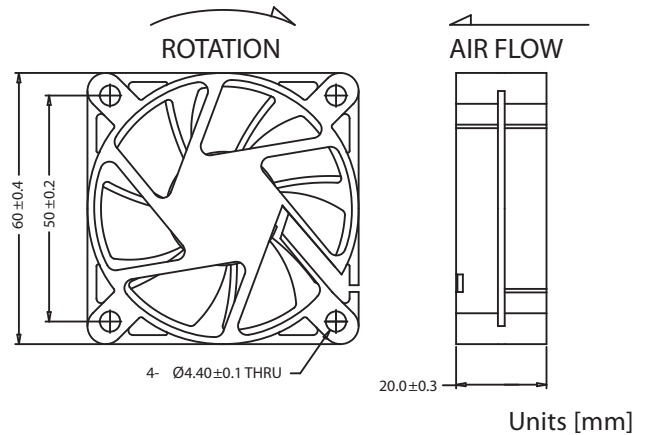
OPTIONAL FEATURES

Tachometer
Temperature Sensor
PWM
Locked Rotor
IP55

AIR PRESSURE vs. AIR FLOW



DIMENSIONS DRAWING



Model Number	Rated Voltage	Operating Voltage	Rated Current	Actual Current	Rated Power	Rated Speed	Maximum Air Flow		Maximum Static Air Pressure		Noise Level
	[V]	[V]	[A]	[A]	[W]	[RPM]	[CMM]	[CFM]	[mmH ₂ O]	[inH ₂ O]	[dBA]
F-6020L05B	5	4~5.5	0.18	0.10	0.90	2900	0.30	10.50	1.09	0.04	22.20
F-6020M05B	5	4~5.5	0.24	0.18	1.20	3500	0.38	13.25	2.12	0.08	25.60
F-6020H05B	5	4~5.5	0.30	0.25	1.50	4100	0.50	17.81	3.08	0.12	29.70
F-6020LL12B	12	8~13.8	0.10	0.04	1.20	2300	0.23	8.11	0.73	0.03	19.80
F-6020L12B	12	8~13.8	0.12	0.05	1.44	2900	0.30	10.50	1.09	0.04	22.20
F-6020M12B	12	6~13.8	0.14	0.08	1.68	3500	0.38	13.25	2.12	0.08	25.60
F-6020H12B	12	6~13.8	0.16	0.10	1.92	4100	0.44	15.52	3.08	0.12	29.70
F-6020LL24B	24	18~27.6	0.06	0.04	1.44	2300	0.23	8.11	0.73	0.03	19.80
F-6020L24B	24	18~27.6	0.08	0.04	1.92	2900	0.30	10.50	1.09	0.04	22.20
F-6020M24B	24	18~27.6	0.10	0.07	2.40	3500	0.38	13.25	2.12	0.08	25.60
F-6020H24B	24	12~27.6	0.12	0.08	2.88	4100	0.44	15.52	3.08	0.12	29.70
F-6020HH24B	24	12~27.6	0.13	0.09	3.12	4700	0.50	17.79	3.92	0.15	33.00
F-6020TH24B	24	12~27.6	0.15	0.11	3.60	5300	0.62	21.71	5.05	0.20	36.40
F-6020FH24B	24	12~27.6	0.18	0.15	4.32	5900	0.69	24.21	6.26	0.25	39.00

** Specifications are subject to change without notice.

WWW.COFAN-USA.COM



46177 Warm Springs Blvd, Fremont, CA 94539

TEL (800) 766-6097, (510) 490-7533 | FAX (510) 490-7931 | info@cofan-usa.com