

DC BRUSHLESS FAN



52557



E195760



RoHS
compliant
2002/95/EC

70X70X15 I



AXIAL FAN

BEARING TYPE

2-Ball Bearing
70K hours* at 40 °C
* Based on estimated MTBF

TEMPERATURE

Storage: -40 ~ +70 °C
Operating: -10 ~ +70 °C

MATERIAL

Impeller: PBT85% + FIBER15% (UL 94V-0)
Frame: PBT70% + FIBER30% (UL 94V-0)

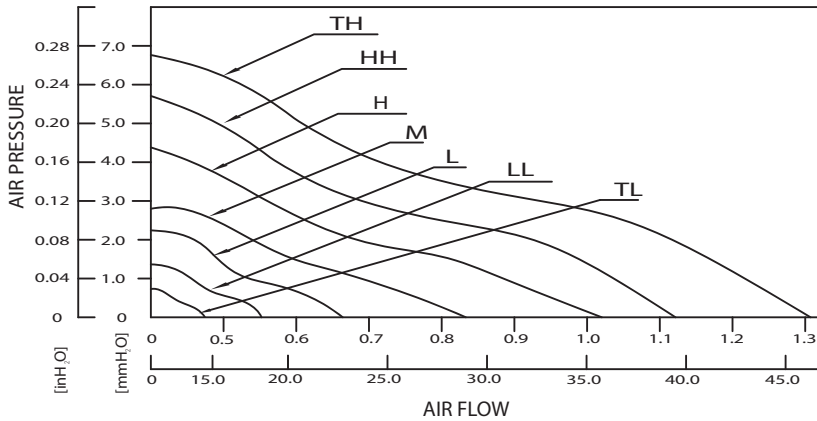
LEAD WIRES 12" wire
UL 1007, AWG #24/26

WEIGHT
57 Grams (2.01 oz.)

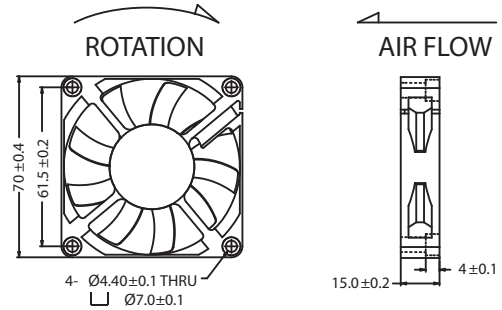
OPTIONAL FEATURES

Tachometer
Temperature Sensor
PWM
Locked Rotor
IP55

AIR PRESSURE vs. AIR FLOW



DIMENSIONS DRAWING



Units [mm]

Model Number	Rated Voltage	Operating Voltage	Rated Current	Actual Current	Rated Power	Rated Speed	Maximum Air Flow		Maximum Static Air Pressure		Noise Level
	[V]	[V]	[A]	[A]	[W]	[RPM]	[CMM]	[CFM]	[mmH ₂ O]	[inH ₂ O]	[dBA]
F-7015TL07B I	7	6~8	0.07	0.05	0.49	1400	0.35	12.29	0.65	0.03	19.10
F-7015LL07B I	7	6~8	0.10	0.06	0.70	2000	0.54	19.21	1.20	0.05	22.00
F-7015TL12B I	12	8~13.8	0.07	0.05	0.84	1400	0.35	12.29	0.65	0.03	19.10
F-7015LL12B I	12	8~13.8	0.10	0.08	1.20	2000	0.54	19.21	1.20	0.05	22.00
F-7015L12B I	12	6~13.8	0.15	0.10	1.80	2600	0.69	24.22	2.10	0.08	27.50
F-7015M12B I	12	6~13.8	0.25	0.15	3.00	3200	0.83	29.23	2.87	0.11	32.40
F-7015H12B I	12	6~13.8	0.40	0.24	4.80	3800	1.02	35.94	4.27	0.17	37.20
F-7015HH12B I	12	6~13.8	0.50	0.29	6.00	4400	1.18	41.62	5.73	0.23	40.70
F-7015TH12B I	12	6~13.8	0.60	0.38	7.20	5000	1.31	46.19	6.85	0.27	44.90
F-7015L24B I	24	12~27.6	0.10	0.08	2.40	2600	0.69	24.22	2.10	0.08	27.50
F-7015M24B I	24	12~27.6	0.15	0.09	3.60	3200	0.83	29.23	2.87	0.11	32.40
F-7015H24B I	24	12~27.6	0.20	0.13	4.80	3800	1.02	35.94	4.27	0.17	37.20
F-7015HH24B I	24	12~27.6	0.30	0.24	7.20	4400	1.18	41.62	5.73	0.23	40.70

** Specifications are subject to change without notice.

WWW.COFAN-USA.COM



46177 Warm Springs Blvd, Fremont, CA 94539

TEL (800) 766-6097, (510) 490-7533 | FAX (510) 490-7931 | info@cofan-usa.com