

# DC BRUSHLESS FAN



52557



E195760



**RoHS**  
compliant  
2002/95/EC

## 30X30X10 I



### BEARING TYPE

2-Ball Bearing  
70K hours\* at 40 °C  
\* Based on estimated MTBF

### TEMPERATURE

Storage: -40 ~ +70 °C  
Operating: -10 ~ +70 °C

### MATERIAL

Impeller: PBT85% + FIBER15% (UL 94V-0)  
Frame: PBT85% + FIBER15% (UL 94V-0)

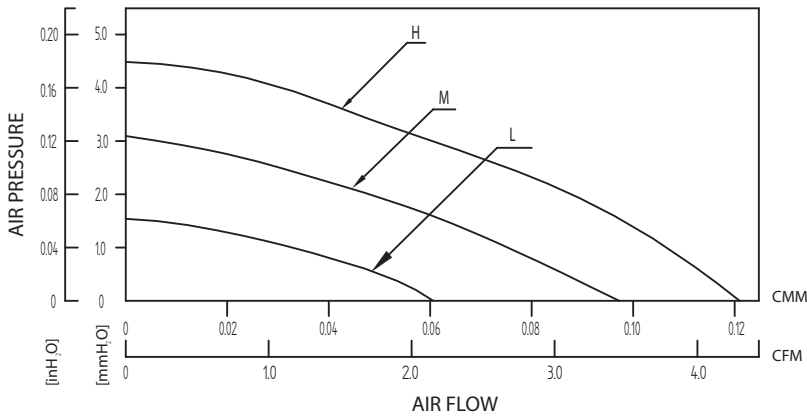
**LEAD WIRES** 6" wire  
UL 1007, AWG #28/30

**WEIGHT**  
9 Grams (0.32 oz.)

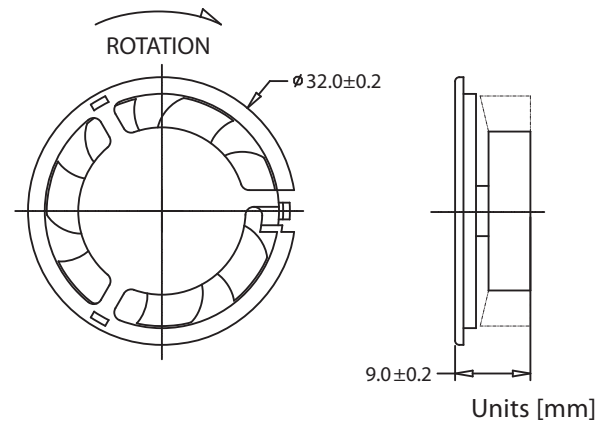
### OPTIONAL FEATURES

Tachometer  
Temperature Sensor  
PWM  
Locked Rotor  
IP55

**AIR PRESSURE vs. AIR FLOW**



**DIMENSIONS DRAWING**



Model Number	Rated Voltage	Operating Voltage	Rated Current	Actual Current	Rated Power	Rated Speed	Maximum Air Flow		Maximum Static Air Pressure		Noise Level
	[V]	[V]	[A]	[A]	[W]	[RPM]	[CMM]	[CFM]	[mmH <sub>2</sub> O]	[inH <sub>2</sub> O]	[dBA]
F-3010L03B I	3.3	3~3.6	0.18	0.15	0.59	6000	0.06	2.18	1.61	0.06	20.50
F-3010M03B I	3.3	3~3.6	0.24	0.21	0.79	8500	0.10	3.47	3.05	0.12	26.10
F-3010H03B I	3.3	3~3.6	0.30	0.28	0.99	11000	0.12	4.36	4.41	0.17	30.80
F-3010L05B I	5	4.5~5.5	0.14	0.10	0.70	6000	0.06	2.18	1.61	0.06	20.50
F-3010M05B I	5	4.5~5.5	0.17	0.14	0.85	8500	0.10	3.47	3.05	0.12	26.10
F-3010H05B I	5	4.5~5.5	0.20	0.18	1.00	11000	0.12	4.36	4.41	0.17	30.80
F-3010L12B I	12	10.8~13.8	0.08	0.05	0.96	6000	0.06	2.18	1.61	0.06	20.50
F-3010M12B I	12	9~13.8	0.11	0.08	1.32	8500	0.10	3.47	3.05	0.12	26.10
F-3010H12B I	12	9~13.8	0.14	0.11	1.68	11000	0.12	4.36	4.41	0.17	30.80

\*\* Specifications are subject to change without notice.

WWW.COFAN-USA.COM



46177 Warm Springs Blvd, Fremont, CA 94539

TEL (800) 766-6097, (510) 490-7533 | FAX (510) 490-7931 | info@cofan-usa.com