

# DC BRUSHLESS FAN



52557



E195760



**RoHS**  
compliant  
2002/95/EC

## 50X50X10 IV



FRAMELESS FAN

### BEARING TYPE

2-Ball Bearing  
70K hours\* at 40 °C  
\* Based on estimated MTBF

### TEMPERATURE

Storage: -40 ~ +70 °C  
Operating: -10 ~ +70 °C

### MATERIAL

Impeller: PBT85% + FIBER15% (UL 94V-0)  
Frame: PBT85% + FIBER15% (UL 94V-0)

### LEAD WIRES

12" wire  
UL 1007, AWG #26/28

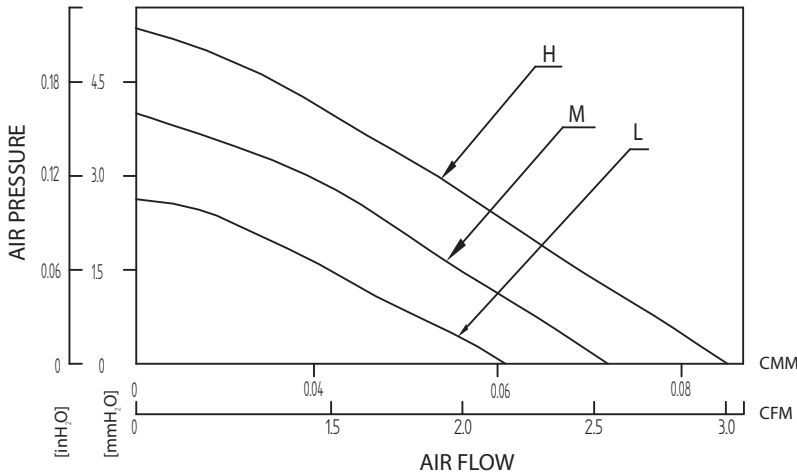
### WEIGHT

9 Grams (0.32 oz.)

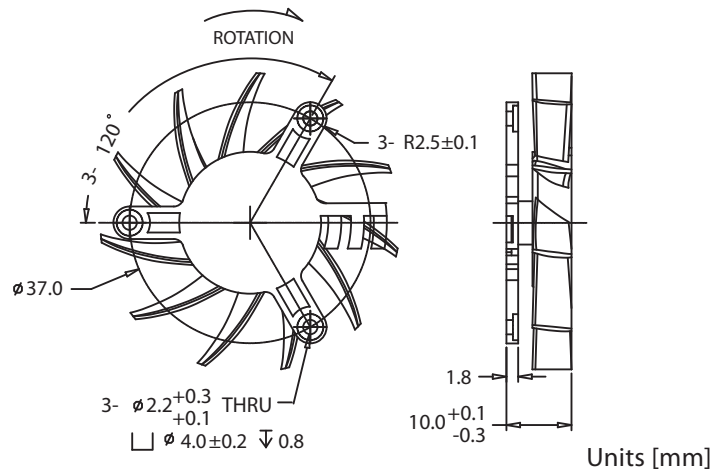
### OPTIONAL FEATURES

Tachometer  
Temperature Sensor  
PWM  
Locked Rotor  
IP55

**AIR PRESSURE vs. AIR FLOW**



**DIMENSIONS DRAWING**



Model Number	Rated Voltage	Operating Voltage	Rated Current	Actual Current	Rated Power	Rated Speed	Maximum Air Flow		Maximum Static Air Pressure		Noise Level
	[V]	[V]	[A]	[A]	[W]	[RPM]	[CMM]	[CFM]	[mmH <sub>2</sub> O]	[inH <sub>2</sub> O]	[dBA]
F-5010L12B IV	12	9~13.8	0.08	0.05	0.96	2500	0.06	2.16	2.61	0.10	19.46
F-5010M12B IV	12	9~13.8	0.11	0.06	1.32	3000	0.07	2.56	3.93	0.16	21.52
F-5010H12B IV	12	6~13.8	0.14	0.11	1.68	3500	0.09	2.99	5.35	0.21	23.75

\*\* Specifications are subject to change without notice.

WWW.COFAN-USA.COM



46177 Warm Springs Blvd, Fremont, CA 94539

TEL (800) 766-6097, (510) 490-7533 | FAX (510) 490-7931 | info@cofan-usa.com