

# DC BRUSHLESS FAN



52557



E195760



**RoHS**  
compliant  
2002/95/EC

## 70X70X10 III



### BEARING TYPE

2-Ball Bearing  
70K hours\* at 40 °C  
\* Based on estimated MTBF

### TEMPERATURE

Storage: -40 ~ +70 °C  
Operating: -10 ~ +70 °C

### MATERIAL

Impeller: PBT85% + FIBER15% (UL 94V-0)  
Frame: PBT70% + FIBER30% (UL 94V-0)

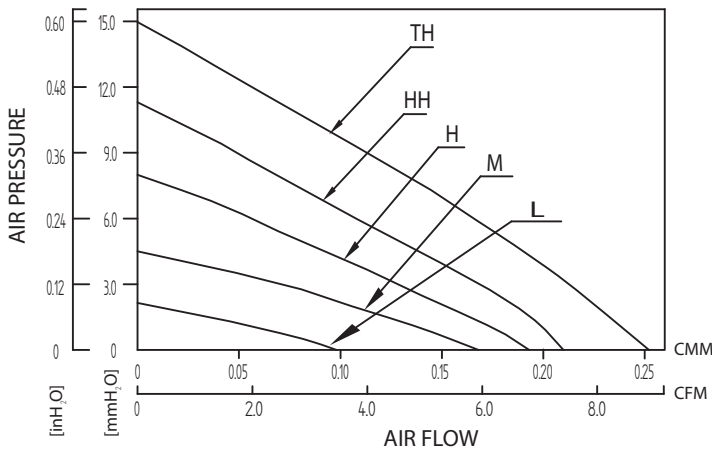
**LEAD WIRES** 12" wire  
UL 1007, AWG #26/28

**WEIGHT**  
16 Grams (0.56 oz.)

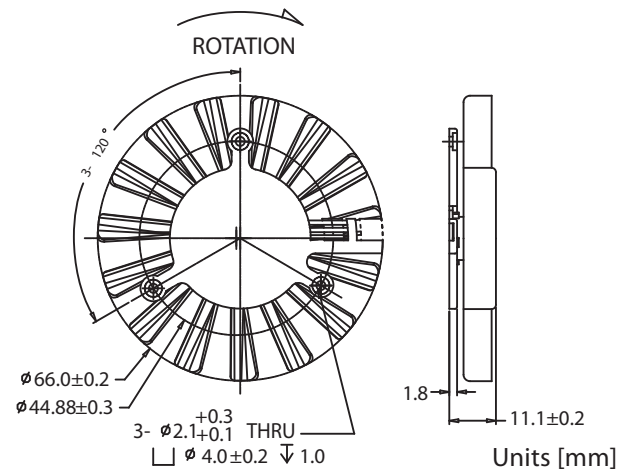
### OPTIONAL FEATURES

Tachometer  
Temperature Sensor  
PWM  
Locked Rotor  
IP55

**AIR PRESSURE vs. AIR FLOW**



**DIMENSIONS DRAWING**



Model Number	Rated Voltage	Operating Voltage	Rated Current	Actual Current	Rated Power	Rated Speed	Maximum Air Flow		Maximum Static Air Pressure		Noise Level
	[V]	[V]	[A]	[A]	[W]	[RPM]	[CMM]	[CFM]	[mmH <sub>2</sub> O]	[inH <sub>2</sub> O]	[dBA]
F-7010L12B III	12	9~13.8	0.20	0.04	2.40	1500	0.10	3.45	2.14	0.08	23.10
F-7010M12B III	12	6~13.8	0.25	0.10	3.00	2000	0.17	5.95	4.45	0.18	24.00
F-7010H12B III	12	6~13.8	0.30	0.14	3.60	2500	0.19	6.82	8.00	0.32	28.80
F-7010HH12B III	12	6~13.8	0.39	0.15	4.68	3000	0.21	7.32	11.30	0.45	32.60
F-7010TH12B III	12	6~13.8	0.44	0.25	5.28	3500	0.25	8.88	14.96	0.59	36.70

\*\* Specifications are subject to change without notice.

WWW.COFAN-USA.COM



46177 Warm Springs Blvd, Fremont, CA 94539

TEL (800) 766-6097, (510) 490-7533 | FAX (510) 490-7931 | info@cofan-usa.com