

DC BRUSHLESS FAN



52557



E195760



RoHS
compliant
2002/95/EC

92X92X25 II

BEARING TYPE

2-Ball Bearing
70K hours* at 40 °C
* Based on estimated MTBF

LEAD WIRES

12" wire
UL 1007, AWG #26/28

WEIGHT

60 Grams (2.12 oz.)

TEMPERATURE

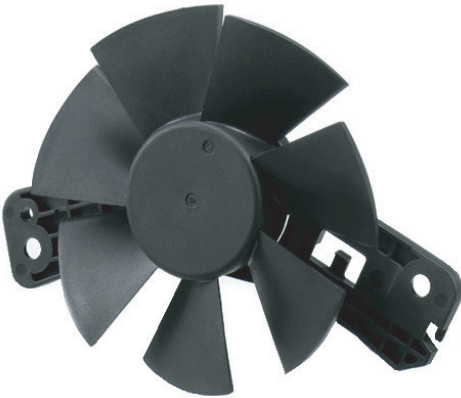
Storage: -40 ~ +70 °C
Operating: -10 ~ +70 °C

OPTIONAL FEATURES

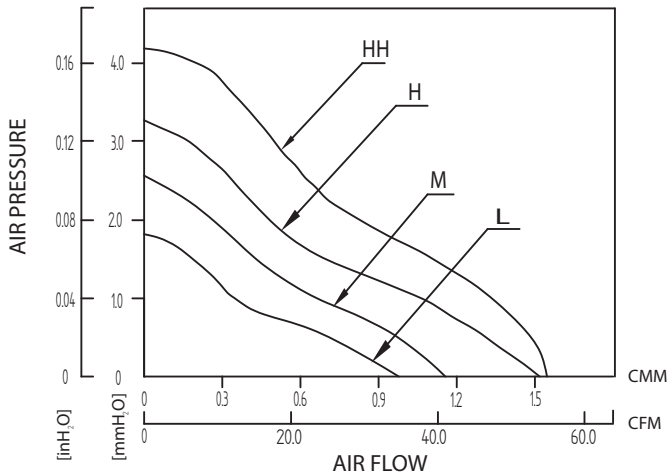
Tachometer
Temperature Sensor
PWM
Locked Rotor
IP55

MATERIAL

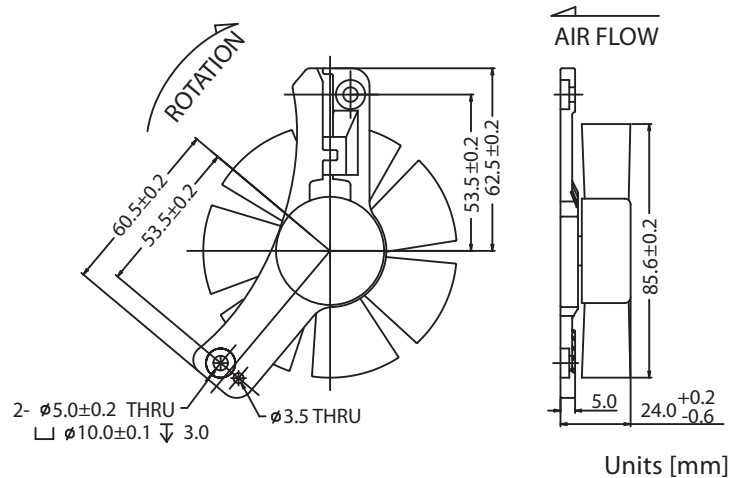
Impeller: PBT85% + FIBER15% (UL 94V-0)
Frame: PBT70% + FIBER30% (UL 94V-0)



AIR PRESSURE vs. AIR FLOW



DIMENSIONS DRAWING



Model Number	Rated Voltage	Operating Voltage	Rated Current	Actual Current	Rated Power	Rated Speed	Maximum Air Flow		Maximum Static Air Pressure		Noise Level
	[V]	[V]	[A]	[A]	[W]	[RPM]	[CMM]	[CFM]	[mmH ₂ O]	[inH ₂ O]	[dBA]
F-9225L12B II	12	8~13.8	0.24	0.08	2.88	2000	0.96	34.04	1.89	0.07	22.70
F-9225M12B II	12	8~13.8	0.28	0.13	3.36	2400	1.18	41.51	2.57	0.10	26.10
F-9225H12B II	12	8~13.8	0.32	0.23	3.84	2800	1.48	52.22	3.28	0.13	31.00
F-9225HH12B II	12	8~13.8	0.45	0.30	5.40	3200	1.56	55.17	4.32	0.17	34.20
F-9225L24B II	24	12~27.6	0.10	0.09	2.40	2000	0.96	34.04	1.89	0.07	22.70
F-9225M24B II	24	12~27.6	0.14	0.11	3.36	2400	1.18	41.51	2.57	0.10	26.10
F-9225H24B II	24	12~27.6	0.18	0.16	4.32	2800	1.48	52.22	3.28	0.13	31.00
F-9225HH24B II	24	12~27.6	0.30	0.18	7.20	3200	1.56	55.17	4.32	0.17	34.20

** Specifications are subject to change without notice.

WWW.COFAN-USA.COM



46177 Warm Springs Blvd, Fremont, CA 94539

TEL (800) 766-6097, (510) 490-7533 | FAX (510) 490-7931 | info@cofan-usa.com

FRAMELESS FAN