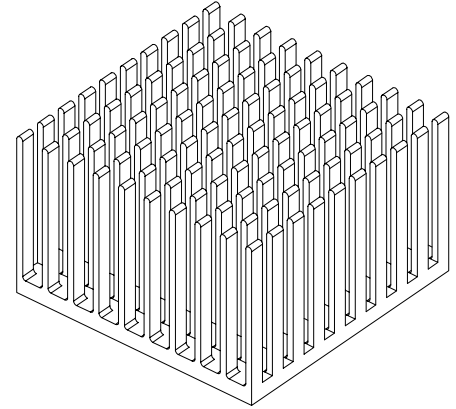
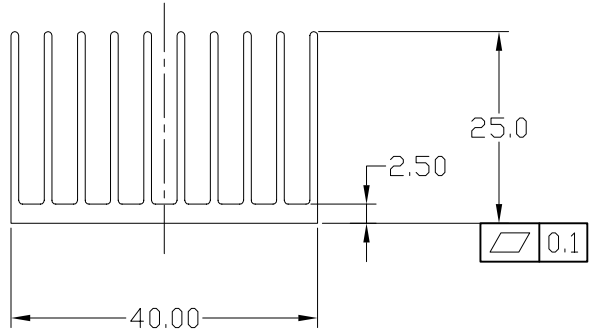
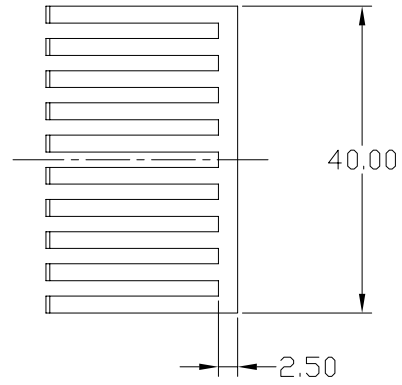
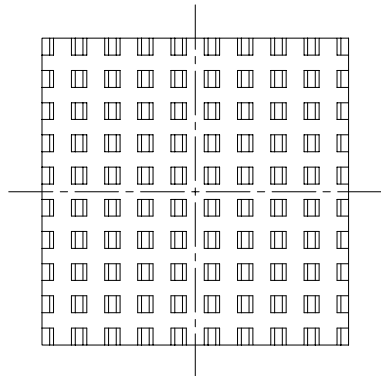



NOTICE - PROPRIETARY INFORMATION
 THE DESIGN AND RELATED INFORMATION CONTAINED HEREIN
 IS THE SOLE PROPERTY OF COFAN INC. THE DISCLOSURE
 OF THIS INFORMATION DOES NOT CONSTITUTE THE RELEASE OF
 ANY PROPRIETARY RIGHTS THEREIN. PERMISSION TO REPRODUCE
 THIS INFORMATION OR THE PRODUCTS DISCLOSED HEREIN
 MUST BE OBTAINED IN WRITING FROM COFAN INC.

To Place Order, use Cofan Part # 20-1047



DO NOT SCALE DRAWING UNLESS OTHERWISE SPECIFIED DIMENSIONS ARE IN MILLIMETRE TOLERANCES ARE: 1 PLACE .X ± 0.4 2 PLACE .XX ± 0.25 3 PLACE .XXX ± 0.13 ANGLES EXCEPT 90° ± 1° MAXIMUM SURFACE ROUGHNESS 125√	DRAWING NUMBER: 20-1047	 1400 FULTON PL. UNIT A FREMONT CA 94539 HEAT SINK	
	MATERIAL: AL 6063-T5		
	FINISH: BLACK ANODIZED	PART NUMBER: 20-1047	REV: X01
	DRAWN BY: DAN	SHEET: 1 OF 1	DATE DRAWN: 02-26-2003